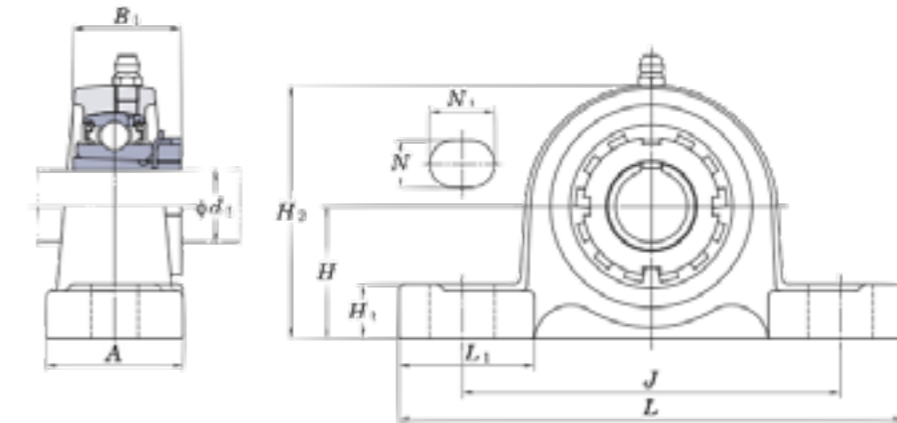
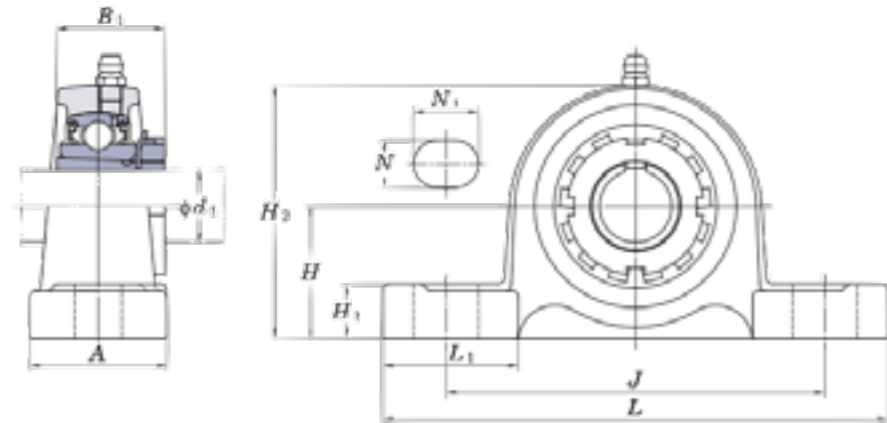


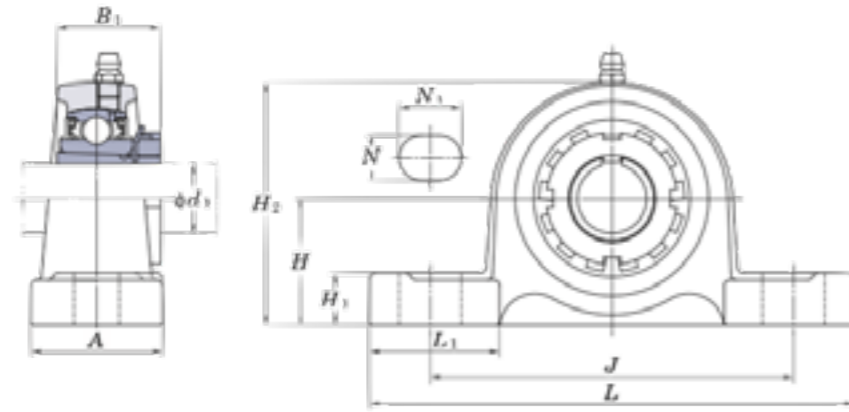
P200 Series

P200 Series

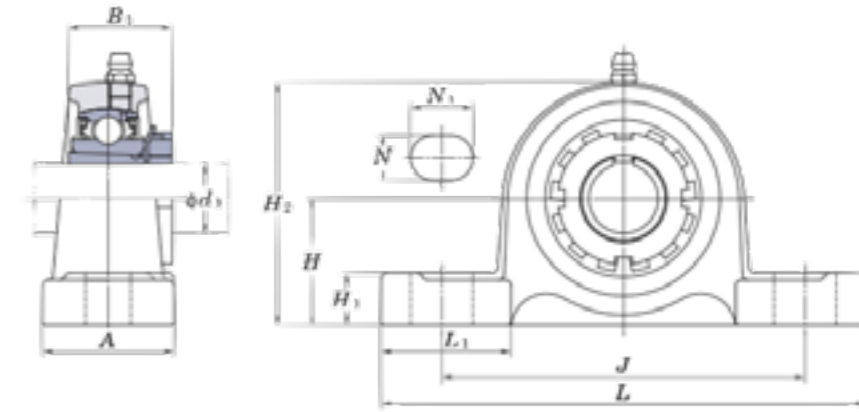


Housing Number	Dimensions												Dimensions										Bolt Size	
	H		L		A		J		N		N1		H1		H2		L1		B		S			
	mm	inch	mm	inch	mm	inch	mm	inch	mm	inch	mm	inch	mm	inch	mm	inch	mm	inch	mm	inch	mm	inch	mm	inch
P203	30.2	1.188	127	5	38	1.5	95	3.75	13	0.5	18	0.719	16	0.625	60	2.375	36	1.406	31	1.22	12.7	0.5	M10	0.375
P204	33.3	1.313	127	5	38	1.5	95	3.75	13	0.5	18	0.719	16	0.625	65	2.563	36	1.406	31	1.22	12.7	0.5	M10	0.375
P205	36.5	1.433	140	5.5	38	1.5	105	4.125	13	0.5	18	0.719	16	0.625	70	2.75	38	1.5	34.1	1.343	14.3	0.563	M10	0.375
P206	42.9	1.688	165	6.5	48	1.875	121	4.75	17	0.656	21	0.813	17	0.656	84	3.313	48	1.875	38.1	1.5	15.9	0.626	M14	0.5
P207	47.6	1.875	167	6.563	48	1.875	127	5	17	0.656	21	0.813	18	0.719	95	3.375	47	1.844	42.9	1.689	17.5	0.689	M14	0.5
P208	49.2	1.937	184	7.25	54	2.125	137	5.406	17	0.656	21	0.813	18	0.719	98	3.843	53	2.093	49.2	1.937	19	0.748	M14	0.5
P209	54	2.125	190	7.468	54	2.125	146	5.75	17	0.656	21	0.813	20	0.781	106	4.188	55	2.156	49.2	1.937	19	0.748	M14	0.5
P210	57.2	2.25	206	8.125	60	2.375	159	6.25	20	0.781	22	0.875	21	0.813	113	4.438	60	2.375	51.6	2.031	19	0.748	M16	0.625
P211	63.5	2.5	219	8.625	60	2.375	171	6.719	20	0.781	22	0.875	23	0.906	125	4.906	65	2.563	55.6	2.189	22.2	0.874	M16	0.625
P212	69.8	2.75	241	9.5	70	2.75	184	7.25	20	0.781	25	0.969	25	0.969	138	5.438	73	2.875	65	2.563	25.4	1	M16	0.625
P213	76.2	3	265	10.438	70	2.75	203	8	25	0.969	30	1.188	27	1.063	150	5.906	78	3.063	65.1	2.563	25.4	1	M20	0.75
P214	79.4	3.125	266	10.469	72	2.844	210	8.281	25	0.969	30	1.188	27	1.063	157	6.188	75	2.938	74.6	2.937	30.2	1.189	M20	0.75
P215	82.6	3.25	275	10.813	74	2.906	217	8.531	25	0.969	30	1.188	28	1.094	162	6.375	78	3.063	77.8	3.063	33.3	1.311	M20	0.75
P216	88.9	3.5	292	11.5	78	3.063	232	9.125	25	0.969	35	1.375	30	1.188	174	6.844	83	3.281	82.6	3.252	33.3	1.311	M20	0.75
P217	95.2	3.75	310	12.219	83	3.281	247	9.719	25	0.969	35	1.375	32	1.25	185	7.281	87	3.438	85.7	3.374	34.1	1.343	M20	0.75
P218	101.6	4	327	12.875	88	3.469	262	10.313	27	1.063	40	1.563	33	1.313	198	7.781	94	3.688	96	3.78	39.7	1.563	M22	0.875

P300 Series



P300 Series



Housing Number	Dimensions												Dimensions										Bolt Size	
	H		L		A		J		N		N1		H1		H2		L1		B		S			
	mm	inch	mm	inch	mm	inch	mm	inch	mm	inch	mm	inch	mm	inch	mm	inch	mm	inch	mm	inch	mm	inch	mm	inch
P305	45	1 49/64	175	6 7/8	45	1 3/4	132	5 3/16	17	21/32	20	25/32	16	5/8	85	3 11/32	55	2 5/32	38	1.496	15	0.591	M14	1/2
P306	50	1 31/32	180	7 3/32	50	1 31/32	140	5 1/2	17	21/32	20	25/32	17	21/32	95	3 3/4	53	2 3/32	43	1.693	17	0.669	M14	1/2
P307	56	2 13/64	210	8 9/32	56	2 7/32	160	6 5/16	17	21/32	25	31/32	19	3/4	107	4 7/32	65	2 9/16	48	1.89	19	0.748	M14	1/2
P308	60	2 23/64	220	8 21/32	60	2 3/8	170	6 11/16	17	21/32	27	1 1/16	19	3/4	118	4 21/32	65	2 9/16	52	2.047	19	0.748	M14	1/2
P309	67	2 41/64	245	9 21/32	67	2 5/8	190	7 15/32	20	25/32	30	1 3/16	21	13/16	132	5 3/16	75	2 15/16	57	2.244	22	0.866	M16	5/8
P310	75	2 61/64	275	10 13/16	75	2 15/16	212	8 11/32	20	25/32	35	1 3/8	24	15/16	148	5 13/16	88	3 15/32	61	2.402	22	0.866	M16	5/8
P311	80	3 5/32	310	12 7/32	80	3 5/32	236	9 9/32	20	25/32	38	1 1/2	27	1 1/16	158	6 7/32	90	3 17/32	66	2.598	25	0.984	M16	5/8
P312	85	3 11/32	330	13	85	3 11/32	250	9 27/32	25	31/32	38	1 1/2	29	1 5/32	167	6 9/16	103	4 1/16	71	2.795	26	1.024	M20	3/4
P313	90	3 35/64	340	13 3/8	90	3 17/32	260	10 1/4	25	31/32	38	1 1/2	32	1 1/4	176	6 15/16	110	4 11/32	75	2.953	30	1.181	M20	3/4
P314	95	3 47/64	360	14 3/16	90	3 17/32	280	11 1/32	27	1 1/16	40	1 9/16	35	1 3/8	186	7 5/16	110	4 11/32	78	3.071	33	1.299	M22	7/8
P315	100	3 15/16	380	14 31/32	100	3 15/16	290	11 13/32	27	1 1/16	40	1 9/16	35	1 3/8	198	7 25/32	107	4 7/32	82	3.228	32	1.26	M22	7/8
P316	106	4 11/64	400	15 3/4	110	4 11/32	300	11 13/16	27	1 1/16	40	1 9/16	35	1 3/8	209	8 7/32	120	4 23/32	86	3.386	34	1.339	M22	7/8
P317	112	4 13/32	420	16 17/32	110	4 11/32	320	12 19/32	33	1 5/16	45	1 25/32	40	1 9/16	220	8 21/32	120	4 23/32	96	3.78	40	1.575	M27	1
P318	118	4 41/64	430	16 15/16	110	4 11/32	330	13	33	1 5/16	45	1 25/32	40	1 9/16	234	9 7/32	120	4 23/32	96	3.78	40	1.575	M27	1
P320	140	5 33/64	490	19 9/32	120	4 23/32	380	14 31/32	36	1 13/32	50	1 31/32	46	1 13/16	273	10 3/4	140	5 1/2	108	4.252	42	1.654	M30	1 1/8
P322	150	5 29/32	520	20 15/32	140	5 1/2	400	15 3/4	40	1 9/16	55	2 5/32	50	1 31/32	296	11 21/32	150	5 29/32	117	4.606	46	1.811	M33	1 1/4
P324	160	6 19/64	570	22 7/16	140	5 1/2	450	17 23/32	40	1 9/16	55	2 5/32	50	1 31/32	316	12 7/16	160	6 5/16	126	4.961	51	2.008	M33	1 1/4
P326	180	7 3/32	600	23 5/8	140	5 1/2	480	18 29/32	40	1 9/16	55	2 5/32	50	1 31/32	355	13 21/32	195	7 11/16	135	5.315	54	2.126	M33	1 1/4
P328	200	7 7/8	620	24 13/32	140	5 1/2	500	19 11/16	40	1 9/16	55	2 5/32	60	2 3/8	393	15 15/32	185	7 9/32	145	5.709	59	2.323	M33	1 1/4