

Pacific Lever Blocks

The extensive range of Pacific Lever Blocks feature superior quality at an affordable price. They are suitable for applications in the mining, construction, transport and automotive industry.



Features:

- Designed in accordance with European Standard EN13157 & AS1418.2
- Free wheel and non-free wheel capability making it the safest block in the market
- "T" type hooks for improved load holding integrity with additional chain wear guides and guards
- New patented braking system to ensure the integrity of the load under all conditions
- Style cast hand wheel for added strength and durability
- Zero percent light loading
- Brake lockout function
- Fitted with galvanised grade 80 zinc plated chain
- No aluminium content which ensures suitability for mining applications.
- Encapsulated bearings to provide 25% less operator effort to lift the rated load
- Key internal components are now CNC machined for improved overall product reliability
- UV powder coated paint to protect against sun exposure
- Pacific Hoists is a carbon neutral company and Sedex member
- Overall better design and improved finish to prolong life expectancy.

The information shown is to be used as a guide only. Specifications are subject to change without notice. All materials handling or lifting jobs should be assessed individually. Pacific Hoists products are NOT to be used for lifting or lowering persons.

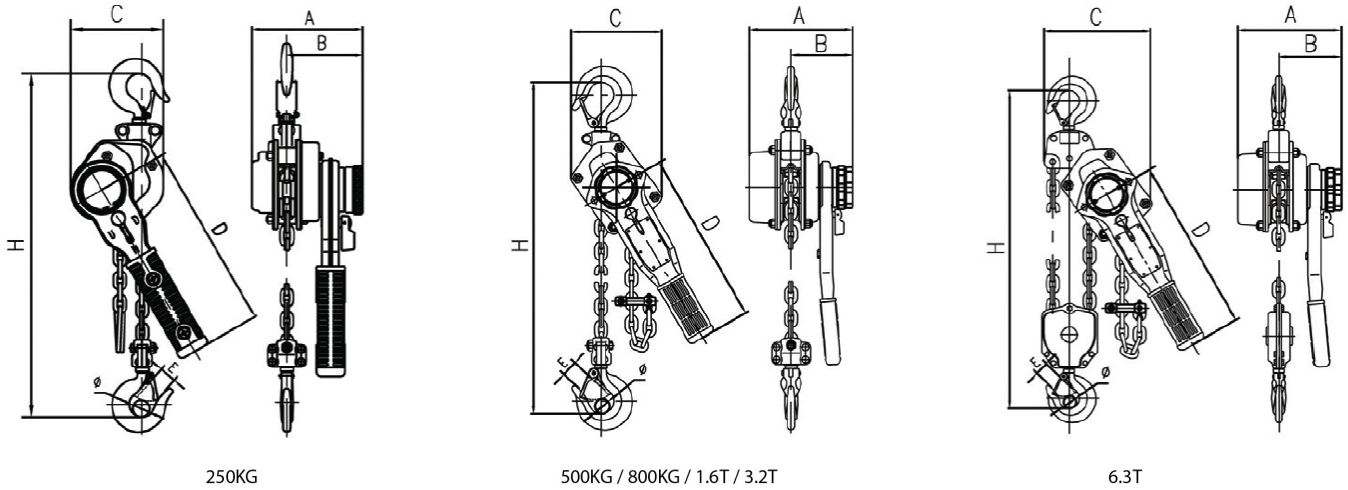
Specifications

Capacity	250 KG	800 KG	1.6 TONNE	3.2 TONNE	6.3 TONNE
Stock Code	PLB302	PLB408	PLB416	PLB432	PLB463
Lift Height (m)	1	1.5	1.5	1.5	1.5
Test Load (kg)	375	1200	2400	4800	9450
Effort to Lift Full Load (N)	227	285	315	360	370
No. of Falls	1	1	1	1	2
Load Chain (mm x mm)	Ø4 x 12	Ø5.6 x 17	Ø7.1 x 21	Ø10 x 28	Ø10 x 28
Length of Lever Handle (D) (mm)	168	273	378	418	418
Net Weight (kg)	1.9	5.8	9.5	16.8	21.5

*Pacific lever blocks with customised lift heights are available

The information shown is to be used as a guide only. Specifications are subject to change without notice. All materials handling or lifting jobs should be assessed individually. Pacific Hoists products are NOT to be used for lifting or lowering persons.

Dimensions (in mm)



CAPACITY	250 KG	800 KG	1.6 TONNE	3.2 TONNE	6.3 TONNE
A	100	158	185	212	212
B	70	89	111	124	124
C	86	132	145	198	230
Ø	18	25	30	36	43
E	20	26	29	37	43
D	168	273	378	418	418
H	235	340	400	520	640

Sydney - Head Office

24 Foundry Road
Seven Hills, NSW 2147
Australia

+61 (0)2 8825 6900

+61 (0)2 8825 6999

Western Australia

8 Monash Gate,
Jandakot, 6164 WA
Australia

+61 (0)8 9417 2933

+61 (0)8 9417 3533

Auckland NZ

11 Druces Road
Wiri, Auckland 2104
New Zealand

+64 (0)9 263 5566

+64 (0)9 263 5567

