



The pump is a submersible drainage pump fitted with semi vortex, urethane coated impeller plus agitator, supplied wired and ready to install. The pump has a dual mechanical seal in oil chamber and can handle particles to 25 mm x 10mm.

The pump is characterised by:

- Corrosion resistant pump components.
- Fully automatic operation.
- Dual Mechanical Seal in oil bath, SIC/SIC, Carbon Ceramic.
- Urethane coated semi vortex impeller allows pumping of suspended solids, sandy and stringy material.
- Agitator on the end of the pump shaft helps prevent airlocking and clogging.
- Carry handle.
- Versatile outlet connection.
- 240V single phase motor with in-built auto reset thermal overload.
- Suitable for construction sites, storm water, basements.

Liquid:

Clean water temperature range: 2 – 35 °C

Materials:

Pump body: Cast Iron
 Strainer: Urethane
 Impeller: Urethane coated semi vortex
 Shaft: Stainless Steel 403
 Shaft seal: Dual Mechanical in oil bath, Silicon Carbide/Silicon Carbide + Carbon/Ceramic

Installation:

Maximum ambient temperature: 40 °C
 Maximum submergence: 8m
 Pipe connections discharge: 2"

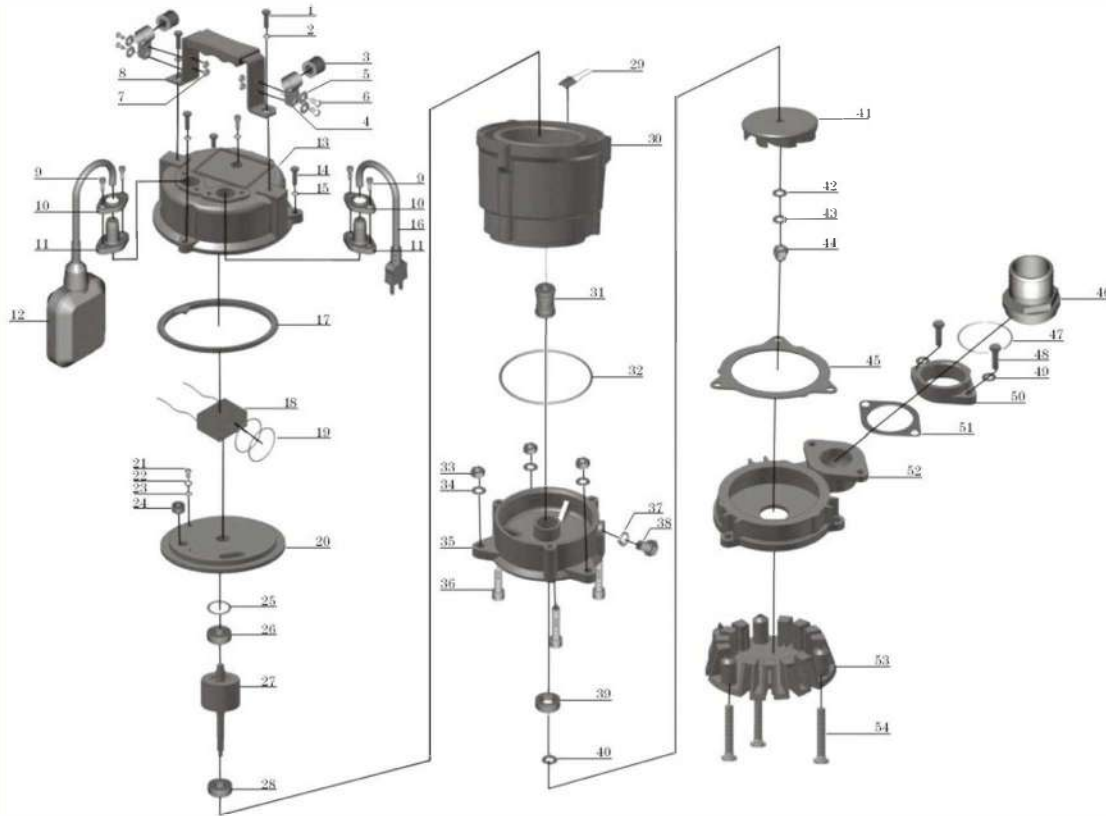
CLA-BLUESUB10	10A
Max Flow: (l/m)	250
Max Head: (m)	18
Rated voltage: (V)	240
Mains frequency: (Hz)	50
Rated output: (W)	750
Current: (amps)	5.6
Capacitor: (uF)	25
Motor duty:	Continuous
Motor type:	Asynchronous
Motor protection:	In-built thermal overload
Ingress protection:	IP 68
Insulation class:	B
Power cable length:	10m H07RNF
Net weight: (kg)	19.2
Dimensions: LxHxW (mm)	320x430x225

12 Month Claytech Warranty

Also available

BIA-LAYFLATKIT Lay Flat Hose 20m, 2"

808366 - CLA-BLUESUB10



N0.		DESCRIPTION	MATERIAL	N0.		DESCRIPTION	MATERIAL
1.		Bolt	0Cr18Ni9	28.	805700	Bearing	
2.		Washer	0Cr18Ni9	29.		Thermal protector	
3.		Protector	Rubber	30.		Stator	ZL102
4.		Cable presser	0Cr18Ni9	31.	805699	Mechanical seal	graphite to ceramic
5.		Washer	0Cr18Ni9	32.	805697	"O" ring	Rubber
6.		Screw	0Cr18Ni9	33.		Nut	0Cr18Ni9
7.		Nut	0Cr18Ni9	34.		Washer	0Cr18Ni9
8.		Handle		35.		Connection part	HT200
9.	805707	Screw	0Cr18Ni9	36.		Screw	0Cr18Ni9
10.	805708	Flange	0Cr18Ni9	37.		"O" ring	Rubber
11.	805709	Cable protector	Rubber	38.		Bolt	0Cr18Ni9
12.	805705	Float switch		39.	805695	Oil seal	
13.	805711	Capacitor cover	ZL102	40.		Washer	0Cr18Ni9
14.		Bolt	0Cr18Ni9	41.	805694	Impeller	Nylon rubber with stainless steel housing
15.		Washer	0Cr18Ni9	42.		Washer	0Cr18Ni9
16.	805706	Cable		43.		Spring washer	0Cr18Ni9
17.	805704	Gasket	Rubber	44.		Nut	0Cr18Ni9
18.	805703	Capacitor		45.	805692	Gasket	Rubber
19.		"O" ring	Rubber	46.		Outlet connector	ABS
20.		Upper cover	ZL102	47.		"O" ring	Rubber
21.		Screw	H62	48.		Bolt	0Cr18Ni9
22.		Spring washer	65Mn	49.		Washer	0Cr18Ni9
23.		Washer	H62	50.		Flange	HT200
24.		Line protector	Rubber	51.		Gasket	Rubber
25.		Undulated washer	65Mn	52.		Pump casing	HT200
26.	805701	Bearing		53.		Base plate	Rubber plastic
27.		Rotor		54.		Bolt	0Cr18Ni9