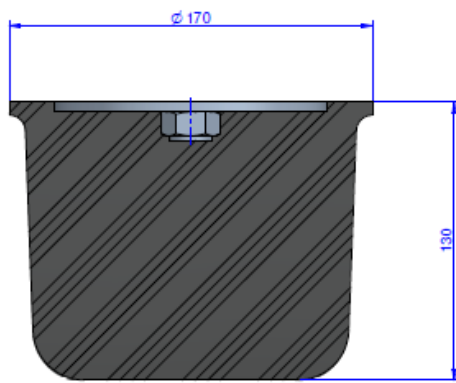
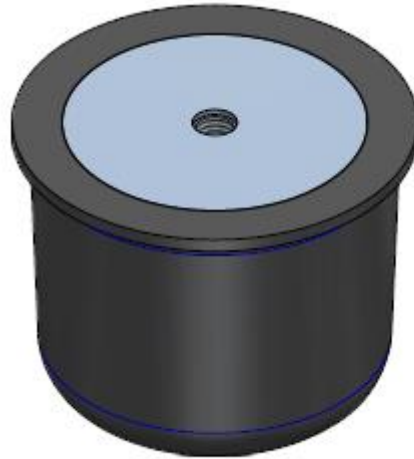
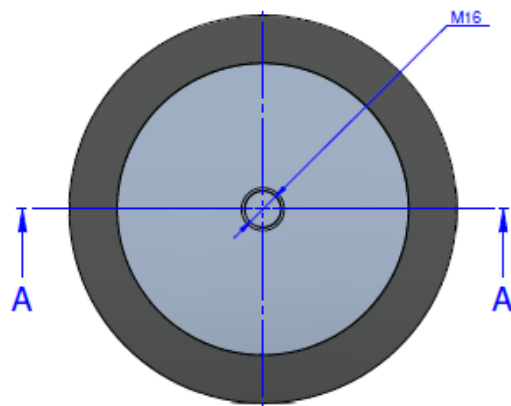


ANB BUFFERS

Special order Only



SECTION A-A



Part No	Compression		Weight Kg
	Load Kg-F	Def mm	
M113232	5000	50	2.73