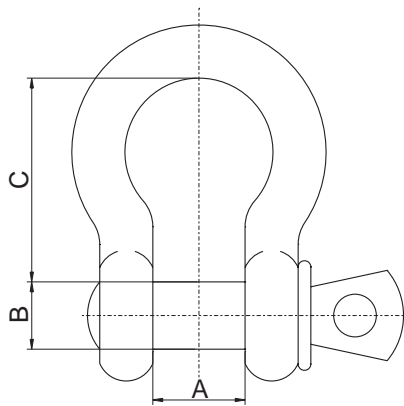


Grade S Shackles - Yellow Screw Pin - in both Dee and Bow configurations

- Compliant and meet the requirement of AS 2741.
- The most common shackles used in lifting applications, with a high strength to size ratio.
- Easy and effective way of providing a connection of slings, chains and wire ropes.
- Supplied in a galvanised finish with yellow painted pin.
- Suitable applications: Marine, agricultural, towing, & general industrial.

Bow Shackles Grade S 0.5T - 25T

Part No.	Body Dia. (mm)	W.L.L. (T)	Dimension (mm)		
			A	B	C
GSSB06-0.5T	6	0.5	12	8	25
GSSB08-0.75T	8	0.75	13	10	27
GSSB10-1.0T	10	1	17	11	33
GSSB11-1.5T	11	1.5	18	13	38
GSSB13-2.0T	13	2	21	16	42
GSSB16-3.2T	16	3.2	27	19	52
GSSB19-4.7T	19	4.7	32	22	61
GSSB22-6.5T	22	6.5	37	25	73
GSSB25-8.5T	25	8.5	43	29	82
GSSB29-9.5T	29	9.5	46	32	92
GSSB32-12T	32	12	52	35	101
GSSB35-13T	35	13	57	38	113
GSSB38-17T	38	17	60	41	123
GSSB44-25T	44	25	73	51	147



A	Throat Opening
B	Pin Diameter
C	Throat Depth

Because the pin holds more load than the body, the pin diameter is larger than the body diameter

Dee Shackles Grade S 0.5T - 6.5T

Part No.	Body Dia. (mm)	W.L.L. (T)	Dimension (mm)		
			A	B	C
GSSD06-0.5T	6	0.5	12	8	25
GSSD08-0.75T	8	0.75	13	10	27
GSSD10-1.0T	10	1	17	11	33
GSSD11-1.5T	11	1.5	18	13	38
GSSD13-2.0T	13	2	21	16	42
GSSD16-3.2T	16	3.2	27	19	52
GSSD19-4.7T	19	4.7	32	22	61
GSSD22-6.5T	22	6.5	37	25	73

