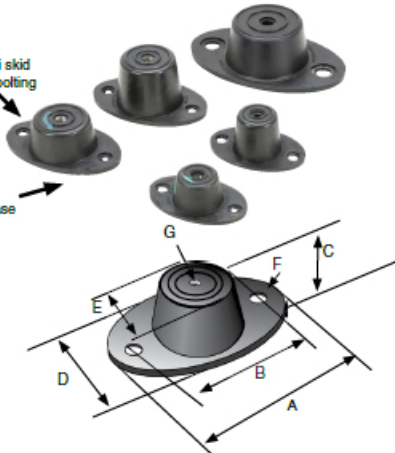


CONFLEX ISOLATORS

Conflex isolators are designed to meet almost all machinery installations within the load range. available in four rubber hardnesses they are the versatile answer to your mobile or static vibration problems.

Rubber base for anti skid when used without bolting base to the floor

Elliptical Base



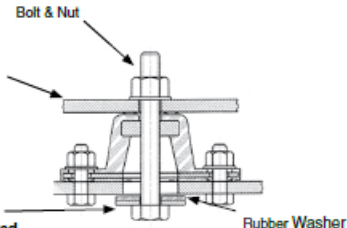
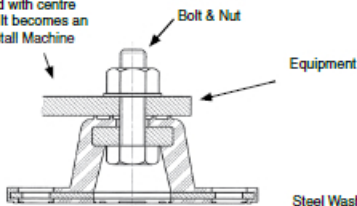
Available in Neoprene for "NM12" suffix part numbers

Part No.	Nominal Hardness - Shore A				Max. Deflection mm	Weight g	A mm	B mm	C mm	D mm	E mm	F mm	G
	35	45	55	65									
	Maximum Load kg												
M1111##	30	40	50	75	6	80	80	60	28	50	31	8.5	M8
M1111D##	40	55	80	110	8	95	80	60	38	50	31	8.5	M8
M1112##	90	110	160	250	6	150	100	76	32	60	46	8.5	M10
M1112D##	80	110	160	250	10	170	100	76	48	60	45	11.5	M10
M1112##NM12	90	110	160	250	6	150	100	76	32	60	46	8.5	M12
M1114##	115	170	240	405	6	430	140	104	44	85	60	14	M12

= hardness (35,45,55,65)

STATIONARY APPLICATION MOBILE APPLICATION

When used with centre nut & bolt, it becomes an easy to install Machine Footing



Note: Rubber & Steel washer not supplied by Mackay Consolidated

All properties nominal, contact Mackay for Technical advice

All Dimensions in Millimetres