

# Inlaid Linear Rod Ends with Male Thread

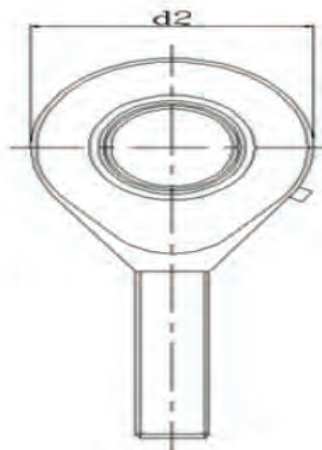
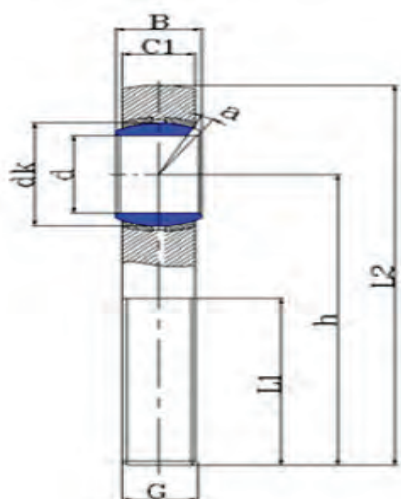


SDTZ Rod Ends are manufactured with a bronze liner on the spherical surface of the outer ring and a chromium liner on the surface of the inner ring.

The surface of the rod body is zinc plated and the housing containing a lubrication hole or grease nipple.

Sliding surfaces are bronze and steel.

All rod ends are available in either left or right hand thread (Add the suffix 'L' for left hand thread).



POS

## POS Series

Bearing Number	Dimensions														Load ratings(KN)		Weight (kg)
	d	B	dk	C1	d2	G	h	L3	L4	L5	W	d3	d4	a° ≈	Dynamic	Static	
POS3	3	6	7.93	4.5	14	M3*0.5	27	15	34	14	1.8	3.1	0.008	14	1.8	3.7	0.008
POS4	4	7	9.53	5.3	16	M4*0.7	17	17	38	13	2.5	4.3	0.011	13	2.5	4.6	0.013
POS5	5	8	11.11	6	16	M5*0.8	33	20	41	13	3.3	5.7	0.013	13	3.3	5.7	0.016
POS6	6	9	12.70	6.75	18	M6*1.0	36	22	45	13	4.3	7.2	0.020	13	4.3	7.2	0.022
POS8	8	12	15.88	9	22	M8*1.25	42	25	53	14	7.2	11.6	0.030	14	7.2	11.6	0.047
POS10	10	14	19.05	10.5	26	M10*1.5	48	29	61	13	10.0	14.5	0.055	13	10	14.5	0.077
POS12	12	16	22.23	12	30	M12*1.75	54	33	69	13	13.4	17.0	0.085	13	10	14.5	0.077
POS14	14	19	25.40	13.5	34	M14*2.0	60	36	77	16	17.0	24.0	0.140	13	13.4	17	0.10
POS16	16	21	28.58	15	40	M16*2.0	66	40	86	15	21.6	28.5	0.210	13	13.4	17	0.10
POS18	18	23	31.75	16.5	44	M18*1.5	72	44	94	15	26.0	42.5	0.280	16	17	24	0.16
POS20	20	25	34.93	18	50	M20*1.5	78	47	103	14	31.5	52.5	0.380	16	17	24	0.16
POS22	22	28	38.10	20	54	M22*1.5	84	51	111	15	38.0	57.0	0.480	15	21.6	28.5	0.22
POS25	25	31	42.85	22	60	M24*2.0	94	57	124	15	47.5	68.0	0.640	15	21.6	28.5	0.22