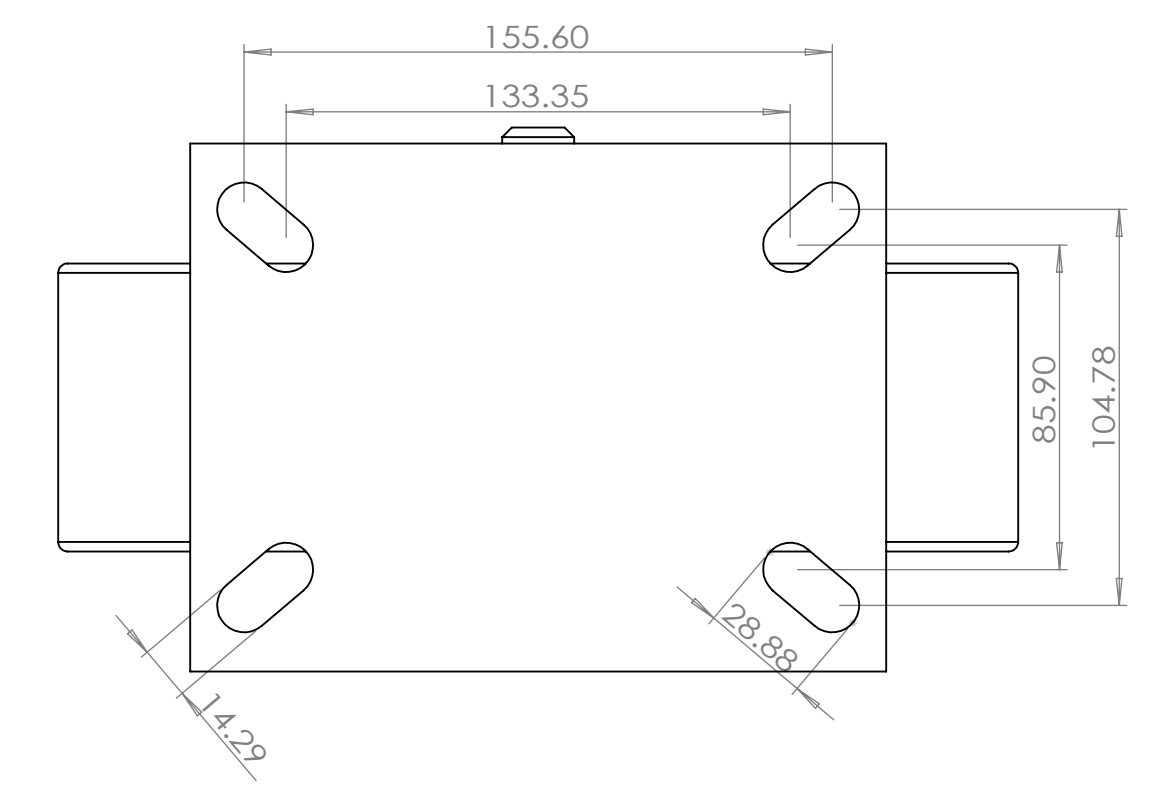
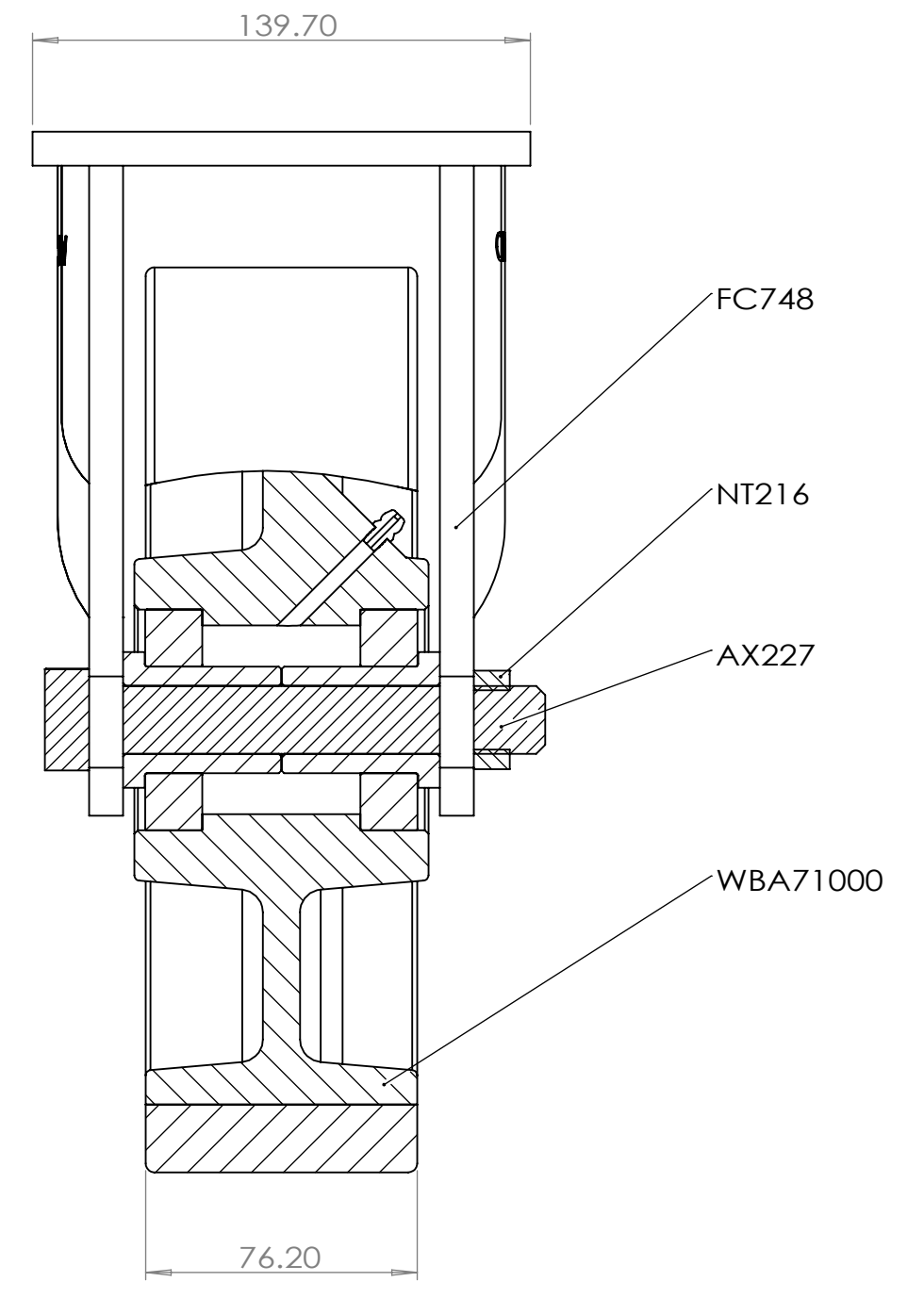
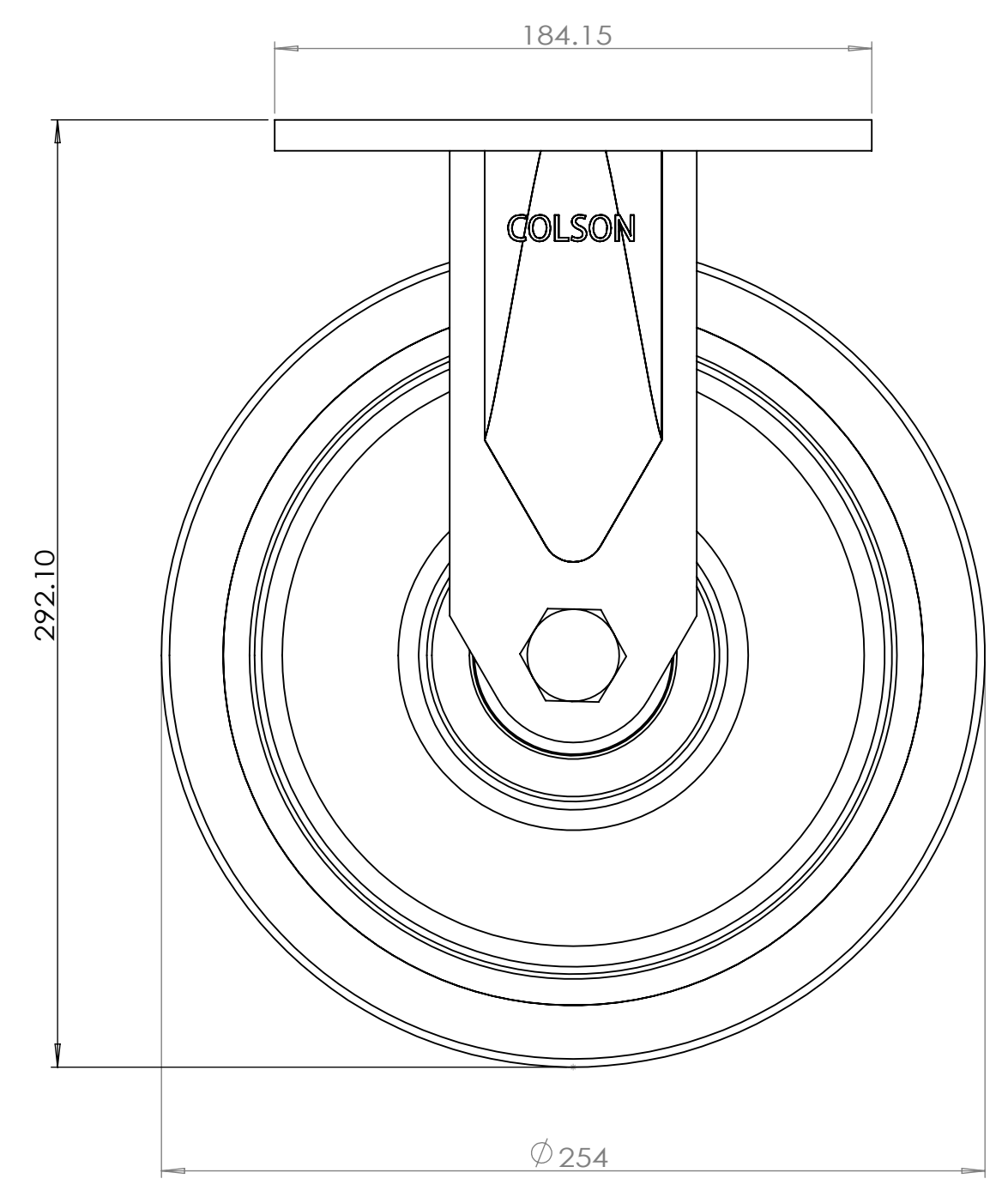



REVISIONS				
REV.	ECN	BY	DESCRIPTION	DATE
A	08024	WILL	RELEASE FOR PRODUCTION	2021/6/22

受控文件  
Control Files





**COLSON GROUP**

**CHINA**

1ST ANGLE PROJECTION

DO NOT SCALE DRAWING  
DIMENSIONS ARE IN METRICS

**UNSPECIFIED TOLERANCES**

.XX ±.13	X.X° ± .5°
.X ±.38	X° ± 1°
X ±1.3	

THE INFORMATION CONTAINED IN THIS DRAWING IS THE SOLE PROPERTY OF COLSON GROUP. ANY REPRODUCTION IN PART OR AS A WHOLE WITHOUT THE WRITTEN PERMISSION OF COLSON GROUP IS PROHIBITED.

INTERPRET DRAWING PER ASME Y14.5-1994

TITLE: <b>7-10in抗冲击固定配Logic PU包铁芯轮</b>		DWG No.:	
ENGINEER: WILL	DRAWN: WILL	CHECKED: KEVIN.Z	ISSUED: 21JUN2021
PART NO.: 7108600		SIZE: A	
SCALE 1:2		SHEET 1 OF 1	