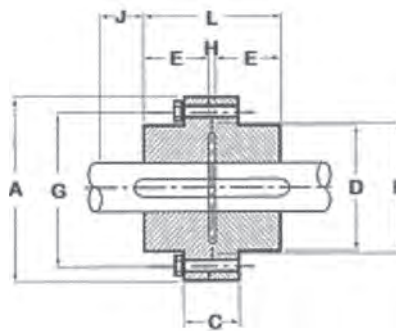


Rigid Couplings are used in situations where shaft alignment is essential. A misaligned coupling can cause damage and downtime. When properly fitted this torsionally rigid coupling helps prevent any such event. Finer Rigid Couplings are Taper Lock ready and available in a range of sizes to accommodate almost any shaft size.

Rigid Couplings consist of 2 flanges, available in internal and external entry (H & F). This gives two possible coupling assemblies HF and FF. When connecting horizontal shafts, choose the most convenient method. When connecting vertical shafts use assembly FF only.



Coupling	Bush	Max. Bore		A	C	D	E	F nom	G nom	H+	J*	L	Kg
		Metric	Inch										
RM12	1210	32	1 1/4	118	35	83	26	76	102	7	38	57	3.5
RM16	1615	42	1 5/8	127	43	80	38	89	105	7	38	83	4.5
RM25	2517	65	2 1/2	178	51	123	45	127	149	7	48	97	11
RM30	3020/3030	75	3	216	65	146	76	152	181	7	54	169	23
RM35	3535	90	3 1/2	248	75	178	89	178	213	7	67	185	38
RM40	4040	100	4	298	76	210	102	216	257	7	79	210	64
RM45	4545	110	4 1/2	330	86	230	114	241	286	7	89	235	88
RM50	5050	125	5	362	92	266	127	267	314	7	92	260	155

* is the wrench clearance to allow for tightening and loosening the bush on the shaft.

+ is the distance between shaft ends.

Coupling weights calculated including average sized TL Bush.