

Description

The Alemlube EL Series HR40089 Air / Water hose reel is a quality hose handling, retrieval and storage system with crimped hose end, integral carry handle and detachable mounting bracket enabling 180° hose reel rotation. Manufactured with high density impact resistant and UV stabilised polypropylene cover, the HR40089 (with PVC hose) features a positive latching system that automatically locks the hose at the desired length and the heavy duty internal spring assembly easily retrieves the hose when partially or fully extended.

Suitable for use in the agricultural, automotive, manufacturing, contractor and transport sectors, the HR40089 Air / Water hose reel is ideal to use in automotive workshops, garages and homes.

Mountable on the wall or ceiling, the EL Series HR40089 features a constant speed control device ensuring safe and accurate rewinding.

Specifications

Uses	Air / Water
Working Pressure	300psi (20bar)
Materials	PVC Hose



HR40089 AIR / WATER HOSE REEL

PART No.	PRODUCT DESCRIPTION	PSI/BAR
HR40089	EL Series Air / Water Hose Reel complete with 15m x 8mm ID PVC hose and 0.9m lead in hose	300psi/20bar

Technical Details

Item	Max Pressure (psi/bar)	Hose Working Temperature (C)	Hose Capacity		
			Material	I.D. (inch/mm)	Length (m/ft)
HR40089	300/20	0° to +60°	PVC	5/16" BSP(T) / 8	15 / 49



HR40089 Instruction

Safety Precautions

General Safety Rules



WARNING: Read and understand all instructions.

WARNING: The warnings, cautions, and instructions discussed in this instruction manual cannot cover all possible conditions or situations that could occur. It must be understood by the operator that common sense and caution are factors which cannot be built into this product, but must be supplied by the operator.

Hose Reel Safety Precautions

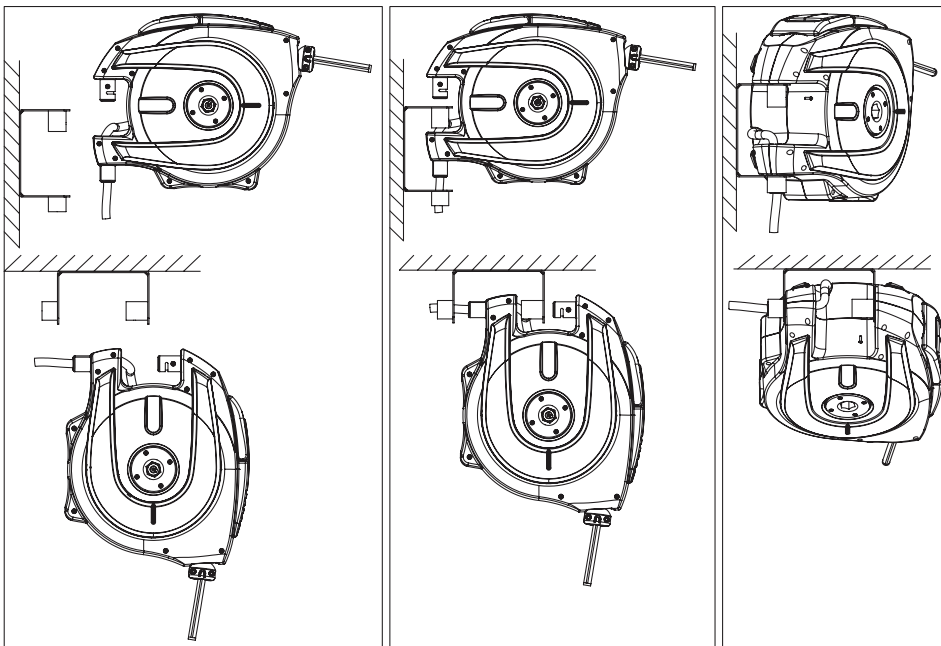
1. Use proper eye protection when assembling and using the hose reel.
2. Keep children away from the work area.
3. Personal injury and/or equipment damage may result if proper safety precautions are not observed.
4. Ensure that reel is properly installed before connecting input and output hoses.
5. Bleed fluid/gas pressure from system before servicing reel.
6. Before connecting reel to supply line ensure that pressure does not exceed maximum working pressure rating of reel.
7. Remember, even low pressure is very dangerous and can cause personal injury or death.
8. If a leak occurs in the hose or reel, remove system pressure immediately.
9. Ensure that reel, hose, and equipment being service are properly grounded.
10. If reel ceases to unwind or rewind, remove system pressure immediately.
11. Do not pull or jerk on hose.

Installation of Hose Reel

You will need to purchase appropriate hardware for mounting your new reel.

- 1) For mounting: For air series, Install reel on the wall and ceiling at most 9feet / 3m above the floor. For water series, Install reel on the wall at most 4.5feet / 1.5m above the floor .
- 2) The reel base has two mounting holes for mounting on a suitable flat surface for air series (four mounting holes for water series). Below figures is a template showing the correct location of the mounting holes in the base.
- 3) Using the mounting holes in the base, mount the reel in the desired location. Be sure to use appropriate hardware and tighten securely.
- 4) The end of incoming hose can be connected to desired supply source.
- 5) Outlet fittings on reel hose attach to desired tool, or nozzle. Check connection for leakage, also check hose reel for correct operation. See: Operation section.
- 6) If hose stopper adjustment is required, pull hose from reel and allow to latch at desired length. Loosen stopper bolts, and slide stopper to a position close to the hose guide. Tighten stopper bolts, and unlatch the reel.

HR40089 for air and water - wall and ceiling mount



NSW

TEL: (02) 9677 1555
FAX: (02) 9675 1155

QLD/PNG

TEL: (07) 3204 9166
FAX: (07) 3204 1224

VIC/TAS

TEL: (03) 8787 8288
FAX: (03) 8787 8266

WA

TEL: (08) 9302 4199
FAX: (08) 9303 2095

SA/NT

TEL: (08) 8241 7111
FAX: (08) 8241 7011

NZ

TEL: (64) 9 447 1007
FAX: (64) 9 447 1008

HR40089 Instruction

Operation

1. Check reel for correct operation by slowly pulling out the hose.
2. To latch the reel, pull out the hose about 3 feet/1m and allow it to retract until the hose stops retracting.
3. To unlatch the reel, slowly pull out the hose about 1 foot/0.3m then let the hose retract until the hose stopper rests against the hose guide opening.
Note: To avoid damage to the reel, always hold on to the hose while it is rewinding.
4. Periodically check the hose condition for wear or damage, and check the swivel fitting for leakage. Replace any worn, damaged, or leaking parts.

Maintenance

Make sure the hose is in proper working order.

Clean the hose with a cloth dipped in warm water to remove dirt or deposits and ensure correct rewinding.

Do not use detergents or solvents which could prove incompatible with cable-winder materials.

Dismantling of the unit by unskilled personal could prove hazardous; the risk involved mainly concern the preloaded springs.

Limited Warranty

1. The manufacturer warrants this hose reel against defects in material and craftsmanship, for a period of 24 months from date of purchase, but not including hose and O-ring parts.
2. Manufacturer's liability is limited to replacement or repair of defective material within the warranty period, when returned freight prepaid to the distributor or their designated service depot.
3. The warranty does not cover damage caused by accident, misuse or faulty installation.
4. The reel must be installed and maintained in compliance with the instructions.

NSW

TEL: (02) 9677 1555
FAX: (02) 9675 1155

QLD/PNG

TEL: (07) 3204 9166
FAX: (07) 3204 1224

VIC/TAS

TEL: (03) 8787 8288
FAX: (03) 8787 8266

WA

TEL: (08) 9302 4199
FAX: (08) 9303 2095

SA/NT

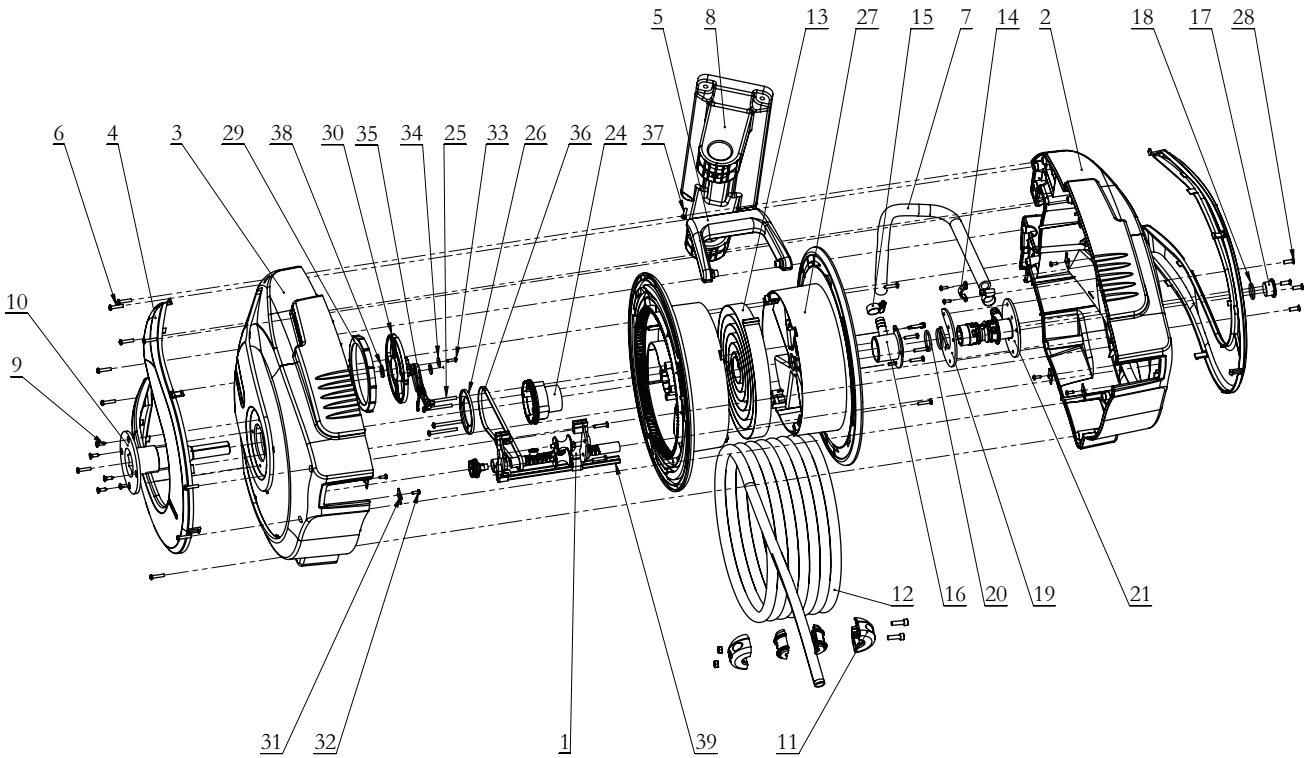
TEL: (08) 8241 7111
FAX: (08) 8241 7011

NZ

TEL: (64) 9 447 1007
FAX: (64) 9 447 1008

HR40089

Parts and drawing breakdown



Item No	Part No	Description	Q'ty
1	HR40089-1	Hose Compositor	1
2	HR40089-2	Right Casing	1
3	HR40089-3	Left Casing	1
4	HR40089-4	End Cover	2
5	HR40089-5	Handle	1
6	HR40089-6	Screw	19
7	HR40089-7	Hose Assembly	1
8	HR40089-8	Base	1
9	HR40089-9	Screw	4
10	HR40089-10	Main shaft	1
11	HR40089-11	Bumper Block	1
12	HR40089-12	Hose Assembly	1
13	HR40089-13	Spring	1
14	HR40089-14	Clamp	1
15	HR40089-15	Hose Clamp	2
16	HR40089-16	Swivel Body	1
17	HR40089-17	Plug	1
18	HR40089-18	O-Ring	1
19	HR40089-19	Retainer	1
20	HR40089-20	O-Ring	2

Item No	Part No	Description	Q'ty
21	HR40089-21	Swivel Spool	1
22	HR40089-22	-	-
23	HR40089-23	-	-
24	HR40089-24	Synchronous Wheel	1
25	HR40089-25	Screw	4
26	HR40089-26	Guard Plant	1
27	HR40089-27	Drum	2
28	HR40089-28	Screw	4
29	HR40089-29	Ring	1
30	HR40089-30	Gear	1
31	HR40089-31	Guard Plant	6
32	HR40089-32	Screw	8
33	HR40089-33	Screw	2
34	HR40089-34	Washer	2
35	HR40089-35	Ratchet Paw	1
36	HR40089-36	Synchronous Belt	1
37	HR40089-37	Screw	1
38	HR40089-38	Washer	1
39	HR40089-39	Guide Path	1

NSW TEL: (02) 9677 1555 FAX: (02) 9675 1155	QLD/PNG TEL: (07) 3204 9166 FAX: (07) 3204 1224	VIC/TAS TEL: (03) 8787 8288 FAX: (03) 8787 8266	WA TEL: (08) 9302 4199 FAX: (08) 9303 2095	SA/NT TEL: (08) 8241 7111 FAX: (08) 8241 7011	NZ TEL: (64) 9 447 1007 FAX: (64) 9 447 1008
--	--	--	---	--	---