



PRODUCT INFORMATION

August 2016



504351

Spring Rewind Grease Hose Reel

The Samoa 504351 spring rewind grease hose reel is a full metal heavy duty double pedestal hose reel that has been designed and constructed to withstand regular and robust use in intensive applications.

The fatigue resistant steel spring provides years of durable, trouble free performance and even load when pulling and recoiling the hose.

Torque load on the spring is reduced due to the spool being mounted on two permanently lubricated and sealed ball bearings resulting in smooth retraction and the large effective radial latching area assists in easier operation.

The Samoa 504351 spring rewind hose reel guide arm can be placed in different positions to accommodate any method of mounting and its narrow footprint allows accommodating more reels on the same surface in the available space.

Supplied complete and ready to use with 15 metres of 3/8" ID R1 delivery hose and a 0.8 metre lead in hose, the 504351 is ideal for applications relevant to car and truck dealerships, automotive workshops, lube trucks, mining & construction, railroad and mass transit vehicles and general manufacturing. It can be floor, wall, ceiling or tank mounted.

PRODUCT SPECIFICATIONS, FEATURES AND BENEFITS

Maximum working pressure of 5,800psi (400bar)

3/8" BSP (m) inlet and 1/4" BSP (m) outlet threads

Supplied complete with 15m x 3/8" ID R1 hose and 0.8m inlet hose

Full 3/8" ID port, shaft and swivel

Narrow footprint measuring 168mm wide

Heavy duty double pedestal construction

Large effective radial latching area

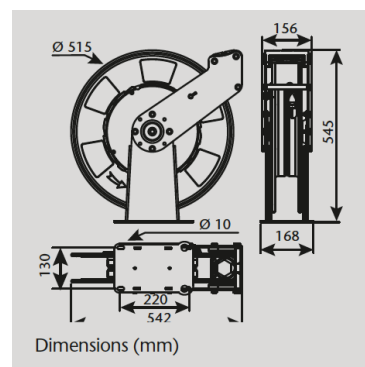
Versatile positioning of hose guide arm

Floor, wall, ceiling or tank mountable

Weight of 26kg

Also available:

504359 Spring Rewind Grease Hose Reel - bare



Dimensions (mm)

ORDERING INFORMATION

504351 Spring Rewind Grease Hose Reel

