

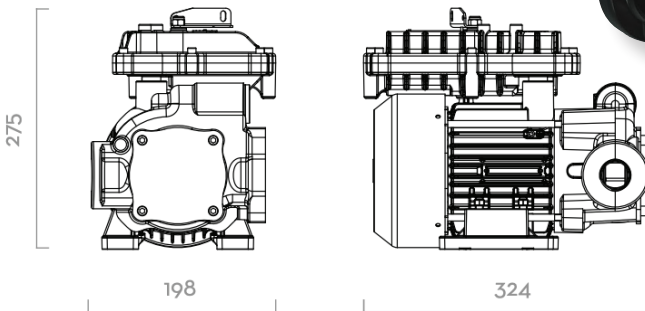
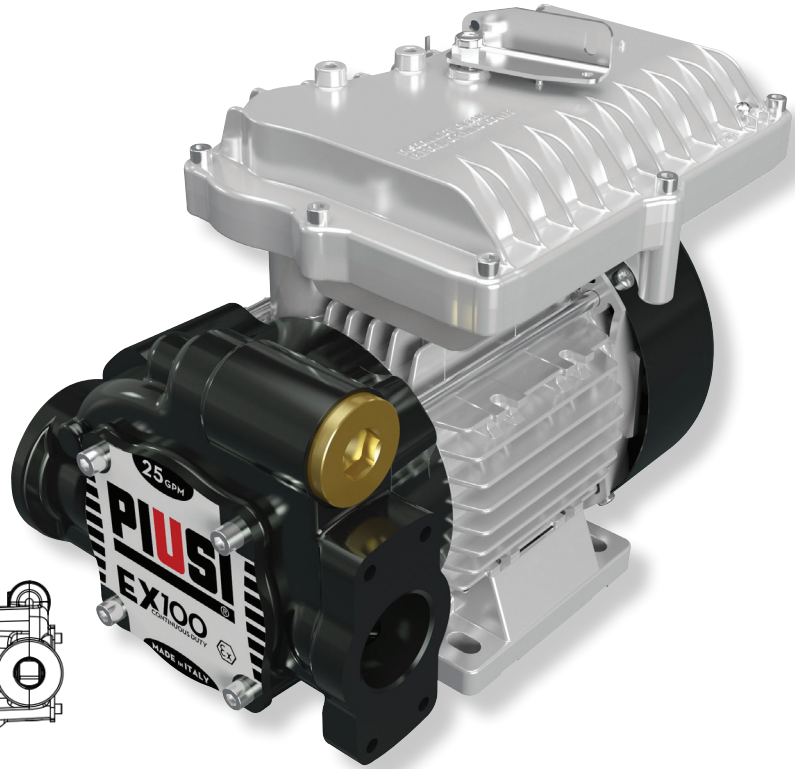
390010 Heavy Duty High Flow 240V Petrol Transfer Pump



VANE ROTOR



ON/OFF SWITCH



August 2019

The 390010 High Flow Petrol Transfer Pump is a heavy duty 240V self-priming rotary vane type pump of sturdy cast iron construction with sintered steel rotor, technopolymer vanes, viton seal and transfers petrol, Avgas or kerosene with flow rates of up to 100 L/min.

Powerful and compact, the 390010 is suitable for a number of applications, particularly those requiring high flow rates and is IECEx approved for the transfer of petrol, Avgas and kerosene.

The 390010 is suitable for continuous 240V operation with thermal motor overload protection, is fitted with a bypass valve with a highly reliable seal even at low working temperatures and can be quickly switched off by its on/off switch when required.

The 390010 Heavy Duty High Flow Petrol Transfer Pump is easy to install in most installations by a qualified electrician and is the perfect choice for fixed outdoor petrol transfer systems.

SPECIFICATIONS, FEATURES AND BENEFITS

- True flow rate of 100L/min at end of hose & auto nozzle
- Continuous duty operation
- 240V, 1035 watt power, 4.5amp max.
- IECEx approved for use with petrol, Avgas and kerosene
- Self-priming
- Thermal motor overload protection
- 1" BSP outlet thread, 1-1/4" BSP inlet thread
- On/off switch
- IP55 weather ingress protection
- Cast iron body with rust resistant coating
- Aluminium electric motor housing with anchoring points
- No power cable included, an electrician must hard wire
- Weight of 25kg

