

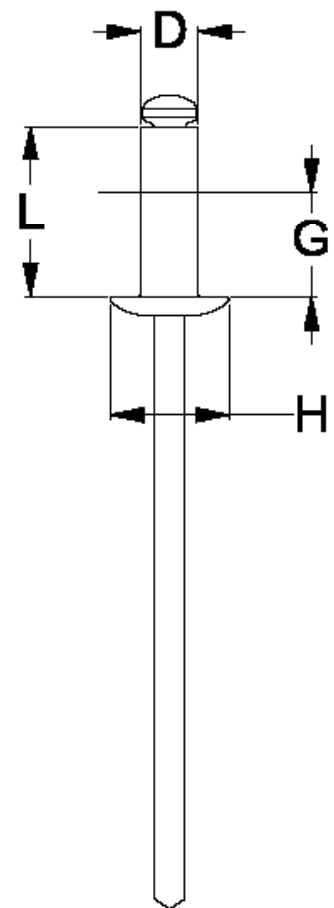


# TECHNICAL

## Rivets - Grip Range and Dimensions

### Truss Head (Dome Head) Rivets

Rivet Series #	Nominal Diameter (mm)	Rivet Number		Grip Range G(mm)		Rivet Length L(mm)	Body Diameter D(mm)		Head Diameter H(mm)	
			#	MIN	MAX	MAX-mm	MIN	MAX	MIN	MAX
3	2.4	302	32	0.5	3.2	6.40	2.29	2.44	4.52	5.03
		304	34	3.3	6.4	9.50				
		306	36	6.5	9.5	12.70				
		308	38	9.6	12.7	15.97				
		310	310	12.8	15.9	19.11				
4	3.2	401	41	0.5	1.6	5.40	3.1	3.25	6.05	6.65
		402	42	1.7	3.2	7.00				
		403	43	3.3	4.8	8.60				
		404	44	4.9	6.4	10.20				
		405	45	6.5	7.9	11.70				
		406	46	8.0	9.5	13.40				
		408	48	9.6	12.7	16.50				
		410	410	12.8	15.9	19.70				
		412	412	16.0	19.1	22.90				
5	4.0	502	52	0.5	3.2	7.60	3.89	4.04	7.52	8.33
		503	53	3.3	4.8	9.20				
		504	54	4.9	6.4	10.80				
		505	55	6.5	7.9	12.10				
		506	56	7.9	9.5	14.00				
		508	58	9.6	12.7	17.20				
		510	510	12.8	15.9	20.30				
		512	512	16.0	19.1	23.50				
		514	514	19.2	22.2	26.70				
		516	516	22.3	25.4	29.80				
		518	518	25.5	28.5	33.00				
6	4.8	601	61	0.5	1.5	6.50	4.65	4.85	9.04	10.01
		602	62	0.5	3.2	8.30				
		603	63	3.3	4.8	9.80				
		604	64	4.9	6.4	11.50				
		605	65	6.5	7.9	12.90				
		606	66	8.0	9.5	14.60				
		608	68	9.6	12.7	17.80				
		610	610	12.8	15.9	21.00				
		612	612	16.0	19.1	24.20				
		614	614	19.2	22.2	27.30				
		616	616	22.3	25.4	30.50				
		620	620	28.7	31.8	36.80				
		8	6.3	802	82	0.5				
804	84			3.3	6.4	12.70				
805	85			6.5	8.0	14.40				
806	86			8.1	9.5	15.90				
808	88			9.6	12.7	19.10				
810	810			12.8	15.9	22.20				
812	812			16.0	19.1	25.40				
814	814			19.2	22.2	28.60				
816	816			22.3	25.4	31.80				



Disclaimer: while every reasonable effort has been made to ensure that this document is correct at the time of printing, Hobson Engineering®, its agencies and employees disclaim all liability in respect to anything or the consequences of anything done or omitted regarding the whole or any part of this document.

Bolt Tension | Anti-Vibration | Product Reliability | Traceability

[hobson.com.au](http://hobson.com.au) **QUALITY FASTENERS SINCE 1935**



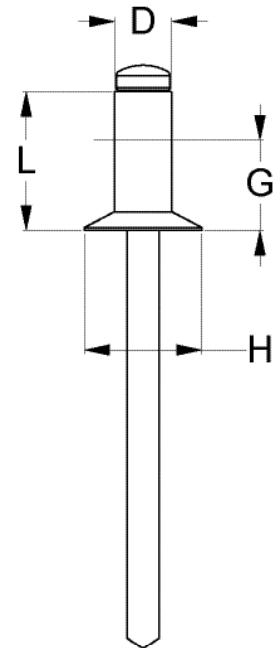
240219TD



## Rivets - Grip Range and Dimensions

# Countersunk Head Rivets

Rivet Series #	Nominal Diameter (mm)	Rivet Number		Grip Range G(mm)		Rivet Length L(mm)	Body Diameter D(mm)		Head Diameter H(mm)	
			#	MIN	MAX	MAX	MIN	MAX	MIN	MAX
4	3.2	402	42	2.3	3.2	7.00	3.10	3.25	5.26	5.92
		403	43	3.3	4.8	8.60				
		404	44	4.9	6.4	10.20				
		405	45	6.5	7.9	11.70				
		406	46	8.0	9.5	13.40				
		408	48	9.6	12.7	16.50				
		410	410	12.8	15.9	19.10				
5	4.0	502	52	0.5	2.9	7.00	3.89	4.04	6.81	7.47
		503	53	3.0	4.8	9.20				
		504	54	4.9	6.4	10.80				
		506	56	6.5	9.5	14.00				
6	4.8	602	62	0.5	3.2	8.30	4.65	4.85	8.51	9.17
		603	63	3.8	4.8	9.80				
		604	64	4.9	6.4	11.50				
		605	65	6.5	8.0	12.90				
		606	66	8.1	9.5	14.60				
		608	68	9.6	12.7	17.80				
		610	610	12.8	15.9	21.00				
8	6.3	808	88	9.6	12.7	19.10	6.25	6.48	11.6	12.3
		810	810	12.8	15.9	22.20				
		812	812	16.0	19.1	25.40				



Disclaimer: while every reasonable effort has been made to ensure that this document is correct at the time of printing, Hobson Engineering®, its agencies and employees disclaim all liability in respect to anything or the consequences of anything done or omitted regarding the whole or any part of this document.

Bolt Tension | Anti-Vibration | Product Reliability | Traceability

[hobson.com.au](http://hobson.com.au) **QUALITY FASTENERS SINCE 1935**