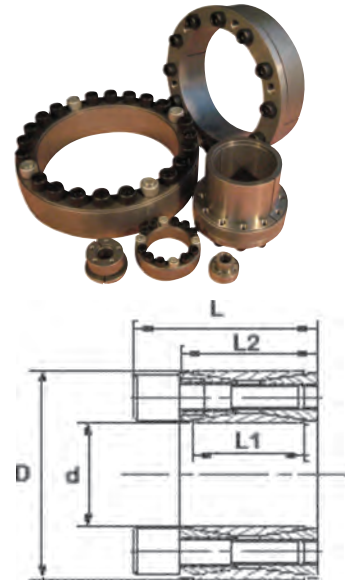


"Why compete against your supplier when you can be our partner"

Locking Assemblies provide reliable, high strength keyless connections by converting locking screw clamp loads into radial contact pressures applied simultaneously to both the shaft and the bore of the mounted component. The resulting zero-backlash mechanical interference fit will accommodate high torque, thrust, bending and/or radial loads, and unlike other mounting technologies will never wear or pound out, even for high cycle fluctuating or reversing loads.

Locking Assemblies provide reliable, high strength keyless connections for shaft driven devices. When the Locking Units bolts are tightened plates engage with both the shaft and the inside circumference of the driven component. The locking assembly distributes the applied pressure evenly. No keyways or grubscrews are required with this device.



Dimensions					Performance		Pressure		Clamping Screws DIN912-12.9		
d	D	L1	L2	L	Transmissible Torque KN	Transmissible Axial Force Nm	Shaft Surface Pressure N/mm ²	Hub Surface Pressure N/mm ²	No.	Size	Screws Tightening Torque Nm
20	47	17	20	26	31	313	272	116	8	M6x18	14.9
25	50	17	20	26	35	441	245	123	9	M6x18	14.9
30	55	17	20	26	39	588	227	124	10	M6x18	14.9
35	60	17	20	26	47	822	233	136	12	M6x18	14.9
38	65	17	20	26	55	1042	250	146	14	M6x18	14.9
40	65	17	20	26	55	1097	238	146	14	M6x18	14.9
45	75	20	24	32	83	1864	271	163	12	M8x22	35
48	80	20	24	32	83	1988	254	153	12	M8x22	35
50	80	20	24	32	83	2071	244	153	12	M8x22	35
55	85	20	24	32	97	2658	259	168	14	M8x22	35
60	90	20	24	32	97	2900	238	158	14	M8x22	35
65	95	20	24	32	110	3587	250	171	16	M8x22	35
70	110	24	28	38	153	5345	268	171	14	M10x25	69
75	115	24	28	38	153	5727	250	163	14	M10x25	69
80	120	24	28	38	153	6108	235	156	14	M10x25	69
85	125	24	28	38	175	7417	252	172	16	M10x25	69
90	130	24	28	38	175	7854	238	165	16	M10x25	69
95	135	24	28	38	196	9326	254	179	18	M10x25	69
100	145	26	33	45	227	11362	258	178	14	M12x30	123.3
110	155	26	33	45	227	12498	234	166	14	M12x30	123.3
120	165	26	33	45	260	15578	245	178	16	M12x30	123.3
130	180	34	38	50	325	21095	217	156	20	M12x35	123.3
140	190	34	38	50	357	24993	221	163	22	M12x35	123.3
150	200	34	38	50	390	29217	225	169	24	M12x35	123.3
160	210	34	38	50	422	33756	229	174	26	M12x35	123.3
170	225	38	44	58	465	39483	212	160	22	M14x40	187
180	235	38	44	58	507	45606	218	167	24	M14x40	187
190	250	46	52	66	591	56163	199	152	28	M14x45	187
200	260	46	52	66	633	63342	203	156	30	M14x45	187
210	275	0A	0A	0A					0A		
220	285	50	56	72	745	81960	200	154	26	M16X50	290
240	305	50	56	72	860	103162	211	166	30	M16X50	290
250	315	0A	0A	0A					0A		
260	325	50	56	72	974	126669	221	177	34	M16X50	290
320	405	72	78	98	1651	264108	211	167	36	M20X70	580