

# The Third Hand Modular Clamps

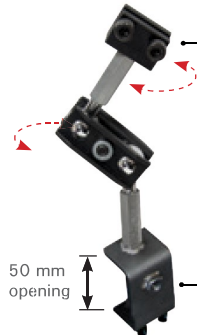
*FULLY articulated, FULLY adjustable.*



"Third Hand" positions your workpiece at any angle for full weld access. Use your THIRD HAND to elevate and firmly hold stock at the ideal angle and height while you weld, cut, sand or paint. Securely hold stock at any position with ball joint adjustment and locking.

## Universal Clamp Base Model

HAS42



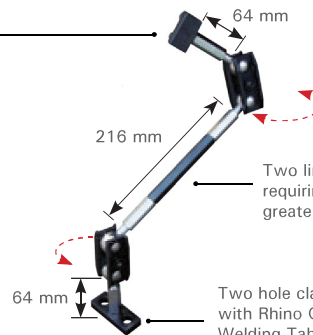
Universal clamp base mounts on flat or square surfaces, angle iron, and 25 mm round posts.



19 mm opening Slotted Adaptor Head accepts Pliers or Clamps to hold round, flat, square or angled stock. Two screws securely hold parts or clamps in position.

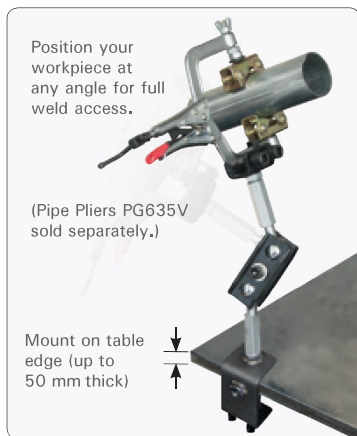
## Welding Table Base Model

HAS40



Two links for applications requiring greater height or greater horizontal reach.

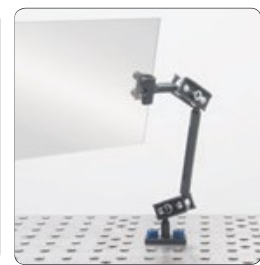
Two hole clamp base is compatible with Rhino Cart® and BuildPro® Welding Tables for mounting at any point on the tabletop.



(Use with Big Mouth Pliers)



(Use with Utility Clamp UDV65M)



Hold sheet metal / plexiglass.

Part No.	Description	Weight (kg)
HAS42	Universal C-Clamp Base Model	1.1
HAS40	Welding Table Base Model	1.6