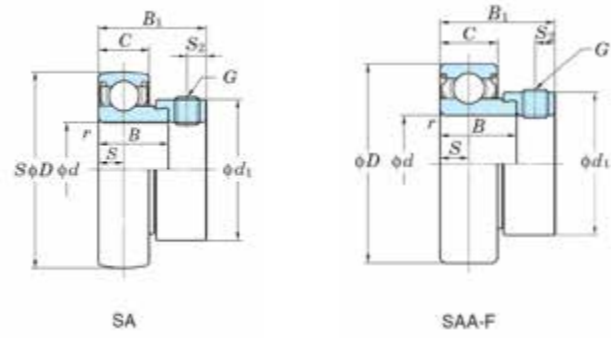
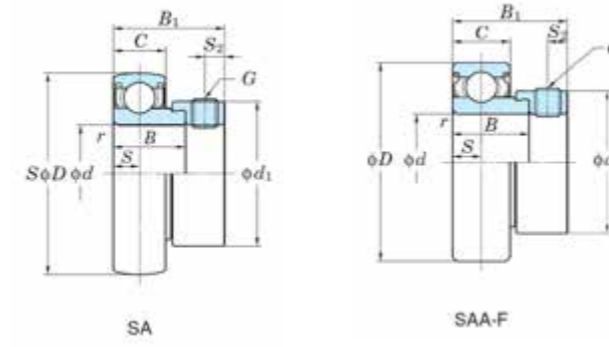


SA200 Series

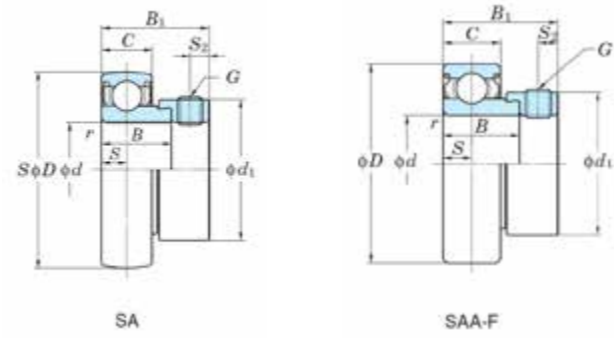


SA200 Series

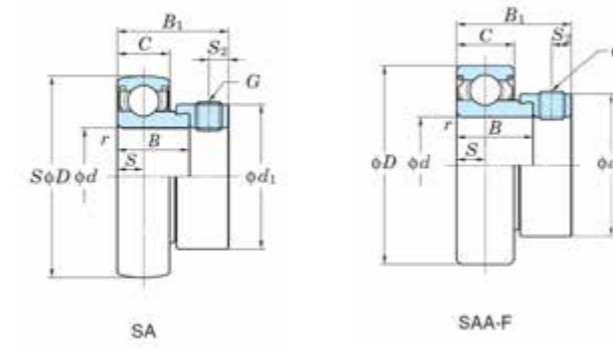


Shaft Dia		Dimensions										Basic Load ratings kN		Factor	Bearing no.	Set Screw Brg. Bore						Mass kg		
mm	inch	D		B		B1		C		r (min.)		Cr	COr	f 0		S		S2		d1			G	
d		mm	inch	mm	inch	mm	inch	mm	inch	mm	inch					mm	inch	mm	inch	mm	inch		mm	inch
	1/2	40	1.575	19	0.784	28.5	1.122	12	0.472	0.6	0.024	9.55	4.8	13.2	SA201-8	6	0.236	4.8	0.189	28.6	1.126	-	1/4-28UNF	0.13
12		40	1.575	19	0.784	28.5	1.122	12	0.472	0.6	0.024	9.55	4.8	13.2	SA201	6	0.236	4.8	0.189	28.6	1.126	M6x0.75	-	0.13
	5/8	40	1.575	19	0.784	28.5	1.122	12	0.472	0.6	0.024	9.55	4.8	13.2	SA202-10	6	0.236	4.8	0.189	28.6	1.126	-	1/4-28UNF	0.13
15		40	1.575	19	0.784	28.5	1.122	12	0.472	0.6	0.024	9.55	4.8	13.2	SA202	6	0.236	4.8	0.189	28.6	1.126	M6x0.75	-	0.13
17		40	1.575	19	0.784	28.5	1.122	12	0.472	0.6	0.024	9.55	4.8	13.2	SA203	6	0.236	4.8	0.189	28.6	1.126	M6x0.75	-	0.13
	3/4	47	1.85	20	0.787	29.5	1.161	14	0.551	1	0.039	12.8	6.65	13.2	SA204-12	7	0.276	4.8	0.189	33.3	1.311	-	1/4-28UNF	0.15
20		47	1.85	20	0.787	29.5	1.161	14	0.551	1	0.039	12.8	6.65	13.2	SA204	7	0.276	4.8	0.189	33.3	1.311	M6x0.75	-	0.15
	7/8	52	2.047	21	0.827	30.5	1.201	15	0.591	1	0.039	14	7.85	13.9	SA205-14	7.5	0.295	4.8	0.189	38.1	1.5	-	1/4-28UNF	0.22
	15/16	52	2.047	21	0.827	30.5	1.201	15	0.591	1	0.039	14	7.85	13.9	SA205-15	7.5	0.295	4.8	0.189	38.1	1.5	-	1/4-28UNF	0.22
	1	52	2.047	21	0.827	30.5	1.201	15	0.591	1	0.039	14	7.85	13.9	SA205-16	7.5	0.295	4.8	0.189	38.1	1.5	-	1/4-28UNF	0.22
25		52	2.047	21	0.827	30.5	1.201	15	0.591	1	0.039	14	7.85	13.9	SA205	7.5	0.295	4.8	0.189	38.1	1.5	M6x0.75	-	0.22
	1 1/8	62	2.441	22	0.866	33.9	1.335	16	0.63	1	0.039	19.5	11.3	13.9	SA206-18	8	0.315	6	0.236	44.5	1.752	-	5/16-24UNF	0.3
	1 3/16	62	2.441	22	0.866	33.9	1.335	16	0.63	1	0.039	19.5	11.3	13.9	SA206-19	8	0.315	6	0.236	44.5	1.752	-	5/16-24UNF	0.3
	1 1/4	62	2.441	22	0.866	33.9	1.335	16	0.63	1	0.039	19.5	11.3	13.9	SA206-20	8	0.315	6	0.236	44.5	1.752	-	5/16-24UNF	0.3
30		62	2.441	22	0.866	33.9	1.335	16	0.63	1	0.039	19.5	11.3	13.9	SA206	8	0.315	6	0.236	44.5	1.752	M8x1	-	0.3
	1 1/4	72	2.835	23	0.906	36.5	1.437	17	0.669	1.1	0.043	25.7	15.4	13.9	SA207-20	8.5	0.335	6.8	0.268	55.6	2.189	-	5/16-24UNF	0.5
	1 3/8	72	2.835	23	0.906	36.5	1.437	17	0.669	1.1	0.043	25.7	15.4	13.9	SA207-22	8.5	0.335	6.8	0.268	55.6	2.189	-	5/16-24UNF	0.5
	1 7/16	72	2.835	23	0.906	36.5	1.437	17	0.669	1.1	0.043	25.7	15.4	13.9	SA207-23	8.5	0.335	6.8	0.268	55.6	2.189	-	5/16-24UNF	0.5
35		72	2.835	23	0.906	36.5	1.437	17	0.669	1.1	0.043	25.7	15.4	13.9	SA207	8.5	0.335	6.8	0.268	55.6	2.189	M8x1	-	0.5
	1 1/2	80	3.15	27	1.063	40.5	1.595	18	0.709	1.1	0.043	29.1	17.8	14	SA208-24	9	0.354	6.8	0.268	60.3	2.374	-	5/16-24UNF	0.67
40		80	3.15	27	1.063	40.5	1.595	18	0.709	1.1	0.043	29.1	17.8	14	SA208	9	0.354	6.8	0.268	60.3	2.374	M8x1	-	0.67
	1 3/4	85	3.346	30.2	1.189	43.7	1.72	22	0.866	1.1	0.043	34.1	21.3	14	SA209-28	11	0.433	6.8	0.268	63.5	2.5	-	-	0.82

SAA200 Series



SAA200 Series



Shaft Dia		Dimensions										Basic Load ratingskN		Factor	Bearing no.	Dimensions						Set Screw Brg. Bore		Mass kg		
mm	inch	D		B		B1		C		r (min.)		Cr	COr	f 0		C1		S		S2		d1			G	
d		mm	inch	mm	inch	mm	inch	mm	inch	mm	inch				mm	inch	mm	inch	mm	inch	mm	inch	mm	inch		
	1/2	40	1.575	19.1	0.752	28.6	1.126	13	0.512	0.6	0.024	9.55	4.8	13.2	SAA201-8FP7	6.5	0.256	16	0.63	4.8	0.189	28.6	1.126	-	1/4-28UNF	0.13
	5/8	40	1.575	19.1	0.752	28.6	1.126	13	0.512	0.6	0.024	9.55	4.8	13.2	SAA202FP7	6.5	0.256	16	0.63	4.8	0.189	28.6	1.126	M6x0.75	-	0.13
17		40	1.575	17	0.669	28.6	1.126	13	0.512	0.6	0.024	9.55	4.8	13.2	SAA203	6.5	0.256	16	0.63	4.8	0.189	28.6	1.126	M6x0.75	-	0.13
17		40	1.575	19.1	0.752	28.6	1.126	13	0.512	0.6	0.024	9.55	4.8	13.2	SAA203FP7	6.5	0.256	16	0.63	4.8	0.189	28.6	1.126	M6x0.75	-	0.13
	3/4	47	1.85	21.5	0.846	31	1.22	15	0.591	1	0.039	12.8	6.65	13.2	SAA204-12FP7	7.5	0.295	18	0.709	4.8	0.189	33.3	1.311	-	1/4-28UNF	0.19
20		47	1.85	21.5	0.846	31	1.22	15	0.591	1	0.039	12.8	6.65	13.2	SAA204FP7	7.5	0.295	18	0.709	4.8	0.189	33.3	1.311	M6x0.75	-	1.19
	7/8	52	2.047	21.5	0.846	31	1.22	15	0.591	1	0.039	14	7.85	13.9	SAA205-14FP7	7.5	0.295	19.5	0.768	4.8	0.189	38.1	1.5	-	1/4-28UNF	0.23
	1	52	2.047	21.5	0.846	31	1.22	15	0.591	1	0.039	14	7.85	13.9	SAA205-16FP7	7.5	0.295	19.5	0.768	4.8	0.189	38.1	1.5	-	1/4-28UNF	0.23
25		52	2.047	21.5	0.846	31	1.22	15	0.591	1	0.039	14	7.85	13.9	SAA205FP7	7.5	0.295	19.5	0.768	4.8	0.189	38.1	1.5	M6x0.75	-	0.23
25		52	2.047	25	0.984	31	1.22	15	0.591	1	0.039	14	7.85	13.9	SAA205	7.5	0.295	19.5	0.768	4.8	0.189	38.1	1.5	M6x0.75	-	0.23
	1 1/8	62	2.441	23.8	0.937	35.7	1.406	18	0.709	1	0.039	19.5	11.3	13.9	SAA206-18FP7	9	0.35	22	0.866	6	0.236	44.5	1.752	-	5/16-24UNF	0.34
	1 1/4	62	2.441	23.8	0.937	35.7	1.406	18	0.709	1	0.039	19.5	11.3	13.9	SAA206-20FP7	9	0.35	22	0.866	6	0.236	44.5	1.752	-	5/16-24UNF	0.34
30		62	2.441	23.8	0.937	35.7	1.406	18	0.709	1	0.039	19.5	11.3	13.9	SAA206FP7	9	0.35	22	0.866	6	0.236	44.5	1.752	M8x1	-	0.34
30		62	2.441	30	1.181	35.7	1.406	18	0.709	1	0.039	19.5	11.3	13.9	SAA206	9	0.35	22	0.866	6	0.236	44.5	1.752	M8x1	-	0.34
	1 1/4	72	2.835	25.4	1	38.9	1.531	19	0.748	1.1	0.043	25.7	15.4	13.9	SAA207-20FP7	9.5	0.374	23.5	0.925	6.8	0.268	55.6	2.189	-	5/16-24UNF	0.57
	1 3/4	72	2.835	25.4	1	38.9	1.531	19	0.748	1.1	0.043	25.7	15.4	13.9	SAA207-22FP7	9.5	0.374	23.5	0.925	6.8	0.268	55.6	2.189	-	5/16-24UNF	0.57
35		72	2.835	25.4	1	38.9	1.531	19	0.748	1.1	0.043	25.7	15.4	13.9	SAA207FP7	9.5	0.374	23.5	0.925	6.8	0.268	55.6	2.189	M8x1	-	0.57
35		72	2.835	35	1.378	38.9	1.531	19	0.748	1.1	0.043	25.7	15.4	13.9	SAA207	9.5	0.374	23.5	0.925	6.8	0.268	55.6	2.189	M8x1	-	-
	1 1/2	80	3.15	30.2	1.189	43.7	1.72	22	0.866	1.1	0.043	29.1	17.8	14	SAA208-24FP7	11	0.433	25	0.984	6.8	0.268	60.3	2.374	-	5/16-24UNF	0.75
40		80	3.15	30.2	1.189	43.7	1.72	22	0.866	1.1	0.043	29.1	17.8	14	SAA208FP7	11	0.433	25	0.984	6.8	0.268	60.3	2.374	M8x1	-	0.75
40		80	3.15	40	1.575	43.7	1.72	22	0.866	1.1	0.043	29.1	17.8	14	SAA208	11	0.433	25	0.984	6.8	0.268	60.3	2.374	M8x1	-	0.75

FP7 = Regreasable
No FP7 = Greased for life of bearing