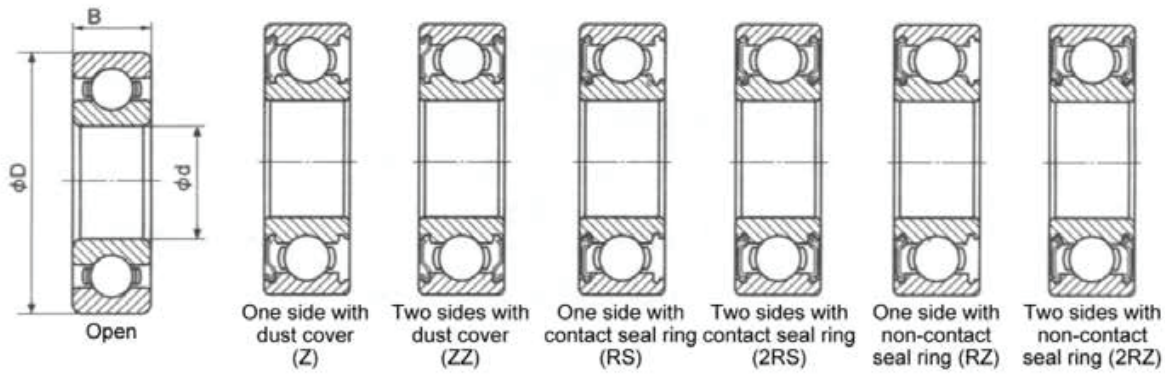
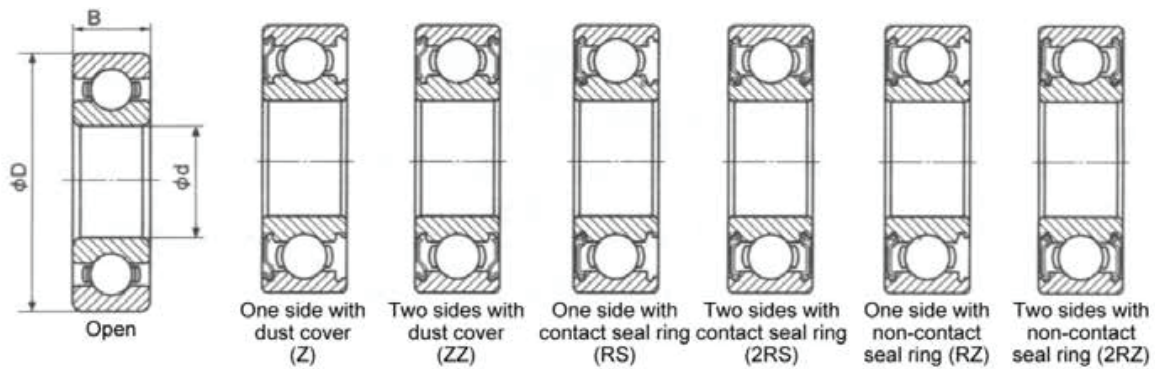


# Deep Groove Ball Bearings

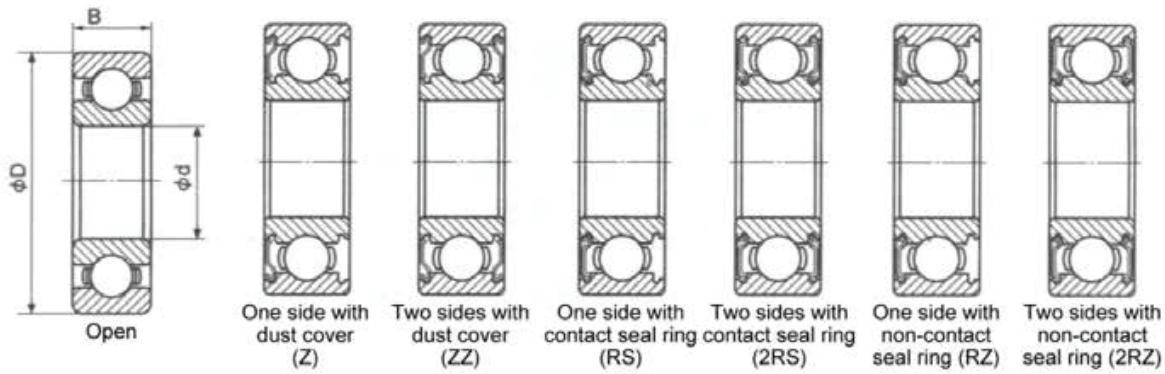


Part No.			d (mm)	D (mm)	B (mm)	Dynamic load (kN)	Static load (kN)	N.W. (kg)
Open	With Shields	With Seals						
6000	6000-ZZ	6000-2RS	10	26	8	4.55	1.97	0.019
6001	6001-ZZ	6001-2RS	12	28	8	5.10	2.39	0.023
6002	6002-ZZ	6002-2RS	15	32	9	5.60	2.84	0.032
6003	6003-ZZ	6003-2RS	17	35	10	6.00	3.25	0.039
6004	6004-ZZ	6004-2RS	20	42	12	9.40	5.00	0.070
6005	6005-ZZ	6005-2RS	25	47	12	10.10	5.85	0.079
6006	6006-ZZ	6006-2RS	30	55	13	13.20	8.30	0.117
6007	6007-ZZ	6007-2RS	35	62	14	16.00	10.30	0.156
6008	6008-ZZ	6008-2RS	40	68	15	16.80	11.50	0.194
6009	6009-ZZ	6009-2RS	45	75	16	20.90	15.20	0.246
6010	6010-ZZ	6010-2RS	50	80	16	21.80	16.60	0.264
6011	6011-ZZ	6011-2RS	55	90	18	28.30	21.30	0.384
6012	6012-ZZ	6012-2RS	60	95	18	29.40	23.20	0.418
6013	6013-ZZ	6013-2RS	65	100	18	30.50	25.20	0.438
6014	6014-ZZ	6014-2RS	70	110	20	38.00	31.00	0.607
6015	6015-ZZ	6015-2RS	75	115	20	39.50	33.50	0.645
6016	6016-ZZ	6016-2RS	80	125	22	47.50	39.50	0.855
6017	6017-ZZ	6017-2RS	85	130	22	49.50	43.00	0.895
6018	6018-ZZ	6018-2RS	90	140	24	58.00	49.50	1.170
6019	6019-ZZ	6019-2RS	95	145	24	60.50	54.00	1.220
6020	6020-ZZ	6020-2RS	100	150	24	60.00	54.00	1.260
6200	6200-ZZ	6200-2RS	10	30	9	5.10	2.39	0.032
6201	6201-ZZ	6201-2RS	12	32	10	6.80	3.05	0.037
6202	6202-ZZ	6202-2RS	15	35	11	7.65	3.70	0.045
6203	6203-ZZ	6203-2RS	17	40	12	9.55	4.80	0.065
6204	6204-ZZ	6204-2RS	20	47	14	12.80	6.60	0.106
6205	6205-ZZ	6205-2RS	25	52	15	14.00	7.90	0.128

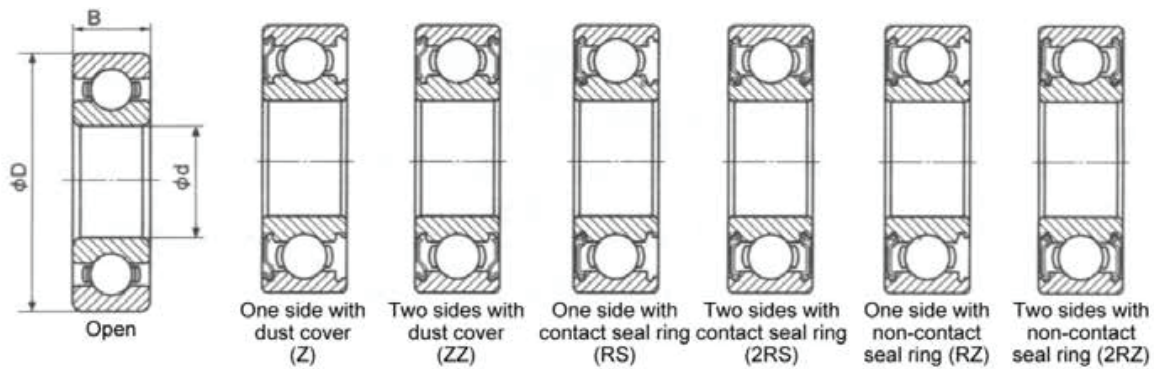


Part No.			d (mm)	D (mm)	B (mm)	Dynamic load (kN)	Static load (kN)	N.W. (kg)
Open	With Shields	With Seals						
6206	6206-ZZ	6206-2RS	30	62	16	19.50	11.30	0.199
6207	6207-ZZ	6207-2RS	35	72	17	25.70	15.30	0.288
6208	6208-ZZ	6208-2RS	40	80	18	29.10	17.90	0.366
6209	6209-ZZ	6209-2RS	45	85	19	32.50	20.50	0.407
6210	6210-ZZ	6210-2RS	50	90	20	35.00	23.20	0.463
6211	6211-ZZ	6211-2RS	55	100	21	43.50	29.30	0.607
6212	6212-ZZ	6212-2RS	60	110	22	52.50	36.00	0.783
6213	6213-ZZ	6213-2RS	65	120	23	57.00	40.00	0.990
6214	6214-ZZ	6214-2RS	70	125	24	62.00	44.00	1.070
6215	6215-ZZ	6215-2RS	75	130	25	66.00	49.50	1.180
6216	6216-ZZ	6216-2RS	80	140	26	72.50	53.00	1.400
6217	6217-ZZ	6217-2RS	85	150	28	84.00	62.00	1.790
6218	6218-ZZ	6218-2RS	90	160	30	96.00	71.50	2.150
6219	6219-ZZ	6219-2RS	95	170	32	109.00	81.50	2.620
6220	6220-ZZ	6220-2RS	100	180	34	122.00	93.00	3.140
6300	6300-ZZ	6300-2RS	10	35	11	8.10	3.45	0.053
6301	6301-ZZ	6301-2RS	12	37	12	9.75	4.25	0.060
6302	6302-ZZ	6302-2RS	15	42	13	14.00	5.40	0.082
6303	6303-ZZ	6303-2RS	17	47	14	13.60	6.55	0.115
6304	6304-ZZ	6304-2RS	20	52	15	15.90	7.90	0.144
6305	6305-ZZ	6305-2RS	25	62	17	23.60	12.10	0.232
6306	6306-ZZ	6306-2RS	30	72	19	26.70	15.00	0.346
6307	6307-ZZ	6307-2RS	35	80	21	33.50	19.20	0.457
6308	6308-ZZ	6308-2RS	40	90	23	40.50	24.10	0.633
6309	6309-ZZ	6309-2RS	45	100	25	53.00	32.00	0.833
6310	6310-ZZ	6310-2RS	50	110	27	62.00	38.00	1.070
6311	6311-ZZ	6311-2RS	55	120	29	71.50	44.50	1.370

# Deep Groove Ball Bearings

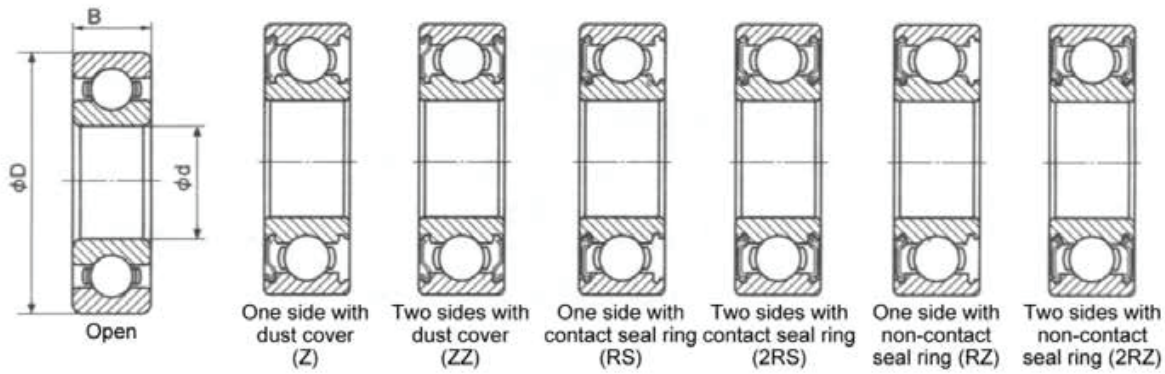


Part No.			d (mm)	D (mm)	B (mm)	Dynamic load (kN)	Static load (kN)	N.W. (kg)
Open	With Shields	With Seals						
6312	6312-ZZ	6312-2RS	60	130	31	82.00	52.00	1.700
6313	6313-ZZ	6313-2RS	65	140	33	92.50	59.50	2.080
6314	6314-ZZ	6314-2RS	70	150	35	104.00	68.00	2.520
6315	6315-ZZ	6315-2RS	75	160	37	113.00	77.00	3.020
6316	6316-ZZ	6316-2RS	80	170	39	123.00	86.50	3.590
6317	6317-ZZ	6317-2RS	85	180	41	133.00	96.50	4.230
6318	6318-ZZ	6318-2RS	90	190	43	143.00	107.00	4.910
6319	6319-ZZ	6319-2RS	95	200	45	153.00	118.00	5.670
6320	6320-ZZ	6320-2RS	100	215	47	173.00	141.00	7.000
16001	16001-ZZ	16001-2RS	12	28	7	5.10	2.37	0.020
16002	16002-ZZ	16002-2RS	15	32	8	5.60	2.84	0.025
16003	16003-ZZ	16003-2RS	17	35	8	6.00	3.25	0.032
16004	16004-ZZ	16004-2RS	20	42	8	7.90	4.50	0.050
16005	16005-ZZ	16005-2RS	25	47	8	6.95	4.60	0.060
16006	16006-ZZ	16006-2RS	30	55	9	9.95	6.55	0.085
16007	16007-ZZ	16007-2RS	35	62	9	11.70	8.15	0.110
16008	16008-ZZ	16008-2RS	40	68	9	11.10	8.55	0.125
61800	61800-ZZ	61800-2RS	10	19	5	2.12	0.99	0.005
61801	61801-ZZ	61801-2RS	12	21	5	1.92	1.04	0.006
61802	61802-ZZ	61802-2RS	15	24	5	2.08	1.26	0.007
61803	61803-ZZ	61803-2RS	17	26	5	2.63	1.57	0.008
61804	61804-ZZ	61804-2RS	20	32	7	4.00	2.64	0.019
61805	61805-ZZ	61805-2RS	25	37	7	4.30	2.94	0.022
61806	61806-ZZ	61806-2RS	30	42	7	5.35	3.80	0.026
61807	61807-ZZ	61807-2RS	35	47	7	4.75	3.80	0.029
61808	61808-ZZ	61808-2RS	40	52	7	5.95	4.90	0.033
61809	61809-ZZ	61809-2RS	45	58	7	5.35	4.90	0.040



Part No.			d (mm)	D (mm)	B (mm)	Dynamic load (kN)	Static load (kN)	N.W. (kg)
Open	With Shields	With Seals						
61810	61810-ZZ	61810-2RS	50	65	7	6.40	5.80	0.052
61811	61811-ZZ	61811-2RS	55	72	9	8.80	8.10	0.083
61812	61812-ZZ	61812-2RS	60	78	10	10.35	10.18	0.103
61813	61813-ZZ	61813-2RS	65	85	10	11.90	11.50	0.125
61814	61814-ZZ	61814-2RS	70	90	10	12.10	11.90	0.135
61832	61832-ZZ	61832-2RS	160	200	20	56.50	48.50	1.300
61836	61836-ZZ	61836-2RS	180	225	22	60.50	73.00	2.020
61872M	-	-	360	440	38	192.00	290.00	11.80
61900	61900-ZZ	61900-2RS	10	22	6	2.49	1.13	0.009
61901	61901-ZZ	61901-2RS	12	24	6	2.70	1.32	0.011
61902	61902-ZZ	61902-2RS	15	28	7	4.30	2.25	0.016
61903	61903-ZZ	61903-2RS	17	30	7	4.60	2.55	0.018
61904	61904-ZZ	61904-2RS	20	37	9	6.35	3.70	0.036
61905	61905-ZZ	61905-2RS	25	42	9	7.00	4.50	0.042
61906	61906-ZZ	61906-2RS	30	47	9	7.25	5.00	0.045
61907	61907-ZZ	61907-2RS	35	55	10	10.40	7.15	0.073
61908	61908-ZZ	61908-2RS	40	62	12	13.70	9.95	0.108
61909	61909-ZZ	61909-2RS	45	68	12	14.10	10.90	0.122
61910	61910-ZZ	61910-2RS	50	72	12	14.50	11.70	0.125
61911	61911-ZZ	61911-2RS	55	80	13	16.00	13.20	0.177
61912	61912-ZZ	61912-2RS	60	85	13	15.20	13.50	0.191
61913	61913-ZZ	61913-2RS	65	90	13	17.40	16.00	0.200
61914	61914-ZZ	61914-2RS	70	100	16	23.70	21.10	0.327
61915	61915-ZZ	61915-2RS	75	105	16	24.30	22.50	0.345
-	604-ZZ/EMQ	604-2RS/EMQ	4	12	4	0.97	0.36	0.002
-	605-ZZ/EMQ	605-2RS/EMQ	5	14	5	1.33	0.51	0.004
-	607-ZZ/EMQ	607-2RS/EMQ	7	19	6	2.24	0.91	0.008

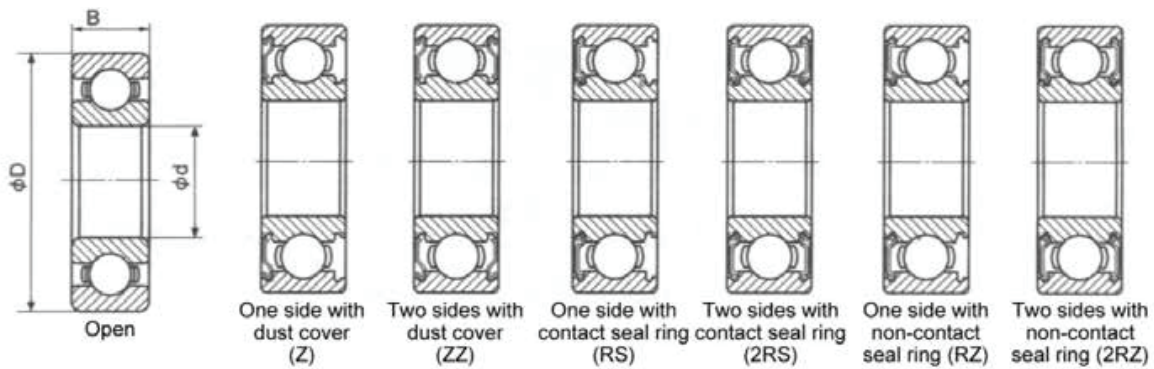
# Deep Groove Ball Bearings



Part No.			d (mm)	D (mm)	B (mm)	Dynamic load (kN)	Static load (kN)	N.W. (kg)
Open	With Shields	With Seals						
-	608-2Z/EMQ	608-2RS/EMQ	8	22	7	3.35	1.40	0.012
-	609-2Z/EMQ	609-2RS/EMQ	9	24	7	3.40	1.45	0.014
-	623-2Z/EMQ	623-2RS/EMQ	3	10	4	0.64	0.22	0.002
-	624-2Z/EMQ	624-2RS/EMQ	4	13	5	1.31	0.49	0.003
-	625-2Z/EMQ	625-2RS/EMQ	5	16	5	1.76	0.68	0.005
-	626-2Z/EMQ	626-2RS/EMQ	6	19	6	2.34	0.89	0.008
-	627-2Z/EMQ	627-2RS/EMQ	7	22	7	3.35	1.40	0.013
-	629-2Z/EMQ	629-2RS/EMQ	9	26	8	4.55	1.96	0.020
-	634-2Z/EMQ	634-2RS/EMQ	4	16	5	1.76	0.68	0.005
-	636-2Z/EMQ	636-2RS/EMQ	6	22	7	3.30	1.37	0.014
-	638-2Z/EMQ	638-2RS/EMQ	8	28	9	4.55	1.97	0.028
-	685-2Z/EMQ	685-2RS/EMQ	5	11	5	0.72	0.28	0.002
-	686-2Z/EMQ	686-2RS/EMQ	6	13	5	1.08	0.44	0.003
-	689-2Z/EMQ	689-2RS/EMQ	9	17	5	1.72	0.82	0.004
-	695-2Z/EMQ	695-2RS/EMQ	5	13	4	1.08	0.43	0.002
-	696-2Z/EMQ	696-2RS/EMQ	6	15	5	1.35	0.53	0.004
-	699-2Z/EMQ	699-2RS/EMQ	9	20	6	2.48	1.09	0.008







Part No.	d (mm)	D (mm)	B (mm)	Dynamic load (kN)	Static load (kN)	N.W. (kg)
60/22-2RS	22	44	12	9.40	5.05	0.074
60/28-2RS	28	52	12	12.50	7.40	0.096
60/32-2RS	32	58	13	15.10	9.15	0.122
62/22-2RS	22	50	14	13.90	6.95	0.120
62/28-2RS	28	58	16	17.90	9.75	0.175
62201-2RS	12	32	14	6.89	3.10	0.045
62202-2RS	15	35	14	7.80	3.75	0.054
62203-2RS	17	40	16	9.56	4.75	0.083
62204-2RS	20	47	18	12.70	6.55	0.130
62205-2RS	25	52	18	14.00	7.80	0.150
62206-2RS	30	62	20	19.50	11.20	0.240
62207-2RS	35	72	23	25.50	15.30	0.370
62208-2RS	40	80	23	30.70	19.00	0.440
62209-2RS	45	85	23	33.20	21.60	0.480
62210-2RS	50	90	23	35.10	23.20	0.520

