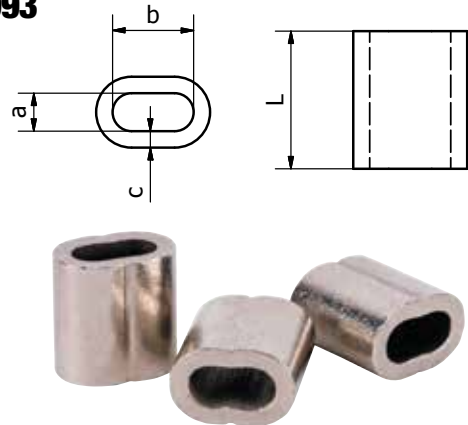


## BEAVER STAINLESS STEEL WIRE (CONT'D)

### BEAVER NICKLE PLATED COPPER FERRULES TO DIN 3093

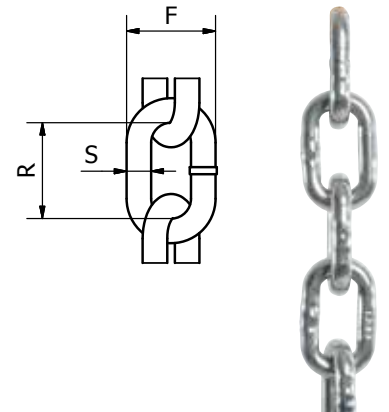
Code	Size mm	a mm	b mm	c mm	L mm	UOM	Pack Qty
617416NP	1.6	1.8	3.6	1.05	6	Each	100
617402NP	2	2.2	4.4	0.90	7	Each	100
617402ANP	2.5	2.7	5.4	1.05	9	Each	100
617403NP	3	3.3	6.6	1.25	11	Each	100
617404NP	4	4.4	8.8	1.7	14	Each	100
617405NP	5	5.5	11.0	2.1	18	Each	100
617406NP	6	6.6	13.2	2.5	21	Each	100



### BEAVER G304 STAINLESS STEEL CHAIN SHORT LINK

Short Link – Sizes 4-10mm

Code	Size mm	S mm	R mm	F mm	Weight Per Mtr	Finish	UOM	Metres Per 100 kg
147104	4	4	18.6	16	0.32	Polished	Metre	384.6
147106	6	6	26	23.5	0.72	Polished	Metre	137.3
147108	8	8	32.2	29.5	1.28	Polished	Metre	80
147110	10	10	39	36.2	2.06	Polished	Metre	49.6



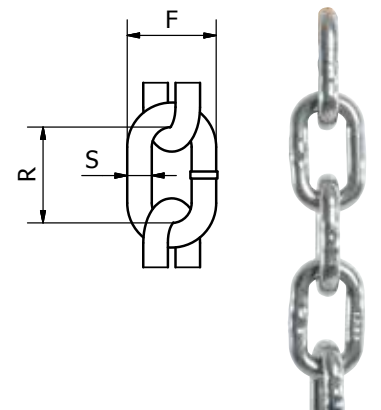
Metres per drum are subject to + or - 10% on actual metreage

**NOT TO BE USED FOR LIFTING**

### BEAVER G316 STAINLESS STEEL CHAIN SHORT LINK

Short Link – Sizes 2-13mm

Code	Size mm	S mm	R mm	F mm	Weight Per Mtr	Finish	UOM	Metres Per 100 kg
146102	2	2	14.8	8.25	0.08	Polished	Metre	1666.6
146104	4	4	18.6	16	0.32	Polished	Metre	384.6
146106	6	6	26	23.5	0.72	Polished	Metre	137.3
146108	8	8	32.2	29.5	1.28	Polished	Metre	80
146110	10	10	39	36.2	2.06	Polished	Metre	49.6
146113	13	13	49.1	46.1	3.36	Polished	Metre	28.7



Metres per drum are subject to + or - 10% on actual metreage

**NOT TO BE USED FOR LIFTING**