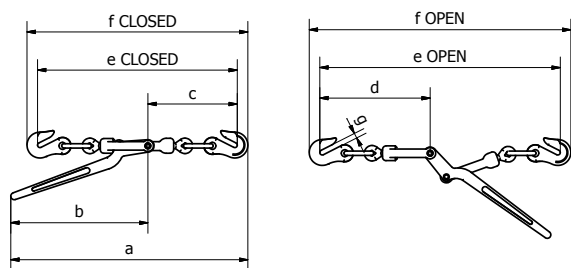


BEAVER GRADE 70 LOADBINDERS

BEAVER GRADE 70 DOUBLE SWIVEL (OVER CENTRE LOADBINDER)

Lever Loadbinders (Forged) AS/NZS 4344

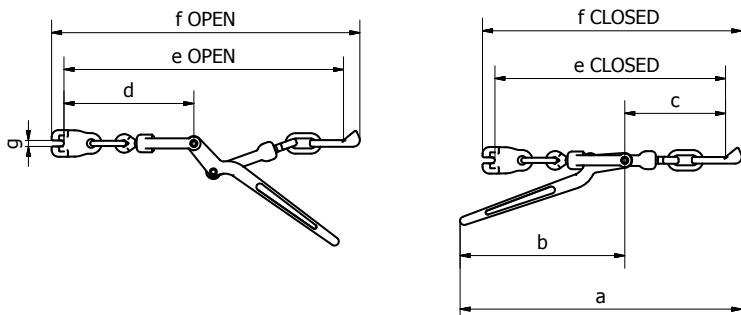
Code	Chain Size and Description	f Closed mm	e Closed mm	d mm	b mm	a mm	f Open mm	e Open mm	c mm	g mm	LC (Kg)	Weight (Kg)	UOM
345006A	6mm c/w winged eye grab hooks*	409	365	215	293	470	484	440	164	6.5	2300	1.68	Each
348000	7-8mm c/w winged eye grab hooks*	558	503	287	383	600	662	607	217	8.5	3800	3.7	Each
348010	10mm c/w winged eye grab hooks*	638	570	325	420	760	758	690	250	10.5	6000	5.7	Each
348013	13mm c/w winged eye grab hooks*	747	661	375	490	819	876	790	285	13.5	9000	10.5	Each



BEAVER GRADE 70 DOUBLE SWIVEL (OVER CENTRE LOADBINDER)

Claw Lever Loadbinders (Forged) AS/NZS 4344

Code	Chain Size and Description	f Closed mm	e Closed mm	d mm	b mm	a mm	f Open mm	e Open mm	c mm	g mm	LC (Kg)	Weight (Kg)	UOM
348000EC	7-8mm c/w eye claw hooks	529	489	280	400	601	633	593	208	8.5	3800	3.9	Each



GRADE 70 LASHINGS & FITTINGS ARE NOT TO BE USED FOR LIFTING PURPOSES

* NOTE: The use of some grab hooks or systems incorporating grab hooks cause bending to occur on the link of lashing chain to which the grab hook is engaged. The bending and shearing effect of the hook reduces the strength of the chain by 25 percent and as such, the lashing capacity (LC) of this type of system must be reduced by 25 percent as prescribed in Australian Standard AS/NZS 4344