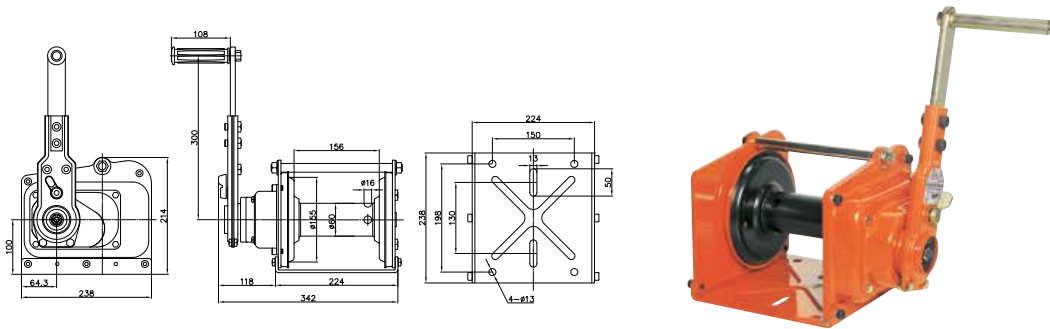


BEAVER BRAKE HAND WINCHES (CONT'D)

BEAVER INDUSTRIAL HEAVY DUTY CONSTRUCTION WINCH - POWDER COATED

Suitable For Confined Spaces

Model No. - Bare	Rated Capacity - Pulling (kg)	Rated Capacity - Hoisting (kg)	Type of Brake	Max. Hand force required (kg)	Gear ratio	Hub Diameter mm	Handle length mm	Wire Rope Dia. mm	Wire Rope construction	Grade of Wire Rope	Wire Rope Storage Capacity m	Weight (kg)
SF2200	850	1700	Weston type mechanical load brake	16	22.2:1	ø60	195	Ø6.4	7 x 19	G1770 - G2070	32	13.5



BEAVER WORM DRIVE WINCH

For Safe Controlled Movement of a Load

Model No. - Bare	Rated Capacity - Pulling (kg)	Rated Capacity - Hoisting (kg)	Type of Brake	Max. Hand force required (kg)	Gear ratio	Hub Diameter mm	Handle length mm	Wire Rope Diameter mm	Wire Rope construction	Grade of Wire Rope
HW1500	680	N/A	Worm Gear	4.5	41:1	ø48	195	Ø4	7 x 19	G1770 - G2070

