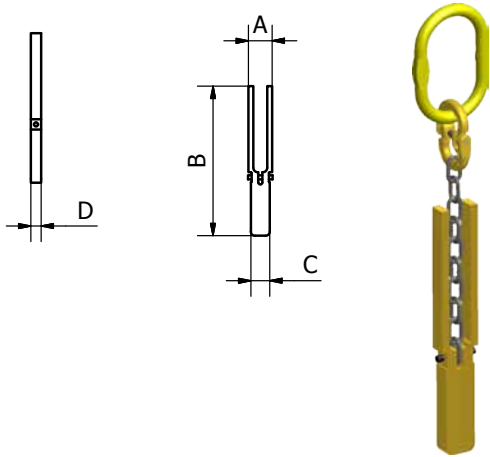


## BEAVER MATERIALS HANDLING (CONT'D)

### BEAVER PIPE LIFTERS 2 TONNE

Product Code	WLL Tonne	A mm	B mm	C mm	D mm	Net Weight (kg)	UOM
266020	2T	58	365	46	25	2	Each



### BEAVER PIPE LIFTERS 5 TONNE

Product Code	WLL Tonne	A mm	B mm	C mm	D mm	E mm	F mm	H mm	L mm	Net Weight (kg)	UOM
266050	5T	70	70	405	65	9	26	500	1000	9	Each

