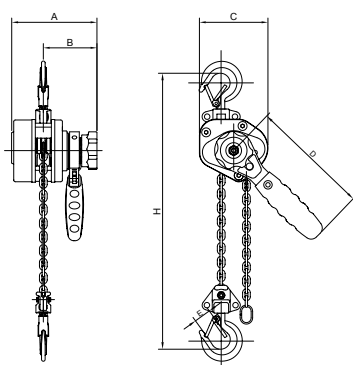


For spare parts see pages 119-125

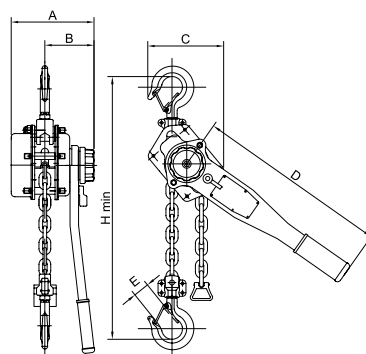
BEAVER 3S INDUSTRIAL MANUAL LEVER BLOCKS

Complies to AS 1418.2 and approved Colour Coded to Match International Lifting Standard

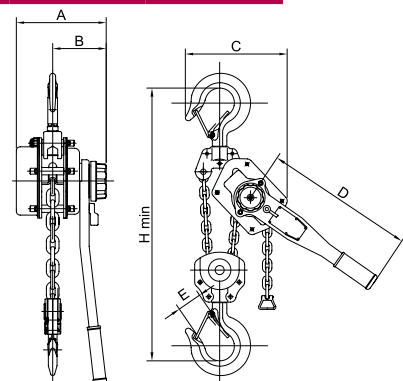
Product Code		506025	506050	506080	506160	506320	506630
Rated Capacity (kg)		250	500	800	1600	3200	6300
Colour Code		Grey	Grey	White	Violet	Yellow	Brown
Standard Lift	Metre	1.5	1.5	1.5	1.5	1.5	1.5
Test Load	KN	4.9	9.8	11.3	22.5	45	90
Headroom	H (mm)	200	250	325	380	480	620
Effort on lever to lift full load	N	210	320	140	240	320	340
No. of load chain falls	-	1	1	1	1	1	2
Diameter of load chain	mm	4	4	6x18	8x24	10x30	10x30
Length of Lever Handle	D (mm)	145	160	280	410	410	410
Dimensions mm	A	87	100.5	148	172	200	200
	B	55.5	62.5	90	98	115	115
	C	68	81	136	160	180	235
	E	21	24.5	30	35	40	50
Net Weight	kg	1.5	2.5	7	11	21	31



250kg & 500kg



1.6 Tonne & 3.2 tonne



6.3 tonne

