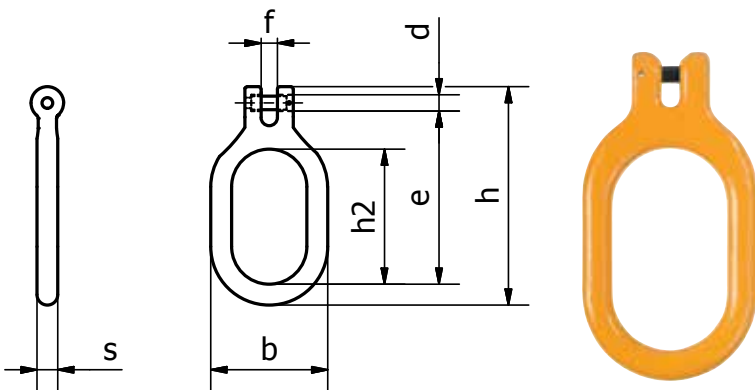


BEAVER GRADE 80 MASTER LINK (CONT'D)

BEAVER GRADE 80 CLEVIS SINGLE MASTER LINK

Code	Chain Size mm	WLL (kg)	e mm	b mm	h mm	h2 mm	d mm	f mm	s mm	Approx Weight (kg)	UOM	Pack Qty
882007	7-8	2000	138	92	163.7	105	9.7	9	16	0.7	Each	1
882010	10	3200	167	111	197	128	12	12	18	1.2	Each	1
882013	13	5300	203	134	241	150	16	15	22	2.3	Each	1
882016	16	8000	230	152	276	165	20	18	26	3.8	Each	1



BEAVER GRADE 80 COMPONENT CONNECTORS

BEAVER GRADE 80 COMPONENT CONNECTOR

Code	Chain Size mm	WLL (kg)	b mm	c mm	e mm	g mm	d mm	s mm	Approx Weight (kg)	UOM	Pack Qty	Replacement Pin and Stud Kit
C6	6	1100	40	7	45	18	7.7	10.5	0.07	Each	20	894206BA
C7-8	7-8	2000	49.5	10.2	57	19	9.3	15.2	0.15	Each	20	894208BA
C10	10	3200	63	12	73	27	12.9	17.2	0.35	Each	30	894210BA
C13	13	5300	82	16	88	34	16.8	22.7	0.68	Each	20	894213BA
C16	16	8000	105	19	103	39	20.6	28	1.1	Each	12	894216BA
C20	20	12500	122	23.5	116	47	25.8	34.8	2.2	Each	8	894220BA
C22	22	15000	135	26.5	133	55	28.3	35.5	2.72	Each	6	894222BA
C26	26	21200	163	31.5	148	60	33.4	42	5.05	Each	4	894226BA
C32	32	31500	206	38	183	79	40.8	51	10.02	Each	2	894232BA

