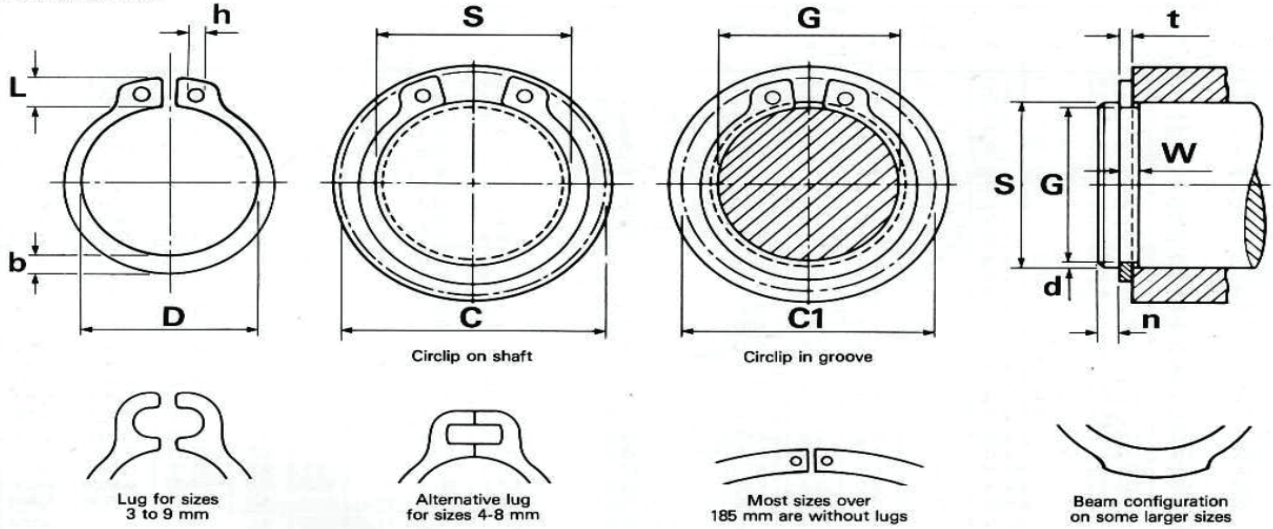


"Why compete against your supplier when you can be our partner"

All dimensions in mm



Circlips - External																	
SIZE CODE	SHAFT		GROOVE (G)					CIRCLIP (F)									
	S	G	Tol.	W	Tol.	n (min.)	d~	t	Tol.	D	Tol.	C	C1	L (max)	b~	h (min)	
1400-4	4	3.8	(+0.00 -0.048)	0.5		0.3	0.1	0.4			3.7		8.6	8.2	2.2	0.9	1
1400-5	5	4.8		0.7		0.3	0.1	0.6			4.7		10.3	9.8	2.5	1.1	1
1400-6	6	5.7		0.8		0.5	0.15	0.7			5.6		11.7	11.1	2.7	1.3	1.2
1400-7	7	6.7	(+0.00 -0.06)	0.9		0.5	0.15	0.8			6.5	(+0.06 -0.18)	13.5	12.9	3.1	1.4	1.2
1400-8	8	7.6		0.9		0.6	0.2	0.8			7.4		14.7	14	3.2	1.5	1.2
1400-9	9	8.6		1.1		0.6	0.2	1			8.4		16	15.2	3.3	1.7	1.2
1400-10	10	9.6	(+0.00 -0.11)	1.1		0.6	0.2	1			9.3	(+0.10 -0.36)	17	16.2	3.3	1.8	1.5
1400-11	11	10.5		1.1		0.8	0.25	1			10.2		18	17.1	3.3	1.8	1.5
1400-12	12	11.5		1.1		0.8	0.25	1			11		19	18.1	3.3	1.8	1.7
1400-13	13	12.4	(+0.00 -0.13)	1.1		0.9	0.3	1			11.9		20.2	19.2	3.4	2	1.7
1400-14	14	13.4		1.1		0.9	0.3	1			12.9		21.4	20.4	3.5	2.1	1.7
1400-15	15	14.3		1.1		1.1	0.35	1			13.8		22.5	21.5	3.6	2.2	1.7
1400-16	16	15.2	(+0.00 -0.21)	1.1		1.2	0.4	1			14.7	(+0.21 -0.42)	23.8	22.6	3.7	2.2	1.7
1400-17	17	16.2		1.1		1.2	0.4	1			15.7		25	23.8	3.8	2.3	1.7
1400-18	18	17		1.3		1.5	0.5	1.2			(+0.00 -0.06)		16.5	26.2	24.8	3.9	2.4
1400-19	19	18	(+0.00 -0.13)	1.3		1.5	0.5	1.2			17.5		27.2	25.8	3.9	2.5	2
1400-20	20	19		1.3		1.5	0.5	1.2			18.5		28.4	27	4	2.6	2
1400-21	21	20		1.3		1.5	0.5	1.2			19.5		29.6	28.2	4.1	2.7	2
1400-22	22	21	(+0.00 -0.21)	1.3		1.5	0.5	1.2			20.5	(+0.13 -0.42)	30.8	29.4	4.2	2.8	2
1400-23	23	22		1.3		1.5	0.5	1.2			21.5		32	30.6	4.3	2.9	2
1400-24	24	22.9		1.3		1.7	0.55	1.2			22.2		33.2	31.7	4.4	3	2
1400-25	25	23.9	(+0.00 -0.21)	1.3		1.7	0.55	1.2			23.2	(+0.21 -0.42)	34.2	32.7	4.4	3	2
1400-26	26	24.9		1.3		1.7	0.55	1.2			24.2		35.5	33.9	4.5	3.1	2
1400-27	27	25.6		1.3		2.1	0.7	1.2			24.9		36.7	34.8	4.6	3.1	2
1400-28	28	26.6		1.6		2.1	0.7	1.5			25.9		37.9	36	4.7	3.2	2

Stainless Steel Circlips - External



"Australia's Only Genuine Wholesaler"

Finer Power Transmissions P/L | www.finerpt.com

Circlips - External																	
SIZE CODE	SHAFT		GROOVE (G)					CIRCLIP (F)									
	S	G	Tol.	W	Tol.	n (min.)	d~	t	Tol.	D	Tol.	C	C1	L (max)	b~	h (min)	
1400-29	29	27.6	(+0.00 -0.21)	1.6	(+0.14 -0.00)	2.1	0.7	1.5	(+0.00 -0.06)	26.9	(+0.21 -0.42)	39.1	37.2	4.8	3.4	2	
1400-30	30	28.6		1.6		2.1	0.7	1.5		27.9		40.5	38.6	5	3.5	2	
1400-32	32	30.3	1.6	2.6		0.85	1.5	29.6		43		40.7	5.2	3.6	2.5		
1400-33	33	31.3	1.6	2.6		0.85	1.5	30.5		(+0.25 -0.5)	44	41.7	5.2	3.7	2.5		
1400-35	35	33	1.6	3		1	1.5	32.2			46.8	44.2	5.6	3.9	2.5		
1400-36	36	34	1.85	3		1	1.75	33.2			47.8	45.2	5.6	4	2.5		
1400-37	37	35	1.85	3		1	1.75	34.2			49	47	5.7	4.1	2.5		
1400-38	38	36	1.85	3		1	1.75	35.2			50.2	47.6	5.8	4.2	2.5		
1400-39	39	37	1.85	3		1	1.75	36			51.4	48.5	5.9	4.3	2.5		
1400-40	40	37.5	(+0.00 -0.25)	1.85		3.8	1.25	1.75			36.5	(+0.39 -0.90)	52.6	49.5	6	4.4	2.5
1400-41	41	38.5		1.85		3.8	1.25	1.75			37.5		54	51.5	6.2	4.5	2.5
1400-42	42	39.5		1.85		3.8	1.25	1.75			38.5		55.7	52.5	6.5	4.5	2.5
1400-45	45	42.5		1.85		3.8	1.25	1.75			41.5		59.1	55.9	6.7	4.7	2.5
1400-47	47	44.5		1.85		3.8	1.25	1.75		43.5	61.3		58.1	6.8	4.9	2.5	
1400-48	48	45.5		1.85		3.8	1.25	1.75		44.5	62.5		59.3	6.9	5	2.5	
1400-50	50	47		2.15		4.5	1.5	2		45.8	64.5		60.8	6.9	5.1	2.5	
1400-52	52	49		2.15		4.5	1.5	2		47.8	66.7		63	7	5.2	2.5	
1400-55	55	52		(+0.00 -0.30)	2.15	4.5	1.5	2	50.8	(+0.46 -1.10)	70.2		66.4	7.2	5.4	2.5	



Assortment