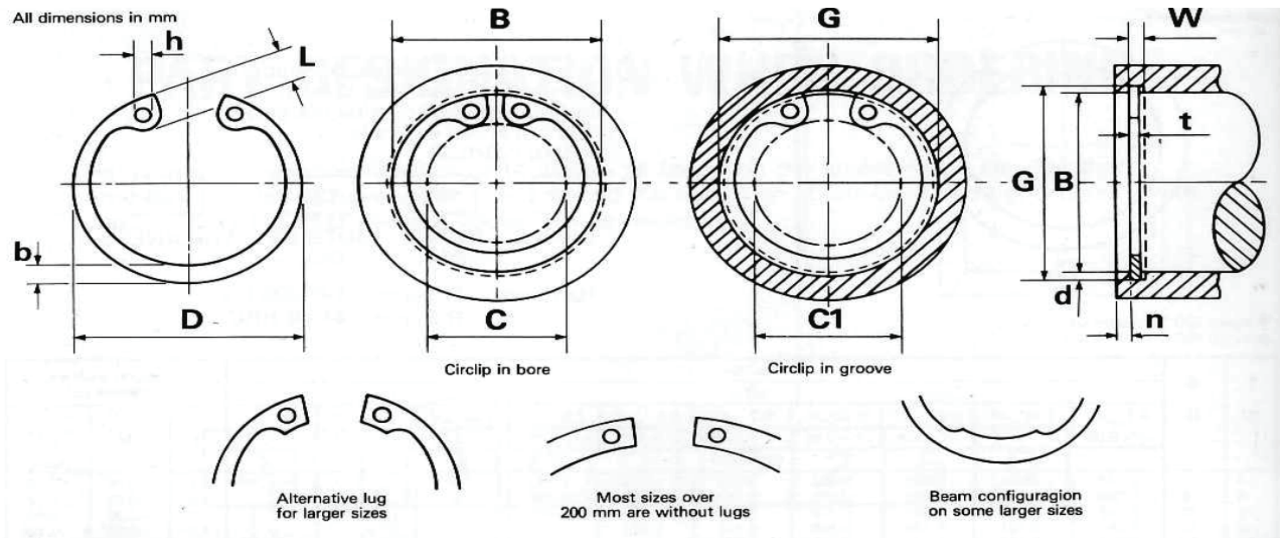


"Why compete against your supplier when you can be our partner"



Stainless Steel Circlips - Internal																
SIZE CODE	BORE		GROOVE (G)					CIRCLIP (F)								
	B	G	Tol.	W	Tol.	n (min.)	d~	t	Tol.	D	Tol.	C	C1	L (max)	b~	h (min)
1300-10	10	10.4	(+0.11 -0.00)	1.1		0.6	0.2	1		10.8		3.3	4	3.2	1.4	1.2
1300-11	11	11.4		1.1		0.6	0.2	1		11.8		4.1	4.8	3.3	1.5	1.2
1300-12	12	12.5		1.1		0.8	0.25	1		13		4.9	5.7	3.4	1.7	1.5
1300-13	13	13.6		1.1		0.9	0.3	1		14.1		5.4	6.4	3.6	1.8	1.5
1300-14	14	14.6		1.1		0.9	0.3	1		15.1		6.2	7.2	3.7	1.9	1.7
1300-15	15	15.7		1.1		1.1	0.35	1		16.2		7.2	8.3	3.7	2	1.7
1300-16	16	16.8		1.1		1.2	0.4	1		17.3		8	9.2	3.8	2	1.7
1300-17	17	17.8	(+0.13 -0.00)	1.1		1.2	0.4	1		18.3	(+0.42 -0.13)	8.8	10	3.9	2.1	1.7
1300-18	18	19		1.1		1.5	0.5	1		19.5		9.4	10.8	4.1	2.2	2
1300-19	19	20		1.1		1.5	0.5	1		20.5		10.4	11.8	4.1	2.2	2
1300-20	20	21		1.1		1.5	0.5	1		21.5		11.2	12.6	4.2	2.3	2
1300-21	21	22		1.1		1.5	0.5	1		22.5		12.2	13.6	4.2	2.4	2
1300-22	22	23		1.1		1.5	0.5	1		23.5		13.2	14.6	4.2	2.5	2
1300-24	24	25.2		(+0.21 -0.00)		1.3		1.8		0.6		1.2		25.9	(+0.42 -0.21)	14.8
1300-25	25	26.2	1.3		1.8	0.6		1.2	26.9	15.5	17.2	4.5		2.7		2
1300-26	26	27.2	1.3		1.8	0.6		1.2	27.9	16.1	17.8	4.7		2.8		2
1300-27	27	28.4	1.3		2.1	0.7		1.2	29.1	17.1	19	4.7		2.9		2
1300-28	28	29.4	1.3		2.1	0.7		1.2	30.1	17.9	19.8	4.8		2.9		2
1300-29	29	30.4	1.3		2.1	0.7		1.2	31.1	18.9	20.8	4.8		3		2
1300-30	30	31.4	(+0.25 -0.00)		1.3			2.1	0.7	1.2		32.1				19.9
1300-32	32	33.7		1.3	2.6		0.85	1.2	34.4	20.6		22.9	5.4		3.2	2.5

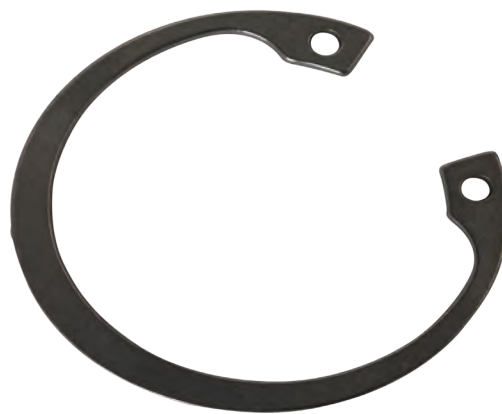
Stainless Steel Circlips - Internal



"Australia's Only Genuine Wholesaler"

Finer Power Transmissions P/L | www.finerpt.com

Circlips - Internal																
SIZE CODE	BORE		GROOVE (G)					CIRCLIP (F)								
	B	G	Tol.	W	Tol.	n (min.)	d~	t	Tol.	D	Tol.	C	C1	L (max)	b~	h (min)
1300-34	34	35.7	(+0.25 (-0.00)	1.6	(+0.14 (-0.00)	2.6	0.85	1.5	(+0.00 (-0.06)	36.5	(+0.50 (-0.25)	22.6	24.9	5.4	3.3	2.5
1300-35	35	37		1.6		3	1	1.5		37.8		23.6	26.2	5.4	3.4	2.5
1300-36	36	38		1.6		3	1	1.5		38.8		24.6	27.2	5.4	3.5	2.5
1300-37	37	39		1.6		3	1	1.5		39.8		25.4	28	5.5	3.6	2.5
1300-38	38	40		1.6		3	1	1.5		40.8		26.4	29	5.5	3.7	2.5
1300-39	39	41		1.6		3	1	1.5		42	27.3	29.8	5.6	3.8	2.5	
1300-40	40	42.5		1.85		3.8	1.25	1.75		43.5	27.8	30.9	5.8	3.9	2.5	
1300-42	42	44.5		1.85		3.8	1.25	1.75		45.5	29.6	32.7	5.9	4.1	2.5	
1300-45	45	47.5		1.85		3.8	1.25	1.75		48.5	32	35.1	6.5	4.3	2.5	
1300-47	47	49.5		1.85		3.8	1.25	1.75		50.5	33.5	36.7	6.4	4.4	2.5	
1300-50	50	53	(+0.30 (-0.00)	2.15	(+0.00 (-0.07)	4.5	1.5	2	(+0.00 (-0.07)	54.2	(+1.10 (-0.46)	36.3	40	6.5	4.6	2.5
1300-51	51	54		2.15		4.5	1.5	2		55.2		37.3	41	6.5	4.7	2.5
1300-52	52	55		2.15		4.5	1.5	2		56.2		37.9	41.6	6.7	4.7	2.5
1300-55	55	58		2.15		4.5	1.5	2		59.2		40.7	44.4	6.8	5	2.5



Assortment