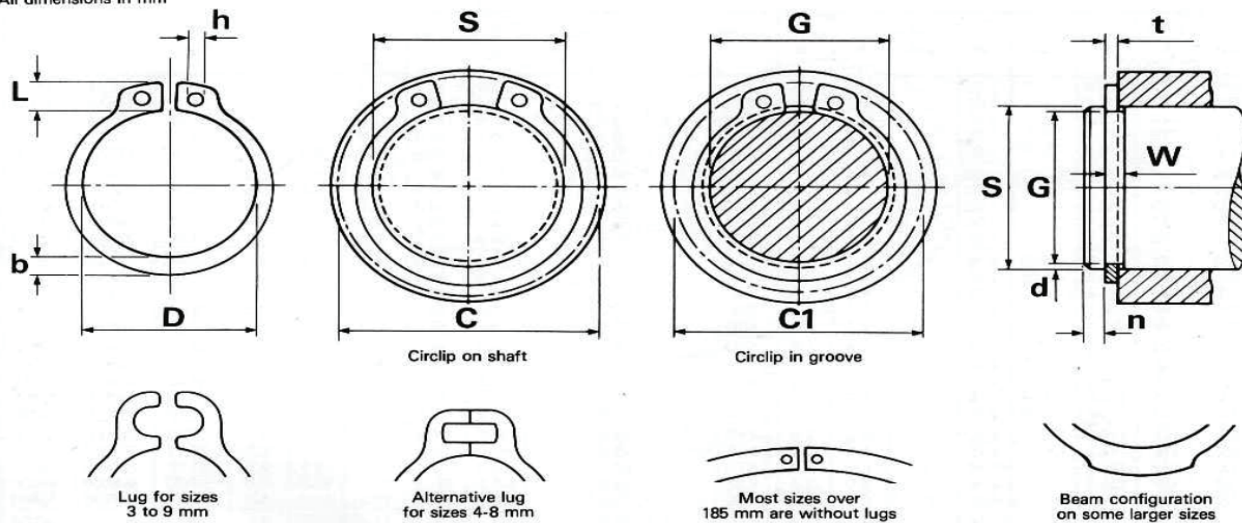


Circlips - External

All dimensions in mm



Circlips - External																
SIZE CODE	SHAFT S	GROOVE (G)						CIRCLIP (F)								
		G	Tol.	W	Tol.	n (min.)	d~	t	Tol.	D	Tol.	C	C1	L (max)	b~	h (min)
1400-3	3	2.8	(+0.00 -0.04)	0.5		0.3	0.1	0.4		2.7		7	6.6	1.9	0.8	1
1400-4	4	3.8	(+)0.00 (-)0.048	0.5		0.3	0.1	0.4	(+)0.00 (-)0.05	3.7	(+)0.04 (-)0.15	8.6	8.2	2.2	0.9	1
1400-5	5	4.8		0.7		0.3	0.1	0.6		4.7		10.3	9.8	2.5	1.1	1
1400-6	6	5.7	(+)0.00 (-)0.06	0.8		0.5	0.15	0.7		5.6		11.7	11.1	2.7	1.3	1.2
1400-7	7	6.7		0.9		0.5	0.15	0.8		6.5		13.5	12.9	3.1	1.4	1.2
1400-8	8	7.6	(+)0.00 (-)0.06	0.9		0.6	0.2	0.8		7.4	(+)0.06 (-)0.18	14.7	14	3.2	1.5	1.2
1400-9	9	8.6		1.1		0.6	0.2	1		8.4		16	15.2	3.3	1.7	1.2
1400-10	10	9.6	(+)0.00 (-)0.11	1.1		0.6	0.2	1		9.3		17	16.2	3.3	1.8	1.5
1400-11	11	10.5		1.1		0.8	0.25	1		10.2		18	17.1	3.3	1.8	1.5
1400-12	12	11.5	(+)0.00 (-)0.11	1.1		0.8	0.25	1		11		19	18.1	3.3	1.8	1.7
1400-13	13	12.4		1.1		0.9	0.3	1		11.9		20.2	19.2	3.4	2	1.7
1400-14	14	13.4	(+)0.00 (-)0.11	1.1		0.9	0.3	1		12.9	(+)0.10 (-)0.36	21.4	20.4	3.5	2.1	1.7
1400-15	15	14.3		1.1		1.1	0.35	1		13.8		22.5	21.5	3.6	2.2	1.7
1400-16	16	15.2	(+)0.00 (-)0.13	1.1		1.2	0.4	1		14.7		23.8	22.6	3.7	2.2	1.7
1400-17	17	16.2		1.1		1.2	0.4	1		15.7		25	23.8	3.8	2.3	1.7
1400-18	18	17	(+)0.00 (-)0.13	1.3		1.5	0.5	1.2		16.5		26.2	24.8	3.9	2.4	2
1400-19	19	18		1.3		1.5	0.5	1.2		17.5		27.2	25.8	3.9	2.5	2
1400-20	20	19	(+)0.00 (-)0.13	1.3		1.5	0.5	1.2		18.5		28.4	27	4	2.6	2
1400-21	21	20		1.3		1.5	0.5	1.2		19.5		29.6	28.2	4.1	2.7	2
1400-22	22	21	(+)0.00 (-)0.21	1.3		1.5	0.5	1.2		20.5	(+)0.13 (-)0.42	30.8	29.4	4.2	2.8	2
1400-23	23	22		1.3		1.5	0.5	1.2		21.5		32	30.6	4.3	2.9	2
1400-24	24	22.9	(+)0.00 (-)0.21	1.3		1.7	0.55	1.2		22.2		33.2	31.7	4.4	3	2
1400-25	25	23.9		1.3		1.7	0.55	1.2		23.2		34.2	32.7	4.4	3	2
1400-26	26	24.9	(+)0.00 (-)0.21	1.3		1.7	0.55	1.2		24.2	(+)0.21 (-)0.42	35.5	33.9	4.5	3.1	2
1400-27	27	25.6		1.3		2.1	0.7	1.2		24.9		36.7	34.8	4.6	3.1	2
1400-28	28	26.6		1.6		2.1	0.7	1.5		25.9		37.9	36	4.7	3.2	2

Circlips - External																
SIZE CODE	SHAFT		GROOVE (G)					CIRCLIP (F)								
	S	G	Tol.	W	Tol.	n (min.)	d~	t	Tol.	D	Tol.	C	C1	L (max)	b~	h (min)
1400-29	29	27.6	(+0.00 -0.21)	1.6		2.1	0.7	1.5		26.9	(+0.21 -0.42)	39.1	37.2	4.8	3.4	2
1400-30	30	28.6		1.6		2.1	0.7	1.5		27.9		40.5	38.6	5	3.5	2
1400-31	31	29.3		1.6		2.6	0.85	1.5		28.6		41.7	40.9	5.1	3.5	2.5
1400-32	32	30.3	(+0.00 -0.25)	1.6		2.6	0.85	1.5	(+0.00 -0.06)	29.6	(+0.25 -0.5)	43	40.7	5.2	3.6	2.5
1400-33	33	31.3		1.6		2.6	0.85	1.5		30.5		44	41.7	5.2	3.7	2.5
1400-34	34	32.3		1.6		2.6	0.85	1.5		31.5		45.4	43.1	5.4	3.8	2.5
1400-35	35	33		1.6		3	1	1.5		32.2		46.8	44.2	5.6	3.9	2.5
1400-36	36	34		1.85		3	1	1.75		33.2		47.8	45.2	5.6	4	2.5
1400-37	37	35		1.85		3	1	1.75		34.2		49	47	5.7	4.1	2.5
1400-38	38	36		1.85		3	1	1.75		35.2		50.2	47.6	5.8	4.2	2.5
1400-39	39	37		1.85		3	1	1.75		36		51.4	48.5	5.9	4.3	2.5
1400-40	40	37.5		1.85		3.8	1.25	1.75		36.5		52.6	49.5	6	4.4	2.5
1400-41	41	38.5		1.85		3.8	1.25	1.75		37.5		54	51.5	6.2	4.5	2.5
1400-42	42	39.5	1.85	3.8	1.25	1.75	38.5	55.7	52.5	6.5	4.5	2.5				
1400-43	43	40.5	1.85	3.8	1.25	1.75	39.5	56.8	53.5	6	5.3	2.5				
1400-44	44	41.5	1.85	3.8	1.25	1.75	40.5	57.9	55.4	6.6	4.6	2.5				
1400-45	45	42.5	1.85	3.8	1.25	1.75	41.5	59.1	55.9	6.7	4.7	2.5				
1400-46	46	43.5	1.85	3.8	1.25	1.75	42.5	60.1	56.9	6.7	4.8	2.5				
1400-47	47	44.5	1.85	3.8	1.25	1.75	43.5	61.3	58.1	6.8	4.9	2.5				
1400-48	48	45.5	1.85	3.8	1.25	1.75	44.5	62.5	59.3	6.9	5	2.5				
1400-50	50	47	2.15	4.5	1.5	2	45.8	64.5	60.8	6.9	5.1	2.5				
1400-51	51	48	2.15	4.5	1.5	2	46.8	65.6	61.9	6.9	5	2.5				
1400-52	52	49	2.15	4.5	1.5	2	47.8	66.7	63	7	5.2	2.5				
1400-53	53	50	2.15	4.5	1.5	2	48.8	68.8	64.1	7	6.3	2.5				
1400-54	54	51	2.15	4.5	1.5	2	49.8	69	65.2	7.1	5.3	2.5				
1400-55	55	52	2.15	4.5	1.5	2	50.8	70.2	66.4	7.2	5.4	2.5				
1400-56	56	53	2.15	4.5	1.5	2	51.8	71.6	67.6	7.3	5.5	2.5				
1400-57	57	54	2.15	4.5	1.5	2	52.8	72.3	69.3	7.3	5.5	2.5				
1400-58	58	55	2.15	4.5	1.5	2	53.8	73.6	69.6	7.3	5.6	2.5				
1400-60	60	57	2.15	4.5	1.5	2	55.8	75.6	71.8	7.4	5.8	2.5				
1400-61	61	58	2.15	4.5	1.5	2	56.8	76.7	72.9	7.4	5.9	2.5				
1400-62	62	59	2.15	4.5	1.5	2	57.8	77.8	74	7.5	6	2.5				
1400-63	63	60	2.15	4.5	1.5	2	58.8	79	75.2	7.6	6.2	2.5				
1400-64	64	61	2.15	4.5	1.5	2	59.8	80.2	76.4	7.8	7.4	2.5				
1400-65	65	62	2.65	4.5	1.5	2.5	60.8	81.4	77.6	7.8	6.3	3				
1400-67	67	64	2.65	4.5	1.5	2.5	62.5	83.6	79.8	7.9	6.4	3				
1400-68	68	65	2.65	4.5	1.5	2.5	63.5	84.4	81	8	6.5	3				
1400-70	70	67	2.65	4.5	1.5	2.5	65.5	87	83.2	8.1	6.6	3				
1400-72	72	69	2.65	4.5	1.5	2.5	67.5	89.2	85.4	8.2	6.8	3				

Circlips - External



"Australia's Only Genuine Wholesaler"

Circlips - External																
SIZE CODE	SHAFT		GROOVE (G)						CIRCLIP (F)							
	S	G	Tol.	W	Tol.	n (min.)	d~	t	Tol.	D	Tol.	C	C1	L (max)	b~	h (min)
1400-75	75	72		2.65		4.5	1.5	2.5		70.5		92.7	88.8	8.4	7	3
1400-77	77	74		2.65		4.5	1.5	2.5		72.5		94.9	91	8.5	7.2	3
1400-78	78	75	(+0.00 -0.30)	2.65	(+0.14 -0.00)	4.5	1.5	2.5	(+0.00 -0.07)	73.5	(+0.46 -1.10)	96.1	92.2	8.6	7.3	3
1400-80	80	76.5		2.65		5.3	1.75	2.5		74.5		98.1	93.7	8.6	7.4	3
1400-82	82	78.5		2.65		5.3	1.75	2.5		76.5		100.3	95.9	8.7	7.6	3
1400-85	85	81.5		3.15		5.3	1.75	3		79.5		103.3	98.9	8.7	7.8	3.5
1400-87	87	83.5		3.15		5.3	1.75	3		81.5		105.5	100.9	8.8	7.9	3.5
1400-88	88	84.5		3.15		5.3	1.75	3		82.5		106.5	102	8.8	8	3.5
1400-90	90	86.5		3.15		5.3	1.75	3		84.5		108.5	104	8.8	8.2	3.5
1400-92	92	88.5	(+0.00 -0.35)	3.15		5.3	1.75	3	(+0.00 -0.08)	86.5		110.9	107.4	9	8.4	3.5
1400-95	95	91.5		3.15		5.3	1.75	3		89.5		114.8	111	9.4	8.6	3.5
1400-97	97	93.5		3.15		5.3	1.75	3		91.5		116.7	113.2	9.4	8.8	3.5
1400-98	98	94.5		3.15		5.3	1.75	3		91.5		118.6	114	9.4	8.8	3.5
1400-100	100	96.5		3.15		5.3	1.75	3		94.5	(+0.54 -1.30)	120.2	116	9.6	9	3.5
1400-102	102	98		4.15		6	2	4		95		122.4	118	9.7	9.2	3.5
1400-105	105	101		4.15		6	2	4		98		126.2	122	9.9	9.3	3.5
1400-110	110	106		4.15		6	2	4		103		131.2	127	10.1	9.6	3.5
1400-112	112	108	(+0.00 -0.54)	4.15		6	2	4		105		133.6	129.6	10.3	9.7	3.5
1400-115	115	111		4.15		6	2	4		108		137.3	133	10.6	9.8	3.5
1400-120	120	116		4.15		6	2	4		113		143.1	138	11	10.2	3.5
1400-122	122	118		4.15		6	2	4		115		145.5	141.5	11.2	10.3	4
1400-125	125	121		4.15	(+0.18 -0.00)	6	2	4		118		149	144	11.4	10.4	4
1400-127	127	123		4.15		6	2	4		120		150.9	146.8	11.4	10.5	4
1400-128	128	124		4.15		6	2	4		120		151.9	147.9	11.4	10.5	4
1400-130	130	126		4.15		6	2	4		123		154.4	150	11.6	10.7	4
1400-135	135	131		4.15		6	2	4		128		159.8	155	11.8	11	4
1400-140	140	136		4.15		6	2	4	(+0.00 -0.1)	133		165.2	160	12	11.2	4
1400-145	145	141		4.15		6	2	4		138		170.6	166	12.2	11.5	4
1400-150	150	145	(+0.00 -0.63)	4.15		7.5	2.5	4		142	(+0.63 -1.5)	177.3	171	13	11.8	4
1400-155	155	150		4.15		7.5	2.5	4		146		182.3	176	13	12	4
1400-160	160	155		4.15		7.5	2.5	4		151		188	182	13.3	12.2	4
1400-165	165	160		4.15		7.5	2.5	4		155.5		193.4	187	13.5	12.5	4
1400-170	170	165		4.15		7.5	2.5	4		160.5		198.4	192	13.5	12.9	4
1400-175	175	170		4.15		7.5	2.5	4		165.5		203.4	197	13.5	12.9	4
1400-180	180	175		4.15		7.5	2.5	4		170.5		210	204	14.2	13.5	4
1400-185	185	180		4.15		7.5	2.5	4		175.5		215.2	209	14.2	13.5	4
1400-190	190	185		4.15		7.5	2.5	4		180.5	(+0.72 -1.7)	220	214	14.2	14	4
1400-195	195	190	(+0.00 -0.72)	4.15		7.5	2.5	4		185.5		225	219	14.2	14	4
1400-200	200	195		4.15		7.5	2.5	4		190.5		230	224	14.2	14	4