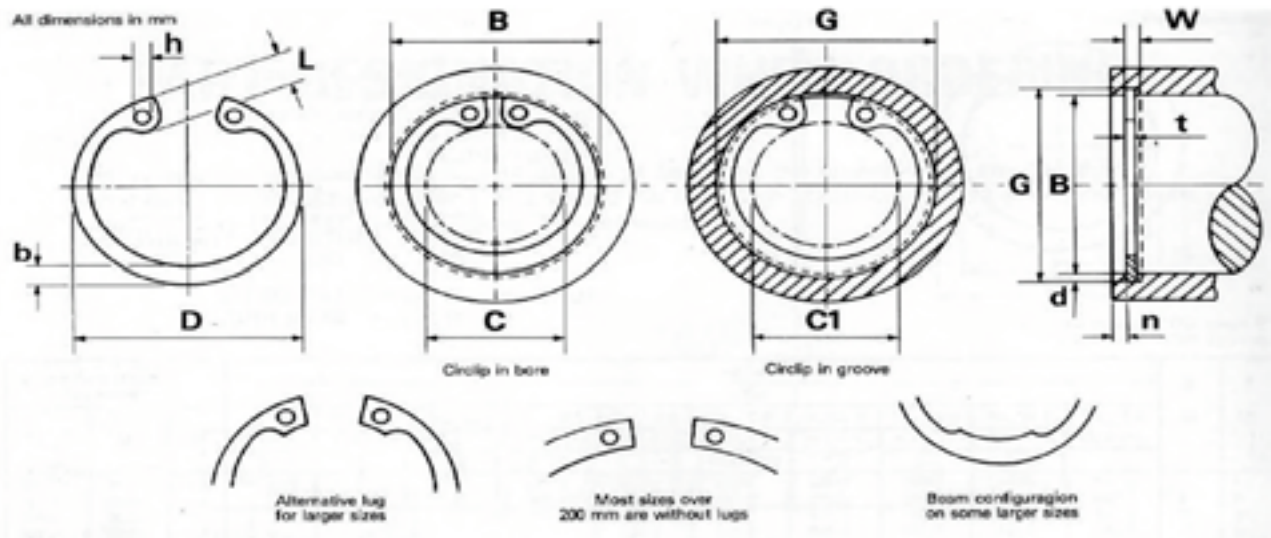


Circlips - Internal



| Circlips - Internal | | | | | | | | | | | | | | | | | | |
|---------------------|------|------|------------------|-----|------------------|------------------|------|------|-------------|------|------------------|------------------|------------------|---------|------|---------|-----|-----|
| SIZE CODE | BORE | | GROOVE (G) | | | | | | CIRCLIP (F) | | | | | | | | | |
| | B | G | Tol. | W | Tol. | n (min.) | d- | t | Tol. | D | Tol. | C | C1 | L (max) | b- | h (min) | | |
| 1300-8 | 8 | 8.4 | (+0.09 -0.00) | 0.9 | (+0.11 -0.00) | 0.6 | 0.2 | 0.8 | - | 8.7 | (+0.36 -0.10) | 3 | 3.6 | 2.4 | 1.1 | 1 | | |
| 1300-9 | 9 | 9.4 | | 0.9 | | 0.6 | 0.2 | 0.8 | - | 9.8 | | 3.7 | 4.4 | 2.5 | 1.3 | 1 | | |
| 1300-10 | 10 | 10.4 | 1.1 | 0.6 | | 0.2 | 1 | - | 10.8 | 3.3 | | 4 | 3.2 | 1.4 | 1.2 | | | |
| 1300-11 | 11 | 11.4 | 1.1 | 0.6 | | 0.2 | 1 | - | 11.8 | 4.1 | | 4.8 | 3.3 | 1.5 | 1.2 | | | |
| 1300-12 | 12 | 12.5 | 1.1 | 0.8 | | 0.25 | 1 | - | 13 | 4.9 | | 5.7 | 3.4 | 1.7 | 1.5 | | | |
| 1300-13 | 13 | 13.6 | 1.1 | 0.9 | | 0.3 | 1 | - | 14.1 | 5.4 | | 6.4 | 3.6 | 1.8 | 1.5 | | | |
| 1300-14 | 14 | 14.6 | 1.1 | 0.9 | | 0.3 | 1 | - | 15.1 | 6.2 | | 7.2 | 3.7 | 1.9 | 1.7 | | | |
| 1300-15 | 15 | 15.7 | 1.1 | 1.1 | | 0.35 | 1 | - | 16.2 | 7.2 | | 8.3 | 3.7 | 2 | 1.7 | | | |
| 1300-16 | 16 | 16.8 | 1.1 | 1.2 | | 0.4 | 1 | - | 17.3 | 8 | | 9.2 | 3.8 | 2 | 1.7 | | | |
| 1300-17 | 17 | 17.8 | 1.1 | 1.2 | | 0.4 | 1 | - | 18.3 | 8.8 | | 10 | 3.9 | 2.1 | 1.7 | | | |
| 1300-18 | 18 | 19 | (+0.13 -0.00) | 1.1 | (+0.14 -0.00) | 1.5 | 0.5 | 1 | - | 19.5 | (+0.42 -0.13) | 9.4 | 10.8 | 4.1 | 2.2 | 2 | | |
| 1300-19 | 19 | 20 | | 1.1 | | 1.5 | 0.5 | 1 | - | 20.5 | | 10.4 | 11.8 | 4.1 | 2.2 | 2 | | |
| 1300-20 | 20 | 21 | | 1.1 | | 1.5 | 0.5 | 1 | - | 21.5 | | 11.2 | 12.6 | 4.2 | 2.3 | 2 | | |
| 1300-21 | 21 | 22 | | 1.1 | | 1.5 | 0.5 | 1 | - | 22.5 | | 12.2 | 13.6 | 4.2 | 2.4 | 2 | | |
| 1300-22 | 22 | 23 | 1.1 | 1.5 | | 0.5 | 1 | - | 23.5 | 13.2 | | 14.6 | 4.2 | 2.5 | 2 | | | |
| 1300-23 | 23 | 24.1 | (+0.21 -0.00) | 1.3 | | (+0.25 -0.00) | 1.7 | 0.6 | 1.2 | - | | 24.6 | (+0.42 -0.21) | 14.2 | 15.7 | 4.2 | 2.5 | 2 |
| 1300-24 | 24 | 25.2 | | 1.3 | | | 1.8 | 0.6 | 1.2 | - | | 25.9 | | 14.8 | 16.4 | 4.4 | 2.6 | 2 |
| 1300-25 | 25 | 26.2 | | 1.3 | | | 1.8 | 0.6 | 1.2 | - | | 26.9 | | 15.5 | 17.2 | 4.5 | 2.7 | 2 |
| 1300-26 | 26 | 27.2 | | 1.3 | | | 1.8 | 0.6 | 1.2 | - | | 27.9 | | 16.1 | 17.8 | 4.7 | 2.8 | 2 |
| 1300-27 | 27 | 28.4 | | 1.3 | | | 2.1 | 0.7 | 1.2 | - | | 29.1 | | 17.1 | 19 | 4.7 | 2.9 | 2 |
| 1300-28 | 28 | 29.4 | | 1.3 | 2.1 | | 0.7 | 1.2 | - | 30.1 | 17.9 | 19.8 | | 4.8 | 2.9 | 2 | | |
| 1300-29 | 29 | 30.4 | (+0.25 -0.00) | 1.3 | (+0.25 -0.00) | | 2.1 | 0.7 | 1.2 | - | 31.1 | (+0.42 -0.21) | | 18.9 | 20.8 | 4.8 | 3 | 2 |
| 1300-30 | 30 | 31.4 | | 1.3 | | | 2.1 | 0.7 | 1.2 | - | 32.1 | | | 19.9 | 21.8 | 4.8 | 3 | 2 |
| 1300-31 | 31 | 32.7 | | 1.3 | | | 2.6 | 0.85 | 1.2 | - | 33.4 | | | 20 | 22.3 | 5.2 | 3.2 | 2.5 |
| 1300-32 | 32 | 33.7 | | 1.3 | | | 2.6 | 0.85 | 1.2 | - | 34.4 | | | 20.6 | 22.9 | 5.4 | 3.2 | 2.5 |
| 1300-33 | 33 | 34.7 | | 1.3 | | 2.6 | 0.85 | 1.2 | - | 35.5 | 21.6 | | 23.9 | 5.4 | 3.3 | 2.5 | | |

Every effort has been taken to ensure that the data listed in this catalogue is correct. Finer Power Transmissions P/L will not accept liability for any damage or loss caused as a result of the data in this catalogue.

| Circlips - Internal | | | | | | | | | | | | | | | | |
|---------------------|------|------|------------------|------|------|----------|------|------|------------------|------|--------------------|------|------|---------|-----|---------|
| SIZE CODE | BORE | | GROOVE (G) | | | | | | CIRCLIP (F) | | | | | | | |
| | B | G | Tol. | W | Tol. | n (min.) | d~ | t | Tol. | D | Tol. | C | C1 | L (max) | b~ | h (min) |
| 1300-34 | 34 | 35.7 | (+0.25 -0.00) | 1.6 | | 2.6 | 0.85 | 1.5 | (+0.00 -0.06) | 36.5 | (+0.050 -0.025) | 22.6 | 24.9 | 5.4 | 3.3 | 2.5 |
| 1300-35 | 35 | 37 | | 1.6 | | 3 | 1 | 1.5 | | 37.8 | | 23.6 | 26.2 | 5.4 | 3.4 | 2.5 |
| 1300-36 | 36 | 38 | | 1.6 | | 3 | 1 | 1.5 | | 38.8 | | 24.6 | 27.2 | 5.4 | 3.5 | 2.5 |
| 1300-37 | 37 | 39 | | 1.6 | | 3 | 1 | 1.5 | | 39.8 | | 25.4 | 28 | 5.5 | 3.6 | 2.5 |
| 1300-38 | 38 | 40 | | 1.6 | | 3 | 1 | 1.5 | | 40.8 | | 26.4 | 29 | 5.5 | 3.7 | 2.5 |
| 1300-39 | 39 | 41 | | 1.6 | | 3 | 1 | 1.5 | | 42 | 27.3 | 29.8 | 5.6 | 3.8 | 2.5 | |
| 1300-40 | 40 | 42.5 | | 1.85 | | 3.8 | 1.25 | 1.75 | | 43.5 | 27.8 | 30.9 | 5.8 | 3.9 | 2.5 | |
| 1300-41 | 41 | 43.5 | | 1.85 | | 3.8 | 1.25 | 1.75 | | 44.5 | 28.6 | 31.7 | 5.9 | 4 | 2.5 | |
| 1300-42 | 42 | 44.5 | | 1.85 | | 3.8 | 1.25 | 1.75 | | 45.5 | 29.6 | 32.7 | 5.9 | 4.1 | 2.5 | |
| 1300-43 | 43 | 45.5 | | 1.85 | | 3.8 | 1.25 | 1.75 | | 46.5 | 30.6 | 33.7 | 5.9 | 4.2 | 2.5 | |
| 1300-44 | 44 | 46.5 | 1.85 | 3.8 | 1.25 | 1.75 | 47.5 | 31.4 | 34.5 | 6 | 4.2 | 2.5 | | | | |
| 1300-45 | 45 | 47.5 | 1.85 | 3.8 | 1.25 | 1.75 | 48.5 | 32 | 35.1 | 6.5 | 4.3 | 2.5 | | | | |
| 1300-46 | 46 | 48.5 | 1.85 | 3.8 | 1.25 | 1.75 | 49.5 | 32.8 | 35.9 | 6.3 | 4.4 | 2.5 | | | | |
| 1300-47 | 47 | 49.5 | 1.85 | 3.8 | 1.25 | 1.75 | 50.5 | 33.5 | 36.7 | 6.4 | 4.4 | 2.5 | | | | |
| 1300-48 | 48 | 50.5 | 1.85 | 3.8 | 1.25 | 1.75 | 51.5 | 34.5 | 37.7 | 6.4 | 4.5 | 2.5 | | | | |
| 1300-50 | 50 | 53 | 2.15 | 4.5 | 1.5 | 2 | 54.2 | 36.3 | 40 | 6.5 | 4.6 | 2.5 | | | | |
| 1300-51 | 51 | 54 | 2.15 | 4.5 | 1.5 | 2 | 55.2 | 37.3 | 41 | 6.5 | 4.7 | 2.5 | | | | |
| 1300-52 | 52 | 55 | 2.15 | 4.5 | 1.5 | 2 | 56.2 | 37.9 | 41.6 | 6.7 | 4.7 | 2.5 | | | | |
| 1300-53 | 53 | 56 | 2.15 | 4.5 | 1.5 | 2 | 57.2 | 39 | 42.6 | 6.7 | 4.9 | 2.5 | | | | |
| 1300-54 | 54 | 57 | 2.15 | 4.5 | 1.5 | 2 | 58.2 | 40 | 43.6 | 6.7 | 5 | 2.5 | | | | |
| 1300-55 | 55 | 58 | 2.15 | 4.5 | 1.5 | 2 | 59.2 | 40.7 | 44.4 | 6.8 | 5 | 2.5 | | | | |
| 1300-56 | 56 | 59 | 2.15 | 4.5 | 1.5 | 2 | 60.2 | 41.7 | 45.4 | 6.8 | 5.1 | 2.5 | | | | |
| 1300-57 | 57 | 60 | 2.15 | 4.5 | 1.5 | 2 | 61.2 | 42.7 | 46.4 | 6.8 | 5.2 | 2.5 | | | | |
| 1300-58 | 58 | 61 | 2.15 | 4.5 | 1.5 | 2 | 62.2 | 43.5 | 47.2 | 6.9 | 5.2 | 2.5 | | | | |
| 1300-60 | 60 | 63 | 2.15 | 4.5 | 1.5 | 2 | 64.2 | 44.7 | 48.4 | 7.3 | 5.4 | 2.5 | | | | |
| 1300-61 | 61 | 64 | 2.15 | 4.5 | 1.5 | 2 | 65.2 | 45.7 | 49.4 | 7.3 | 5.4 | 2.5 | | | | |
| 1300-62 | 62 | 65 | 2.15 | 4.5 | 1.5 | 2 | 66.2 | 46.7 | 50.4 | 7.3 | 5.5 | 2.5 | | | | |
| 1300-63 | 63 | 66 | 2.15 | 4.5 | 1.5 | 2 | 67.2 | 47.7 | 51.4 | 7.3 | 5.6 | 2.5 | | | | |
| 1300-64 | 64 | 67 | 2.15 | 4.5 | 1.5 | 2 | 68.2 | 48.7 | 52.4 | 7.4 | 5.7 | 2.5 | | | | |
| 1300-65 | 65 | 68 | 2.65 | 4.5 | 1.5 | 2.5 | 69.2 | 49 | 52.8 | 7.6 | 5.8 | 3 | | | | |
| 1300-67 | 67 | 70 | 2.65 | 4.5 | 1.5 | 2.5 | 71.5 | 50.8 | 54.6 | 7.7 | 6 | 3 | | | | |
| 1300-68 | 68 | 71 | 2.65 | 4.5 | 1.5 | 2.5 | 72.5 | 51.6 | 55.4 | 7.8 | 6.1 | 3 | | | | |
| 1300-70 | 70 | 73 | 2.65 | 4.5 | 1.5 | 2.5 | 74.5 | 53.6 | 57.4 | 7.8 | 6.2 | 3 | | | | |
| 1300-72 | 72 | 75 | 2.65 | 4.5 | 1.5 | 2.5 | 76.5 | 55.6 | 59.4 | 7.8 | 6.4 | 3 | | | | |
| 1300-75 | 75 | 78 | 2.65 | 4.5 | 1.5 | 2.5 | 79.5 | 58.6 | 62.4 | 7.8 | 6.6 | 3 | | | | |
| 1300-77 | 77 | 80 | 2.65 | 4.5 | 1.5 | 2.5 | 82.5 | 59.2 | 63 | 8.5 | 6.8 | 3 | | | | |
| 1300-78 | 78 | 81 | 2.65 | 4.5 | 1.5 | 2.5 | 82.5 | 60.1 | 64 | 8.5 | 6.8 | 3 | | | | |
| 1300-80 | 80 | 83.5 | 2.65 | 5.3 | 1.75 | 2.5 | 85.5 | 62.1 | 66.5 | 8.5 | 7 | 3 | | | | |
| 1300-81 | 81 | 84.5 | 2.65 | 5.3 | 1.75 | 2.5 | 86.5 | 62.2 | | 8.5 | 7 | 3 | | | | |

| Circlips - Internal | | | | | | | | | | | | | | | | |
|---------------------|------|-------|-------------------|------|-------------------|----------|-------|------|-------------------|-------|-------------------|-------|-------|---------|------|---------|
| SIZE CODE | BORE | | GROOVE (G) | | | | | | CIRCLIP (F) | | | | | | | |
| | B | G | Tol. | W | Tol. | n (min.) | d~ | t | Tol. | D | Tol. | C | C1 | L (max) | b~ | h (min) |
| 1300-82 | 82 | 85.5 | (+0.35 (-)0.00 | 2.65 | (+0.14 (-)0.00 | 5.3 | 1.75 | 2.5 | (+0.00 (-)0.07 | 87.5 | (+0.00 (-)0.08 | 64.1 | 68.5 | 8.5 | 7 | 3 |
| 1300-83 | 83 | 86.5 | | 2.65 | | 5.3 | 1.75 | 2.5 | | 88.5 | | 65.2 | 69.5 | 8.5 | 7 | 3 |
| 1300-85 | 85 | 88.5 | | 3.15 | | 5.3 | 1.75 | 3 | | 90.5 | | 66.9 | 71.3 | 8.6 | 7.2 | 3.5 |
| 1300-87 | 87 | 90.5 | | 3.15 | | 5.3 | 1.75 | 3 | | 93.5 | | 69 | 73.3 | 8.6 | 7.4 | 3.5 |
| 1300-88 | 88 | 91.5 | | 3.15 | | 5.3 | 1.75 | 3 | | 93.5 | | 69.9 | 74.3 | 8.6 | 7.4 | 3.5 |
| 1300-90 | 90 | 93.5 | | 3.15 | | 5.3 | 1.75 | 3 | | 95.5 | | 71.9 | 76.3 | 8.6 | 7.6 | 3.5 |
| 1300-92 | 92 | 95.5 | | 3.15 | | 5.3 | 1.75 | 3 | | 97.5 | | 73.7 | 78.1 | 8.7 | 7.8 | 3.5 |
| 1300-95 | 95 | 98.5 | | 3.15 | | 5.3 | 1.75 | 3 | | 100.5 | | 76.5 | 80.9 | 8.8 | 8.1 | 3.5 |
| 1300-97 | 97 | 100.5 | | 3.15 | | 5.3 | 1.75 | 3 | | 103.5 | | 78.1 | 82.5 | 9 | 8.3 | 3.5 |
| 1300-98 | 98 | 101.5 | | 3.15 | | 5.3 | 1.75 | 3 | | 103.5 | | 79 | 83.5 | 9 | 8.3 | 3.5 |
| 1300-100 | 100 | 103.5 | 3.15 | 5.3 | 1.75 | 3 | 105.5 | 80.6 | 85.1 | 9.2 | 8.4 | 3.5 | | | | |
| 1300-102 | 102 | 106 | (+0.54 (-)0.00 | 4.15 | (+0.18 (-)0.00 | 6 | 2 | 4 | (+0.00 (-)0.10 | 108 | (+1.30 (-)0.54 | 82 | 87 | 9.5 | 8.5 | 3.5 |
| 1300-105 | 105 | 109 | | 4.15 | | 6 | 2 | 4 | | 112 | | 85 | 90 | 9.5 | 8.7 | 3.5 |
| 1300-107 | 107 | 111 | | 4.15 | | 6 | 2 | 4 | | 115 | | 87 | 92 | 9.5 | 8.9 | 3.5 |
| 1300-108 | 108 | 112 | | 4.15 | | 6 | 2 | 4 | | 115 | | 88 | 93 | 9.5 | 8.9 | 3.5 |
| 1300-110 | 110 | 114 | | 4.15 | | 6 | 2 | 4 | | 117 | | 88.2 | 93.2 | 10.4 | 9 | 3.5 |
| 1300-112 | 112 | 116 | | 4.15 | | 6 | 2 | 4 | | 119 | | 90 | 95 | 10.5 | 9.1 | 3.5 |
| 1300-115 | 115 | 119 | | 4.15 | | 6 | 2 | 4 | | 122 | | 93 | 98 | 10.5 | 9.3 | 3.5 |
| 1300-117 | 117 | 121 | | 4.15 | | 6 | 2 | 4 | | 125 | | 94.6 | 99.6 | 10.7 | 9.6 | 3.5 |
| 1300-118 | 118 | 122 | | 4.15 | | 6 | 2 | 4 | | 125 | | 95.6 | 100.6 | 10.7 | 9.6 | 3.5 |
| 1300-120 | 120 | 124 | | 4.15 | | 6 | 2 | 4 | | 127 | | 96.9 | 102 | 11 | 9.7 | 3.5 |
| 1300-125 | 125 | 129 | (+0.63 (-)0.00 | 4.15 | (+0.18 (-)0.00 | 6 | 2 | 4 | (+0.00 (-)0.10 | 132 | (+1.50 (-)0.63 | 101.9 | 107 | 11 | 10 | 4 |
| 1300-127 | 127 | 131 | | 4.15 | | 6 | 2 | 4 | | 135 | | 103.9 | 109 | 11 | 10 | 4 |
| 1300-128 | 128 | 132 | | 4.15 | | 6 | 2 | 4 | | 135 | | 104.9 | 110 | 11 | 10 | 4 |
| 1300-130 | 130 | 134 | | 4.15 | | 6 | 2 | 4 | | 137 | | 106.9 | 112 | 11 | 10.2 | 4 |
| 1300-135 | 135 | 139 | | 4.15 | | 6 | 2 | 4 | | 142 | | 111.5 | 116 | 11.2 | 10.5 | 4 |
| 1300-140 | 140 | 144 | | 4.15 | | 6 | 2 | 4 | | 147 | | 116.5 | 121 | 11.2 | 10.7 | 4 |
| 1300-145 | 145 | 149 | | 4.15 | | 6 | 2 | 4 | | 152 | | 121 | 126 | 11.4 | 10.9 | 4 |
| 1300-150 | 150 | 155 | | 4.15 | | 7.5 | 2.5 | 4 | | 158 | | 124.8 | 131 | 12 | 11.2 | 4 |
| 1300-155 | 155 | 160 | | 4.15 | | 7.5 | 2.5 | 4 | | 164 | | 129.8 | 136 | 12 | 11.4 | 4 |
| 1300-160 | 160 | 165 | | 4.15 | | 7.5 | 2.5 | 4 | | 169 | | 132.7 | 144 | 13 | 11.6 | 4 |
| 1300-165 | 165 | 170 | (+0.72 (-)0.00 | 4.15 | (+0.18 (-)0.00 | 7.5 | 2.5 | 4 | (+0.00 (-)0.10 | 174.5 | (+1.50 (-)0.63 | 137.7 | 144 | 13 | 11.8 | 4 |
| 1300-170 | 170 | 175 | | 4.15 | | 7.5 | 2.5 | 4 | | 179.5 | | 141.6 | 148 | 13.5 | 12.2 | 4 |
| 1300-175 | 175 | 180 | | 4.15 | | 7.5 | 2.5 | 4 | | 184.5 | | 146.6 | 153 | 13.5 | 12.7 | 4 |
| 1300-180 | 180 | 185 | | 4.15 | | 7.5 | 2.5 | 4 | | 189.5 | | 150.2 | 156 | 14.2 | 13.2 | 4 |
| 1300-185 | 185 | 190 | | 4.15 | | 7.5 | 2.5 | 4 | | 194.5 | | 155.2 | 161 | 14.2 | 13.7 | 4 |
| 1300-190 | 190 | 195 | | 4.15 | | 7.5 | 2.5 | 4 | | 199.5 | | 160.2 | 166 | 14.2 | 13.8 | 4 |
| 1300-195 | 195 | 200 | | 4.15 | | 7.5 | 2.5 | 4 | | 204.5 | | 165.2 | 171 | 14.2 | 13.8 | 4 |
| 1300-200 | 200 | 205 | | 4.15 | | 7.5 | 2.5 | 4 | | 209.5 | | 170.2 | 176 | 14.2 | 14 | 4 |