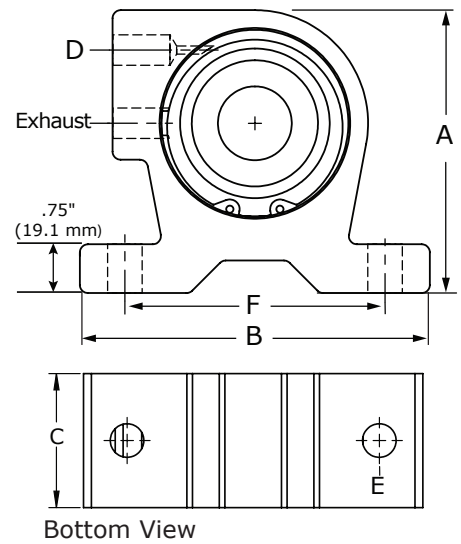


CS & US Ball Vibrator Dimensions

VIBRATOR MODEL	WEIGHT	A	B	C	D	E	F
		HEIGHT	LENGTH	WIDTH	INLET	BOLT HOLE	BOLT CENTERS
		lb kg	in mm	lb mm	lb mm	in in	in mm
CS-19*	2.4	3.40	5.25	1.50	1/4	7/16	4.00
	1.09	86	133	38			102
CS-25	3.28	4.35	5.38	2.13	1/4	17/32	4.00
	1.48	110	137	54			102
CS-35	3.53	4.35	5.38	2.13	1/4	17/32	4.00
	1.59	110	137	54			102
US-13	0.82	2.58	5.00	1.21	1/8	11/32	4.00
	0.37	66	127	31			102
US-19	1.44	3.15	5.00	1.51	1/4	7/16	4.00
	0.65	80	127	38			102
US-25*	3.50	3.88	6.50	1.75	1/4	7/16	5.00
	1.59	99	165	44			127
US-38*	7.95	5.18	7.75	2.30	3/8	7/16	6.00
	3.61	132	197	197			152

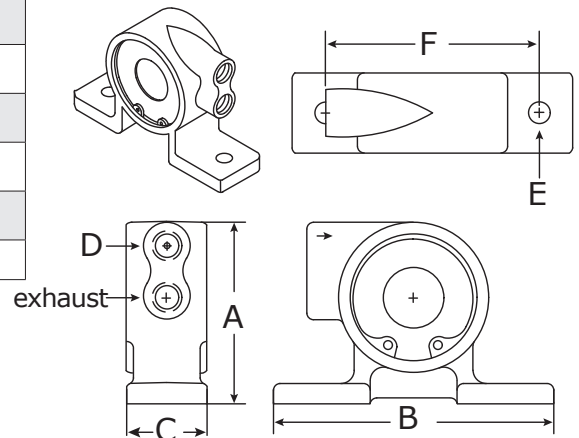
* only available in ductile iron

CS Series - Aluminum

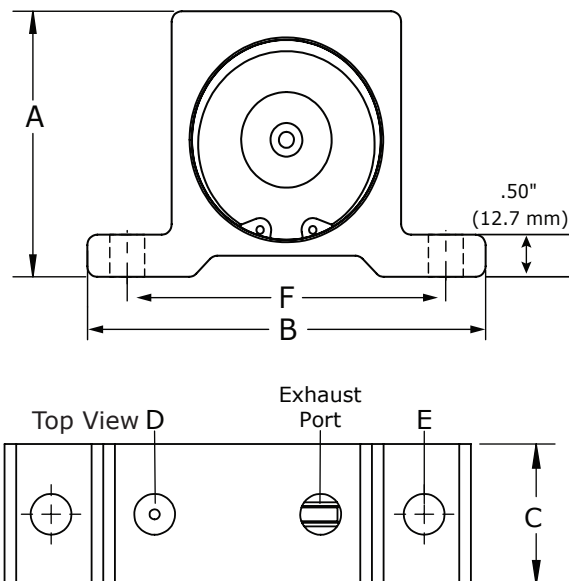


CS Series - Ductile Iron

CS-19 available in ductile only



US Series - Aluminum



US Series - Ductile Iron

US-25 & US-38 available in ductile only

