

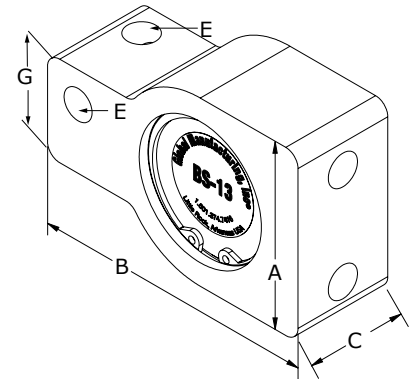
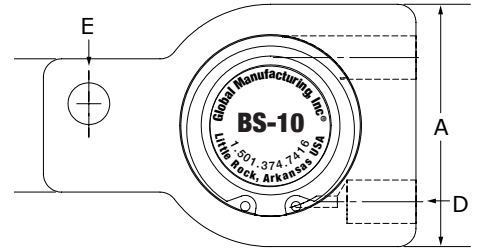
BS & DS Ball Vibrator Dimensions

VIBRATOR MODEL	WEIGHT	A	B	C	D	E	F	G
		HEIGHT	LENGTH	WIDTH	INLET	BOLT HOLE	BOLT CENTERS	MOUNT BASE HEIGHT
	lb	in	lb	lb	in	in	in	in
	kg	mm	mm	mm			mm	mm
BS-10	0.50	2.00	3.08	1.10	1/8	1 1/32	Single Bolt	1.10
	0.23	51	78	28				27.9
BS-13	0.51	2.00	3.08	1.10	1/8	1 1/32	Single Bolt	1.10
	0.23	51	78	28				27.9
BS-16	1.01	2.60	4.04	1.34	1/4	7/16	Single Bolt	1.38
	0.45	66	103	34				35.1
BS-19	1.51	3.10	4.38	1.50	1/4	7/16	Single Bolt	1.52
	0.68	79	111	38				36.6
BS-25	2.60	3.75	5.25	1.75	1/4	7/16	Single Bolt	1.68
	1.17	95	133	44				42.7
DS-41*	10.45	5.65	6.75	2.50	1/2	2/5	5.50 x 1.75	
	4.74	144	171	64				140 x 44
DS-51*	11.00	5.65	6.75	2.50	1/2	2/5	5.50 x 1.75	
	4.99	144	171	64				140 x 44

* only available in ductile iron

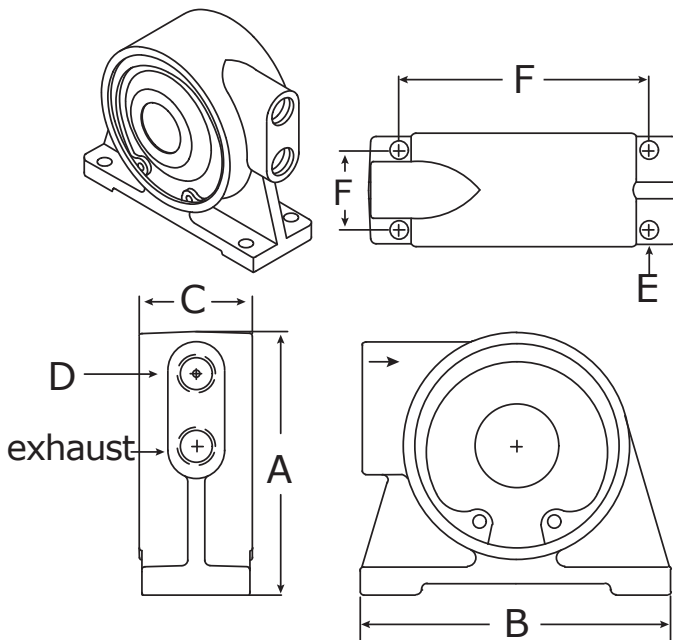
BS Series - Aluminum

Have a single bolt hole mounting base. Mount vibrator with one bolt using either mount hole.



DS Series - Ductile Iron

DS-41 & DS-51 available in ductile only



Two ways to mount BS models

