

INSTRUCTION MANUAL

AIR / WATER HOSE REELS

L-PAW1030 / L-PAW1220



AIR / WATER HOSE REELS

L-PAW1030 / L-PAW1220

DESCRIPTION

Thank you for purchasing a Lubemate hose reel. Each reel is a quality UV stabilised reel, supplied complete with a delivery hose, feeder hose and mounting bracket.

FEATURES AND BENEFITS

1. The hose reel is UV stabilised.
2. The reel is easy to use positive latch and a built in hose layering mechanism to prevent hose bunching.
3. The new speed control device means automatic rewinding of the hose in a constant speed and safer way.
4. Durable construction made from high quality impact resistant polypropylene, light in weight and more compact.
5. Comes with a convenient handle for portable use.
6. A powerful spring winds the hose back into the drum.



IMPORTANT

Please read the instruction carefully before using your new hose reel. The information contained will help you in the safe operation of your hose reel. Please retain this manual for future reference.



IMPORTANT

To prevent injury or damage do not release the hose during rewinding.

1. Do not disassemble hose reel.
2. Ensure the reel or hose is not in contact with any sharp objects or exposed to high temperatures.
3. Do not drop this reel or damage will occur.
4. Turn off compressor after use or and the end of the day.

INSTALLATION

1. Ensure the reel is to be mounted in a safe location. Ensure there is enough space (>80cm) for the bracket and for the reel to swivel 180°.
2. Drill holes at the same pitch as the wall bracket provided. 4 drilled at 60mm, the other 2 holes for the plastic bracket should be 40mm.
3. Securely fit the wall bracket to the wall, then secure the reel to the bracket.

TECHNICAL INFORMATION

Type: Air/Water

L-PAW1030 (10mm x 30m) - Inlet/Outlet 1/4"BSPT (M)

L-PAW1220 (12mm x 20m) - Inlet/Outlet 1/2"BSPT (M)

Maximum working pressure - 174 psi (1200 kPa)

Weight approximately 15kg

BOX CONTENTS

1. Retractable hose reel
2. Feeder hose (fitted)
3. Mounting wall bracket
4. Instruction manual

OPERATION

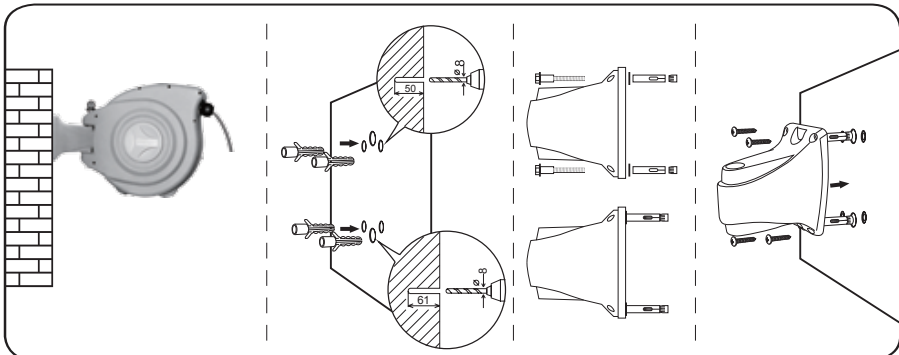
To operate, pull your hose out to the desired length and allow the hose to latch. When finished, pull the hose to release the latch and allow the hose to recoil into the reel.

MAINTENANCE

Before carrying out any maintenance turn off the air supply and release the line pressure

1. Turn off the air supply at the end of each day.
2. Wipe down the hose and case periodically with a soft towel, you can use a mild detergent to clean the reel if required.
3. Check weekly for the correct operation of the reel.
4. Check weekly that the hoses are in good condition.

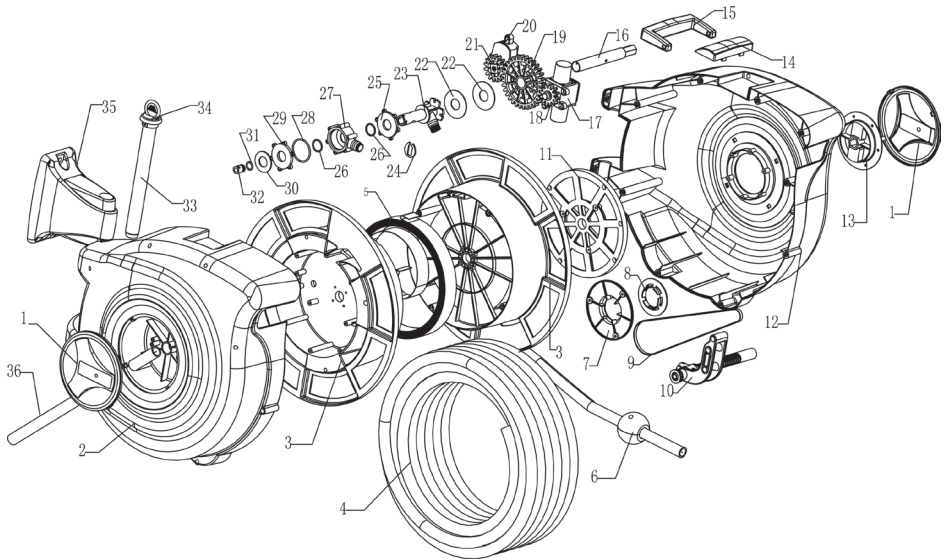
REEL MOUNTING DIAGRAM



AIR / WATER HOSE REELS

L-PAW1030 / L-PAW1220

PARTS DIAGRAM





- | | | | |
|--------------------|------------------------------|---------------------------|---------------------------|
| 1.Decorated cover | 12.Left cover | 22.Spring gasket | 31.Seal loop |
| 2.Right cover | 13.Adjusting cover | 23.Connector of wire core | 32.Block |
| 3.Wire core | 14.Decorated cover of handle | 24.Snap ring | 33.Aluminum hose |
| 4. Air hose | 15.handle | 25.Mid axle cap | 34.Pull ring |
| 5.Coil spring | 16.Metal axle | 26.Seal loop | 35.Support seat |
| 6.Stop ball | 17.Buffer assembly | 27.Mid axle | 36.Input hose |
| 7.Regulate cap | 18.Buffer gear | 28.Seal loop | 37.Hose clamp |
| 8.Cap-cover | 19.Mid gear | 29.Mix axle cap | 38.Support spring of hose |
| 9.Driving belt | 20.Locking device | 30.Gasket of mid axle | |
| 10.Tracking device | 21.Gear of locking system | | |

Note: No spare parts available
Diagram for illustration purposes only

AIR / WATER HOSE REELS

L-PAW1030 / L-PAW1220

FURTHER HOSE REELS AVAILABLE IN THIS RANGE

PRODUCT CODE	IMAGE	DESCRIPTION
L-PAW1014		The L-PAW1014 air/water reel is a small compact reel, ideal for small workshop applications. The reel is UV stabilised has a hose layering mechanism which prevents hose bunching and is supplied with a 10mm x 14m hose assembly and 10mm x 1m feeder hose with 1/4" BSP inlet and outlet connections, with a working pressure of 174psi (1200kPa). The mounting bracket supplied allows the reel to pivot 180 degrees.
L-PDW1225		The L-PDW1225 domestic water reel is the ideal choice for market garden or domestic use. The reel is UV stabilised has a hose layering mechanism which prevents hose bunching and is supplied with a 12mm x 25m hose assembly and 12mm x 2m feeder hose, quick connect fittings and garden nozzle. The mounting bracket supplied allows the reel to pivot 180 degrees.

For Warranty Terms and Conditions refer to
www.lubematebymacnaught.com.au