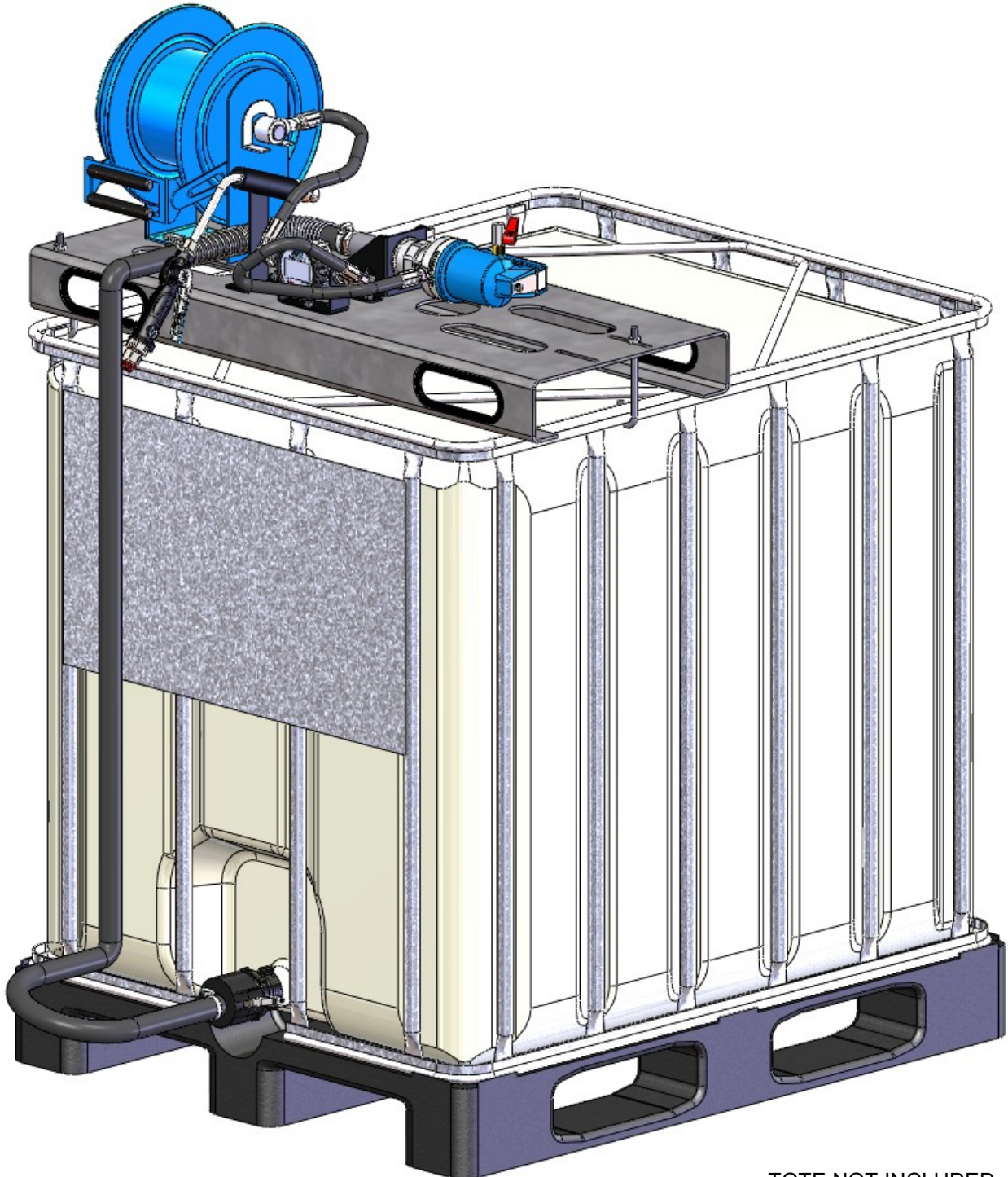


## OS900 and OS950

Thank you for purchasing a Macnaught Model OS900/OS950 SYSTEM



Please read and retain this instruction sheet to assist you in the operation and maintenance of this quality product. Take particular note of all warnings and safety messages.



TOTE NOT INCLUDED

## Features

Your Macnaught IBC System comes complete with either a T512 S or R500S 5:1 Ratio Pump, MOTP1215 hose reel, HG20 control handle Hoses and bracketry. An IM012E register plus other ancilliary components available depending on which model has been purchased.

The OS900 and OS950 systems are designed for use with 1000 litre totes with a metal support frame

### Fastener list

M8 x 20 Bolt x8  
M8 Nyloc Nut x8  
M10 x 25 Bolt x4  
M10 Nyloc Nut x4  
J-Bolt complete x 3

### Brackets

Mounting plate x1  
Pump Bracket x1  
Meter Bracket x1  
Drip/Gun holder x1

### On Metered models

Meter Bracket x1  
M8 x 20 bolt x3  
M8 nyloc nut x3  
Bulk head fitting x 2

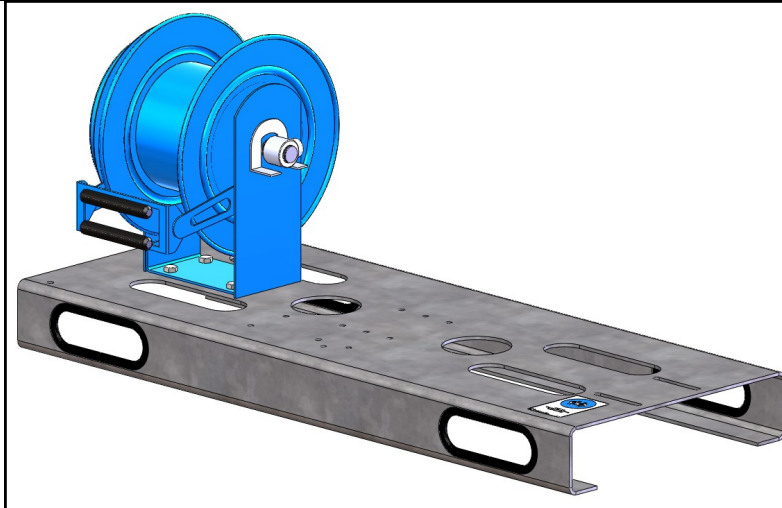
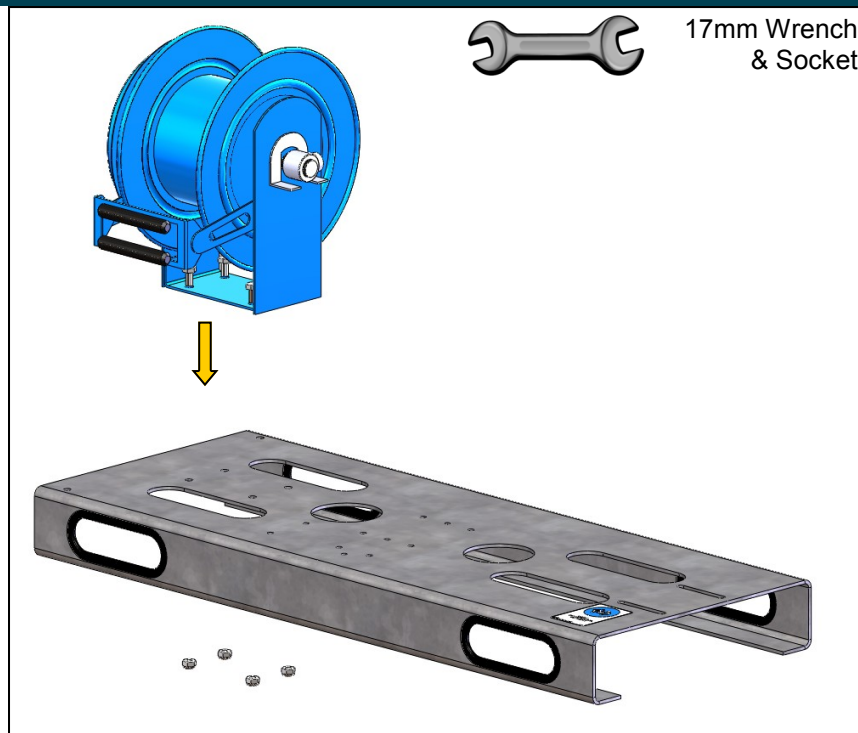
## Important Notes



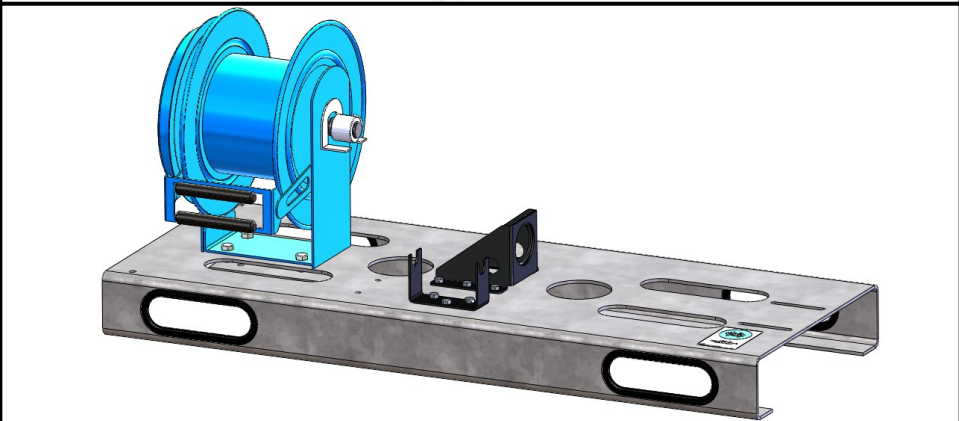
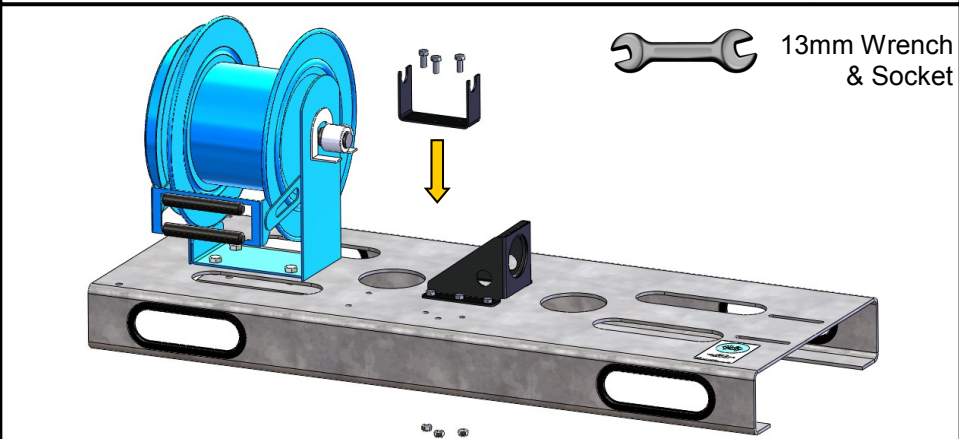
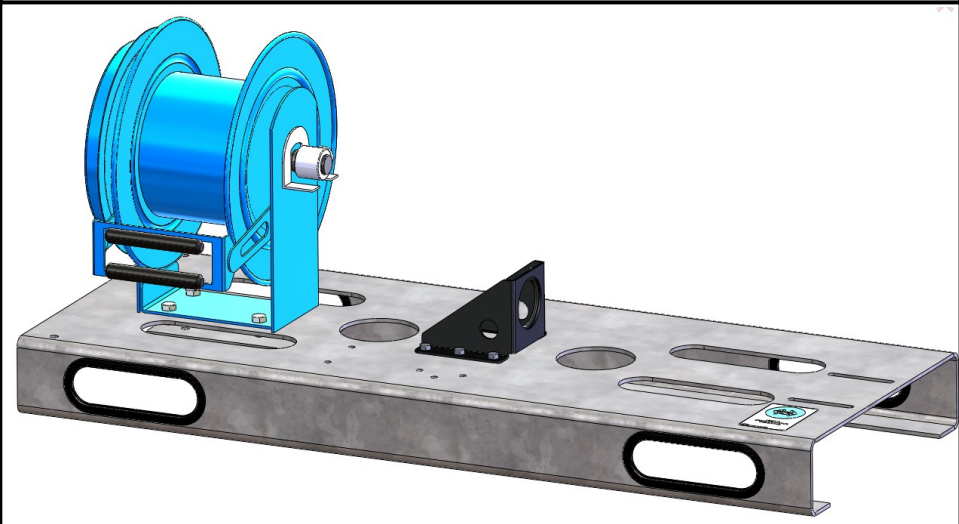
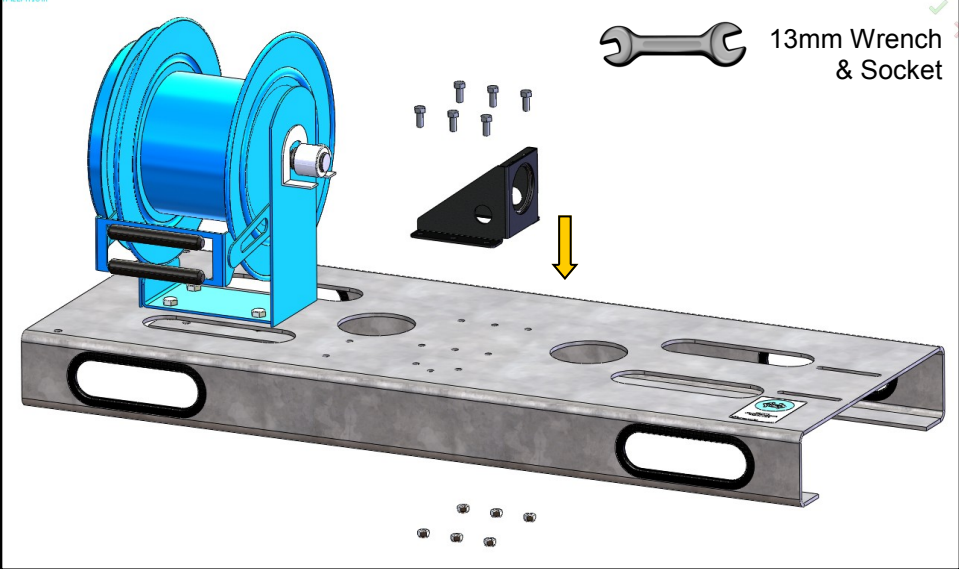
### CAUTION

Caution must be observed when pumping inflammable liquids

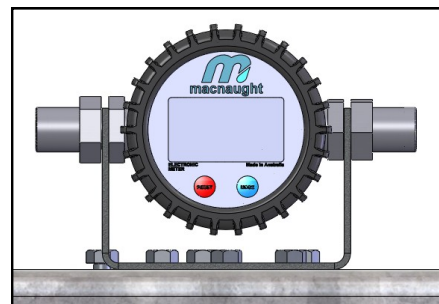
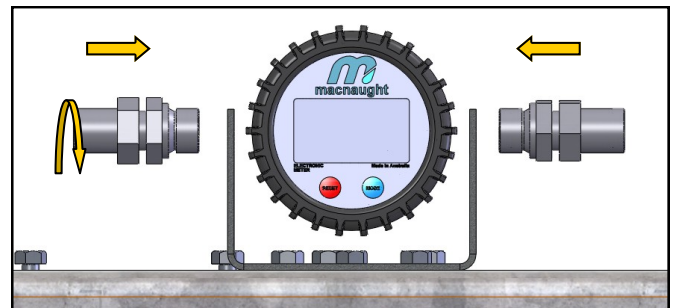
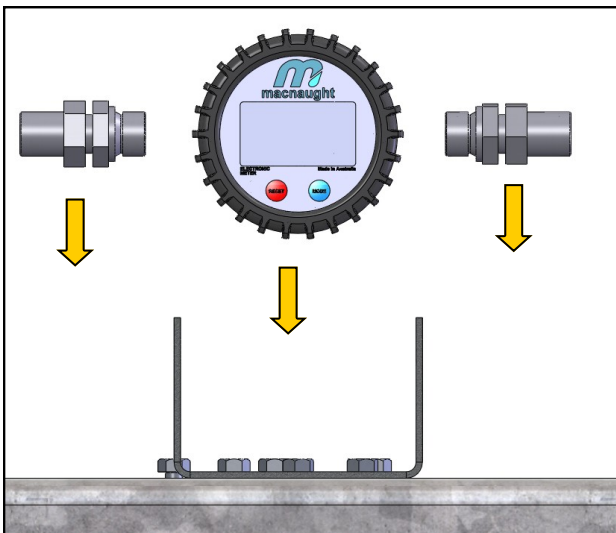
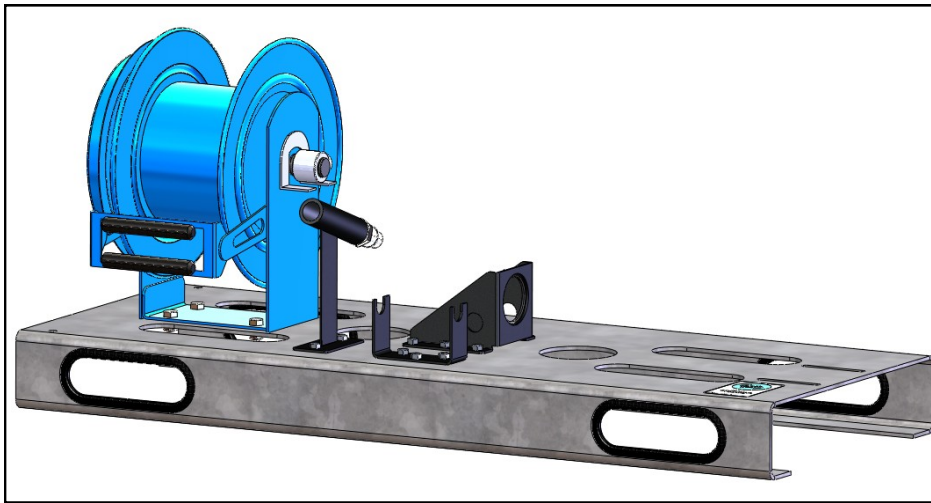
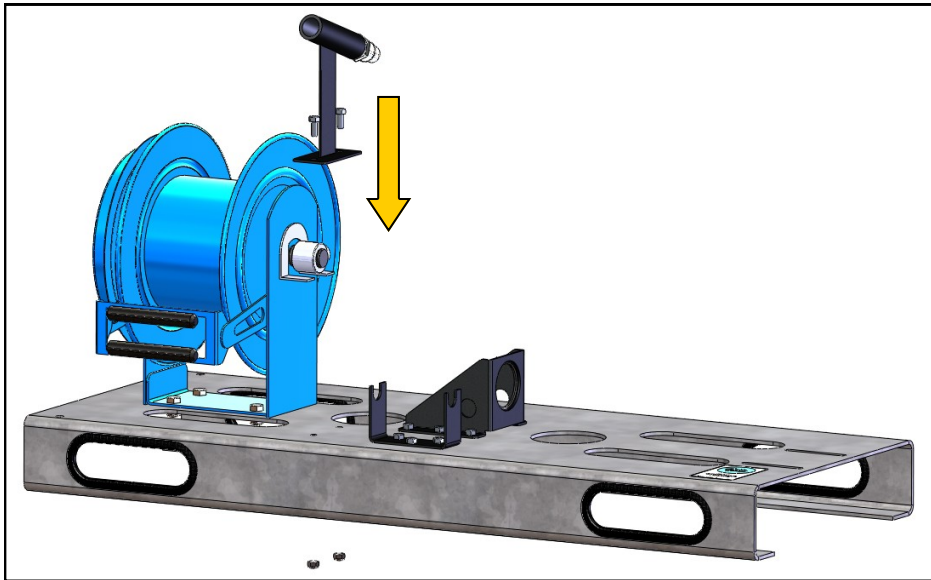
## ASSEMBLY



# ASSEMBLY

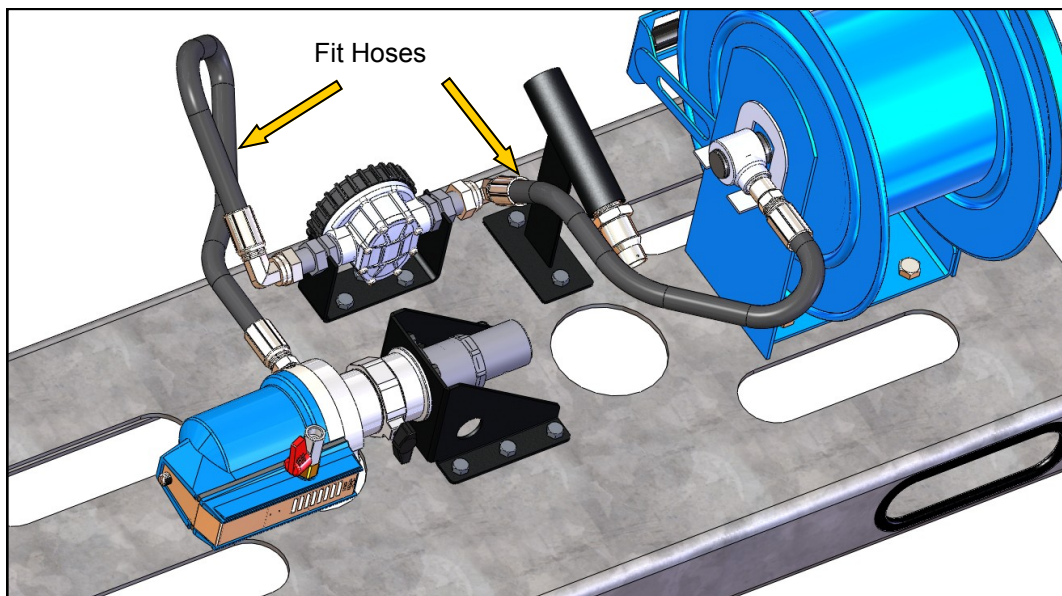
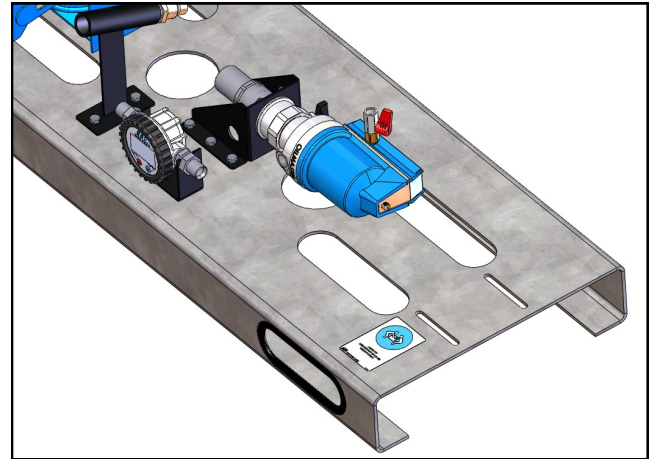
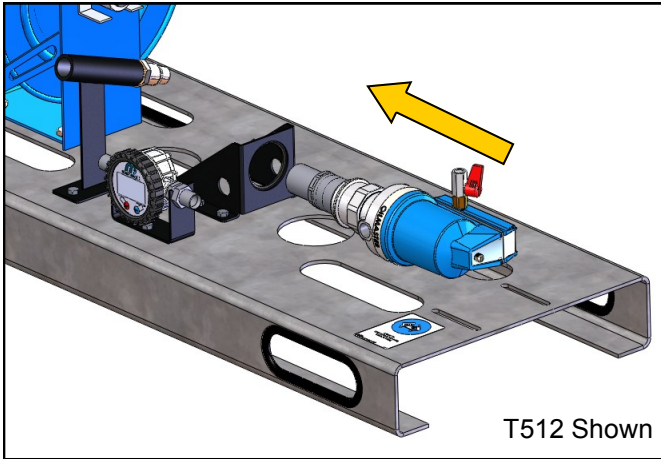


# ASSEMBLY



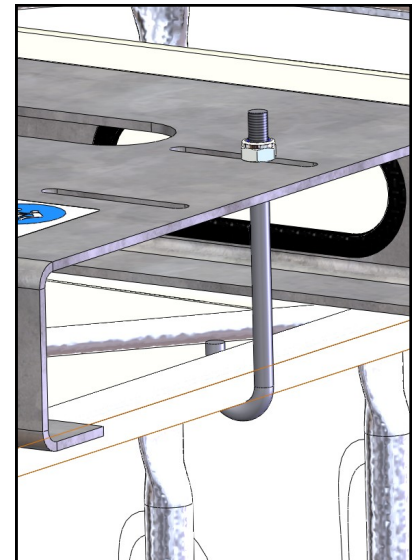
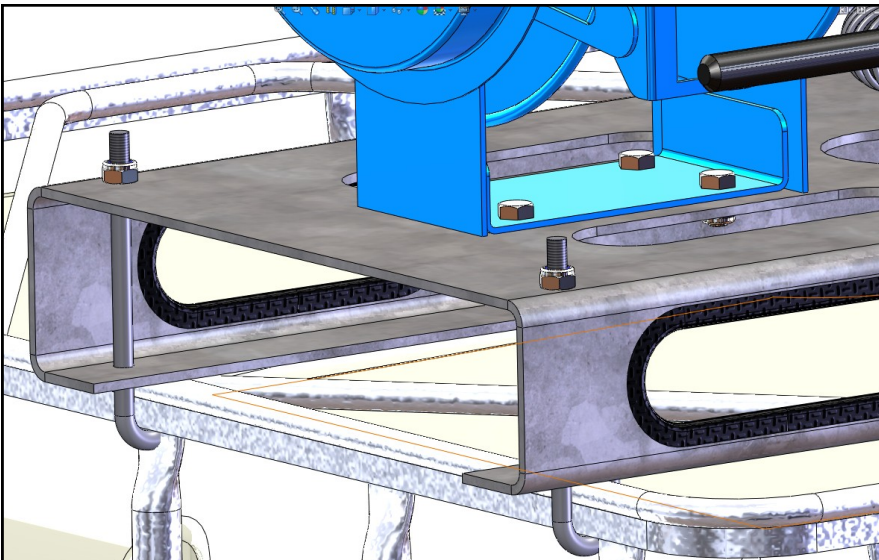
 27mm Wrench  
Thread sealant

# ASSEMBLY



**!** **IMPORTANT - J bolt fitment**

 17mm Wrench



## OPERATION



### **IMPORTANT**

Ensure that a ball valve is fitted to the air inlet of the Pump



### **CAUTION**

Check that the IBC system is securely seated and fastened to the IBC (Tote)

1. Ensure Tote (IBC) has sufficient fluid
2. Ensure air is off at the pump
3. Place control handle nozzle into inlet port of the item to be filled
4. Turn air on at pump ball valve
5. Pull trigger on control handle and fluid will flow
6. Read volume on meter
7. Release trigger or Switch off air to pump when required volume of fluid is reached
8. Place Control handle into drip tube - ensure tube does not feed back into tank to prevent contamination

## ***TROUBLE SHOOTING GUIDE***

Refer to individual product instruction manuals for trouble shooting guides for Pump, Control Handle and Reel.



**Macnaught Pty Limited**

ABN 66 000 075 785

41-49 Henderson Street  
Turrella NSW 2205 Sydney Australia  
Postal Address PO Box 90  
Amcliffe NSW 2205 Sydney Australia

**T:** +61 2 9567 0401

**F:** +61 2 9597 7773

**W:** [www.macnaught.com.au](http://www.macnaught.com.au)

**For Warranty Terms and Conditions see [macnaught.com.au](http://macnaught.com.au)  
For a list of Australian Service Centres see [macnaught.com.au](http://macnaught.com.au)**