

Includes models

GS100-01
 GS100-03
 OS50G-01
 OS50GE-01
 OS100B-01
 OS100G-01
 OS100GE-01
 TR205-01

Oil Systems Grease Systems TR205 Litre Trolley



INSTRUCTION MANUAL

Introduction

Thank you for purchasing either a Macnaught 205ltr Trolley, Oil System or Grease System. These Systems are designed to suit either 205 litre or 180kg drums.

Macnaught also manufacture a complete range of retractable hose reels, oil dispensing nozzles, fuel pumps, oil pumps, positive displacement flow meters, greasing equipment and a complete range of accessories to suit all your fluid handling requirements.

GENERAL INFORMATION

Please take a few moments to read through this manual before using your oil or grease system. Read and retain this instruction manual to assist you on the assembly, installation and future reference of the products listed above, and special attention to any warnings or cautions mentioned in this instruction manual.

TR205 TROLLEY ASSEMBLY

The TR205 Trolley carton contains:

1 x Trolley base, 1 x Trolley handle assy, 2 x wheels, 1 x Brake Castor, 1 x Safety chain, 4 x 10mm x 25mm long Bolts, 4 x 10mm Nuts, 8 x 10mm Washers, 4 x 16mm Washers, 2 x Cotter pins, 2 x 5/16" x 1" long Set screws, 1x Instruction manual.

- 1) Remove all the components from the carton.
- 2) Fit a16mm washer to each wheel axle on the trolley base.
- 3) Fit one wheel to each axle, place a second 16mm washer to each axle and fit the cotter pins to secure the wheels
- 6) Line up the 4 holes on the Castor plate with the 4 mounting holes on the trolley base.
- 7) Secure the castor to the trolley base by using the 10mm bolts, washers and nuts supplied. Tighten all bolts and nuts securely.

Note: If no reel is to be fitted, slide the trolley handle into position and secure by fitting the set screws to the screw holes on the underside of the trolley.

FITTING REEL TO TROLLEY (OS50, OS100, GS100)

- 8) Slide the leg of the trolley handle, from the top of the reel (3) down through the reel mounting holes.



Fig1

- 9) Slide the plastic washer up the trolley leg to the reel, followed by the support collar. Secure the support collar to the trolley leg by fitting the self tap screw supplied through the support collar into the hole located on the trolley leg.

- 10) Secure the handle to the trolley base by fitting the two set screws on the under side of the trolley.

- 11) The Safety chain is attached to the hooks located on either side of the handle.



CAUTION

- * Do not leave the trolley on an incline or unattended.
- * Always apply the wheel brake when the trolley is not being moved.
- * Always use the safety chain to secure the drum.
- * Always disconnect the air supply before moving the trolley.

HOW TO USE THE CASTOR BRAKE

- 1) Press brake lever down to lock.
- 2) Lift the brake lever to unlock.

Note: To adjust the brake tension, tighten the cross bolt holding the brake. Check brake function weekly.

FITTING THE DRUM ON THE TROLLEY

- 1) Tilt the drum and slide the trolley as far under the drum as possible.
- 2) Press the brake lever on the castor "down" to lock the trolley in position.
- 3) Slide the drum fully into position on the trolley.
- 4) Secure the safety chain around the drum.

OIL SYSTEM ASSEMBLY

The OS100 Oil System carton contains:

1 x TR205Trolley (Trolley contents listed on page 1), 1x Oil pump, 1 x Oil Reel, 1 x Suction Hose (3/4" 1.5m), 1 x Feeder hose (1/2" x 1m), 2 Piece Suction Tube, Bung Adapter, Pump Mounting Bracket, plus fittings.

The OS50 Oil System carton contains:

1 x TR205Trolley (Trolley contents listed on page 1), 1x Oil pump, 1 x Oil Reel, 1 x Feeder hose (1/2" x 1m), Bung Adapter, Pump Mounting Bracket, plus fittings.

Note: Oil control guns are only supplied with specific model systems.

- 1) Remove all components from the carton.
- 2) Assemble trolley. Refer to ("TR205 Trolley Assembly") on page 1.
- 3) Slide the trolley handle and reel assembly into position on the trolley base. Refer to ("Fitting reel to trolley") on page 1
- 4) Fit the pump mounting bracket (9) to the support plate on the trolley handle (refer to fig 3) using the 8mm screws, nuts and washers (8) supplied.

Note: Use a suitable thread sealant (eg. Teflon tape) on all screwed fittings but do not over tighten to avoid component damage.

ASSEMBLE PUMP AND FITTINGS TO OS100



- 1) Screw the pump bung adapter into the mounting bracket, then slide the pump into position and lock the pump firmly into position.
- 2) Screw the top and bottom suction tubes firmly together.
- 3) Screw the 3/4" BSP Male fitting on the suction hose to the oil inlet on the bottom of the pump and tighten securely.

4) Screw the 90° elbow on the other end of the suction hose onto the thread adapter located on top of the suction tube and tighten securely.

5) Slide the Bung Adaptor assembly onto the Suction Tube and tighten to stop it from sliding down the tube.

6) Slide the Suction Tube assembly into the oil drum, release the clamp screw holding the bung adaptor and screw the bung adaptor firmly into place, then re-tighten the bung adaptor clamp screw.

7) Screw the feeder hose to the oil outlet on the pump using the 3/4" (M) x 1/2" (F) pump adaptor supplied.

8) Screw the remaining end of the feeder hose to the reel using the 1/2" (F) x 3/8" (F) reel adaptor supplied.

9) Screw the Oil Gun swivel (if supplied) on to the hose outlet on the oil reel.

Note: Use the Oil Gun Hanger located on the trolley handle to secure the Oil Gun when the system is not in use.

ASSEMBLE PUMP AND FITTINGS TO OS50



1) Screw the pump bung adapter into the drum, then slide the pump through the bung adapter and lock into position.

2) Screw the feeder hose to the oil outlet on the pump using the 3/4" (M) x 1/2" (F) pump adaptor supplied.

3) Screw the remaining end of the feeder hose to the reel using the 1/2" (F) x 3/8" (F) reel adaptor supplied.

4) Screw the Oil Gun swivel (if supplied) on to the hose outlet on the oil reel.



CAUTION

Make sure all connections are tight before connecting the air supply.

After connecting the air supply, check for any oil leaks at hose connections. Tighten connections as required.

Do not use Air Pressure greater than 10 BAR/ 1000kPa/ 145 PSI.

Disconnect the air line, press the oil gun trigger to release oil line pressure before carrying out any maintenance.

Please refer to the individual product specific instruction sheets for product maintenance and trouble shooting information.

GS100 GREASE SYSTEM ASSEMBLY

GS100 GREASE SYSTEM ASSEMBLY

The GS100 Grease System carton contains:

1 x TR205 Trolley (Trolley contents listed on page 1), 1x P8 Grease Pump, 1 x Lid and Follower set, 1 x Grease Feeder hose, GR100 Grease reel, 1 x B2 Booster Grease Gun, with ZSB Swivel

- 1) Remove all components from the carton.
- 2) Fit the castor and trolley wheels to the trolley base as described on page 1 (TR205 Trolley Assembly items 2-7).
- 3) Slide the leg of the trolley handle, from the top of the reel down through the reel mounting holes.
- 4) Slide the plastic washer up the trolley leg to the reel, followed by the support collar. Secure the support collar to the trolley leg by fitting the self tap screw supplied, through the support collar into the hole located on the trolley leg.
- 5) Slide the trolley handle and reel assembly into position on the trolley base.
- 6) Secure the handle to the trolley base by fitting the two 5/16" set screws to the holes located directly under the handle on the underside of the trolley base.

Note: Use a suitable thread sealant (eg. Teflon tape) on all screwed fittings but do not over tighten to avoid component damage.

- 7) Position the grease pump follower centrally in the grease drum and hook the follower handle chain over the edge of the drum.
- 8) Place the grease pump lid on top of the drum. The weight of the pump will hold the lid on the drum there is no need to secure the lid on the drum.
- 9) Insert the grease pump suction tube through the hole in the lid and follower. The pump is not connected to the lid to allow easy change over when the drum is empty.
- 10) Connect the fixed end of the PF8 2.5 m high pressure feeder hose to the pump outlet.
- 11) Connect the swivel fitting on the remaining end of the feeder hose to the inlet on the grease reel (1/4" reel adapter supplied).
- 12) Connect the B2 Booster gun to the hose outlet on the reel.



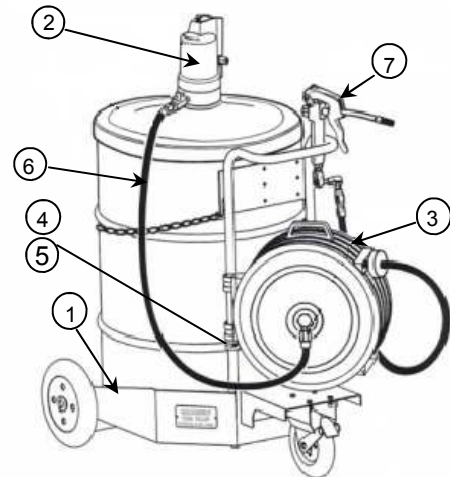
CAUTION

Make sure all connections are tight before connecting the air supply. After connecting the air supply, check for any grease leaks at hose connections. Tighten connections as required.

Do not use Air Pressure greater than 10 BAR/ 1000kPa/ 145 PSI.

Never exceed the working pressure rating of any component in the system. The Grease pressure is 50 times the air pressure applied.

This system uses a high pressure grease pump. Because of the high working pressures developed by this pump weak or damaged hoses are a potential hazard.



GS100 GREASE SYSTEM

GS100 GREASE SYSTEM

Item	No off	Part or Set	Kit. Ref	Part name
1	1	TR205-01		Trolley
2	1	P8-11		P8-11 Grease Pump (complete)
3	1	GR100		Grease Reel
4	1	n/a		Support Washer
5	1	n/a		Support Coller
6	1	PF8		HP Feeder hose
7	1	B2-01		Booster gun w ith swivel



WARNING

Before each use, check hoses for signs of wear, leaks or loose fittings. Tighten all fluid connections regularly and replace weak or damaged hose. Your personal safety and well being are at stake.

Before attempting any maintenance or repairs of this product, disconnect the air supply then squeeze the gun trigger to release the fluid pressure.

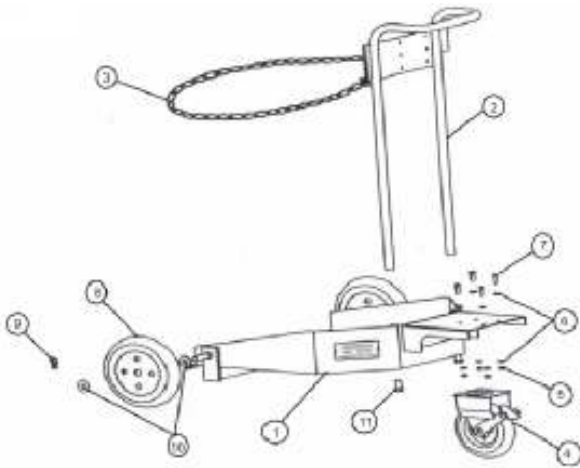
DO NOT hit the pump if it fails to operate. Refer to the "Trouble Shooting Guide" in the P8 Instruction Manual or contact your nearest authorised Macnaught Service Centre.

Please refer to the individual product specific instruction sheets for product maintenance and trouble shooting information.

FITTING THE DRUM ON THE TROLLEY

- 1) Tilt the drum and slide the trolley as far under the drum as possible.
- 2) Press the Brake Lever on the caster "down" to lock the trolley in position.
- 3) Slide the drum Fully into position on the trolley.
- 4) Secure the safety chain round the drum.

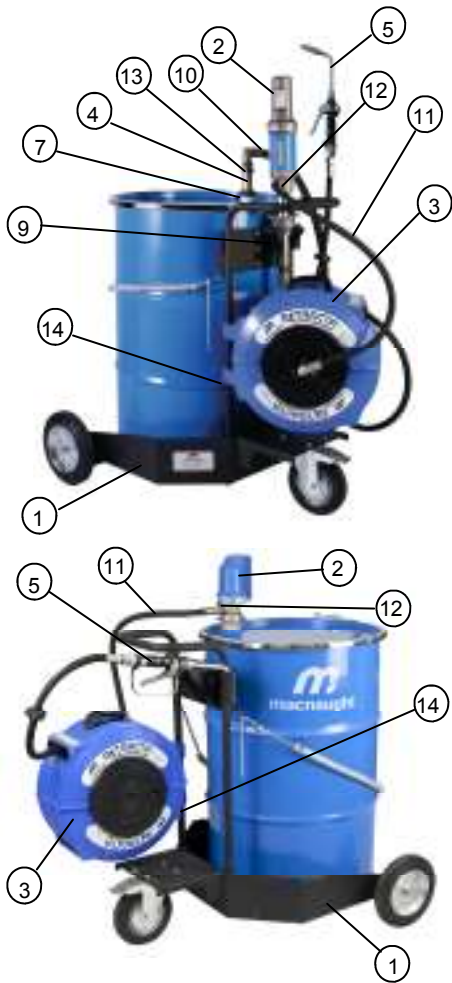
PARTS DIAGRAM



TR205 TROLLEY

Item	No off	Part or Set	Kit. Ref	Part name
1	1	n/a - new trolley required		Trolley Base
2	1	n/a - new trolley required		Trolley Handle
3	1	TR111s	A	Safety Chain
4	1	TR106s		Caster c/w Brake
5	4		A	Nut
6	8		A	Washer
7	4		A	Bolt
8	2	TR105s		Wheel
9	2		A	Cotter Pin
10	4		A	Washer
11	2		A	Set Screw

Parts contained in Nut and bolt Kit TR205-1K "A"



OS100 OIL SYSTEM

Item	No off	Part or set	Part or Set	Kit. Ref	Part name
1	1	TR205	TR205-01		Trolley
2	1	*	R300S-01		R300S Oil Pump (3:1)
3	1	*	OLP2121		OLP100 Oil Reel
4	1	GM38s	ST005As		Suction Tube Assembly
5	1	*	*		Oil Gun
6	1	*	*		Oil Gun Boot (not show n)
7	1	GR34S	GR34s		Bung Adaptor Set
8	1	N51S	n/a		Nut & Bolt Set (not show n)
9	1	TD20	TD20		Wall Bracket
10	1	RH109	RH109s		Suction Hose 3/4" x 1.5m (BSP)
11	1	RH108	RH108s		Feeder Hose 1/2' x 1m (BSP)
12	1	N384	N384s		Reducing Bush
13	1	TD113	N453s		Adaptor
14	1	RB5S	n/a		Support Washer / Collar Set
15	1	N384	N384s		Reducing Bush (not show n)

* Nominate Pump Model w hen ordering replacement parts

* Nominate Oil Reel Model w hen ordering replacement parts

* Nominate Oil Gun Model w hen ordering replacement parts

OS50 OIL SYSTEM

Item	No off	Part or set	Part or Set	Kit. Ref	Part name
1	1	TR205	TR205-01		Trolley
2	1	*	T312T-01		R300S Oil Pump (3:1)
3	1	*	OLP2121		OLP100 Oil Reel
5	1	*	*		Oil Gun
10	1	RH109	RH109s		Suction Hose 3/4" x 1.5m (BSP)
11	1	RH108	RH108s		Feeder Hose 1/2' x 1m (BSP)
12	1	N384	N384s		Reducing Bush
13	1	TD113	TD113s		Adaptor
14	1	RB5S	n/a		Support Washer / Collar Set
15	1	N385	N385s		Reducing Bush (not show n)

* Nominate Pump Model w hen ordering replacement parts

* Nominate Oil Reel Model w hen ordering replacement parts

* Nominate Oil Gun Model w hen ordering replacement parts



Macnaught Pty Limited
ABN 60 000 070 785

41-43 Henderson Street
Turrella NSW 2205 Sydney Australia
Postal Address: PO Box 90
Ardilfe NSW 2205 Sydney Australia

T: +61 2 9667 0401

F: +61 2 9667 7773

W: www.macnaught.com.au

Note:

This product should be disposed of according to all applicable local and national government environment regulations and guidelines.



For Warranty Terms and Conditions see macnaught.com.au
For a list of Australian Service Centres see macnaught.com.au