

FUEL PUMP CONNECTOR KITS



(For connecting GT / RVP / HP / GP Fuel Pumps to various Filter & / or DM100 Meter combinations)

Introduction



WARNING

(DO NOT USE TEFLON TAPE WITH THESE FILTER AND METER ASSEMBLIES)

Thank you for purchasing a Macnaught Fuel pump connector kit.

Please read and retain this instruction manual to assist you in the operation and assembly of your quality product.

If you are using a Macnaught bowl-type fuel filter, Macnaught recommends that you use a Macnaught HA7s replacement 10 micron paper element when required.



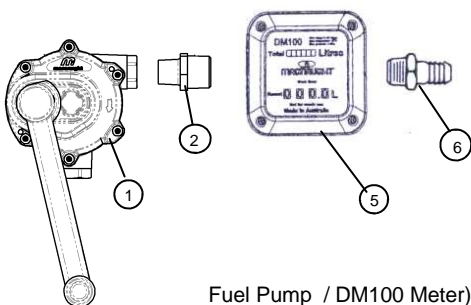
IMPORTANT

The filter bowl should be hand tightened only.

Do not lean or pull on the filter and or meter assembly when operating the pump.

DV-01 CONNECTOR KIT for models (GT-01 and RVP-01)

(incl. items 2, 4, 6) Refer to Fig 5 and Fig 6.



(Fig 6)

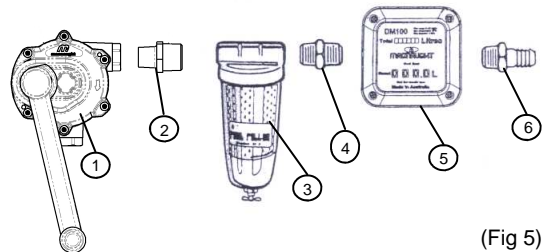
Fuel Pump / DM100 Meter

- 1) Remove the hose and tube from the pump.
- 2) Apply fuel resistant thread sealant to all male threads.
- 3) Fit parts adaptor (2) to the pump (1).
- 4) Fit the "IN" side of the meter to the adaptor (2) .

Note: Ensure the meter is installed so the flow of the liquid is in the direction of the arrows embossed on the meter body.

- 5) Fit the hose tail (6) to the "OUT" side of the meter.
- 6) Fit the hose to the hose tail (6) located on the "OUT" side of the meter (5).

DV CONNECTOR KIT			ORDER FOR REPLACEMENT		
ITEM	PART No.	No. off	PART/SET No	KIT. REF	DESCRIPTION
1	RVP	1			PUMP
2	N439s	1	N439s		ADAPTOR
3	HA1s	1			FILTER ASSY
4	PB19	1	PB19s		NIPPLE
5	DM100	1			METER
6	VR23	1	VR23S		HOSE TAIL



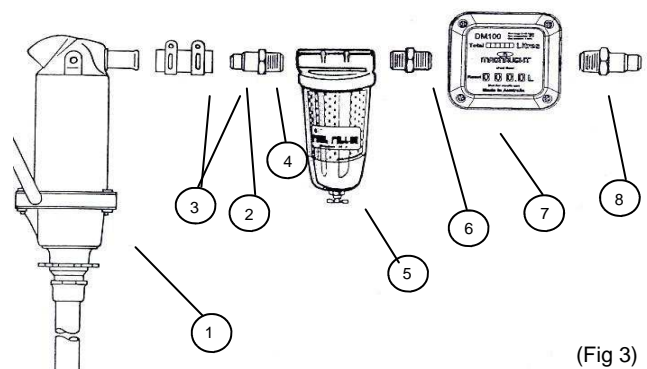
(Fig 5)

(Fuel Pump / Filter / DM100 Meter)

- 1) Remove the hose and outlet tube from the pump.
 - 2) Apply a fuel resistant thread sealant to all male threads.
 - 3) Fit adaptor 2 to the pump (1) outlet.
 - 4) Screw the "IN" side of the filter housing onto the adaptor(2), and the nipple (4) to the "OUT" side of the filter housing(3).
 - 5) Screw the "IN" side of the meter (5) onto the remaining end of the nipple (4).
- Note:** Ensure the meter is installed so the flow of the liquid is in the direction of the arrows embossed on the meter body.
- 6) Screw the hose tail (6) to the "OUT" side of the meter.
 - 7) Fit the hose to the hose tail (6) located on the "OUT" side of the meter (5).

DH-01 CONNECTOR KIT

(incl. items 2, 3, 4, 6 and 8) Refer to Fig 3 and Fig 4.



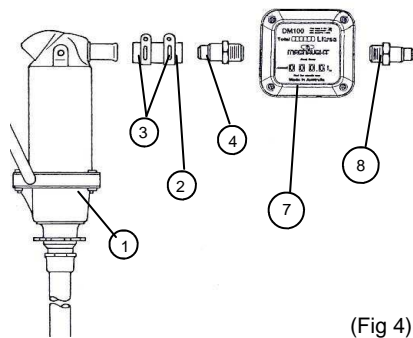
(Fig 3)

(Fuel Pump / Filter / DM100 Meter)

- 1) Apply Loctite Pipe Sealant to all male threads.
- 2) Fit the hose tail (4) to the "IN" side on the filter housing and the nipple (6) to the "OUT" side of the filter housing. Screw the remaining end of the nipple (6) to the "IN" side of the meter (7).

Note: Ensure the meter is installed so the flow of the liquid is in the direction of the arrows embossed on the meter body.

- 3) Fit the Hose tail (8) to the "OUT" side of the meter.
- 4) Fit the hose (2) to the hose tail (4) and tighten with the hose clamp (3) provided. Fit the remaining end of the hose (2) to the pump outlet (1) and tighten firmly using the remaining hose clamp (3) provided.
- 5) Fit the pump hose to the hose tail (8) located on the "OUT" side of the meter.



(HP Fuel Pump / DM100 Meter)

- 1) Apply Loctite Pipe Sealant to all male threads.
 - 2) Fit the hose tail (4) to the "IN" side of the meter.
- Note:** Ensure the meter is installed so the flow of the liquid is in the direction of the arrows embossed on the meter body.
- 3) Fit the Hose tail (8) to the "OUT" side of the meter.
 - 4) Fit the hose (2) to the hose tail (4) and tighten with the hose clamp (3) provided. Fit the remaining end of the hose (2) to pump outlet (1) and tighten firmly using the remaining hose clamp (3) provided.
 - 5) Fit the pump hose to the hose tail (8) located on the "OUT" side of the meter.

DH CONNECTOR KIT			ORDER FOR REPLACEMENT		
ITEM	PART No.	No. off	PART/SET No	KIT. REF	DESCRIPTION
1	HP	1			PUMP
2	HA 11	1	HA 11s		HOSE
3	N370	2			HOSE CLAMP
4	HA 12	1	HA 12s		HOSE TAIL
5	HA 1S-01	1			FILTER ASSY
6	PB19	1	PB19s		ADAPTOR
7	DM100	1			METER
8	HA 12	1	HA 12s		HOSE TAIL



IMPORTANT

The filter bowl should be hand tightened only.
Do not lean or pull on the filter and or meter assembly when operating the pump.



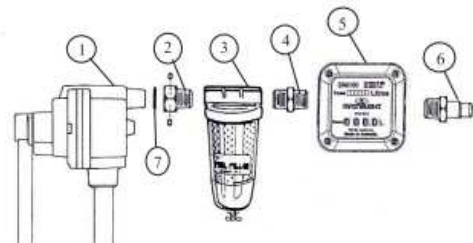
Macnaught Pty Limited
ABN 66 000 075 785

41-49 Henderson Street
Turrella NSW 2205 Sydney Australia
Postal Address PO Box 90
Amcliffe NSW 2205 Sydney Australia

T: +61 2 9567 0401
F: +61 2 9597 7773
W: www.macnaught.com.au

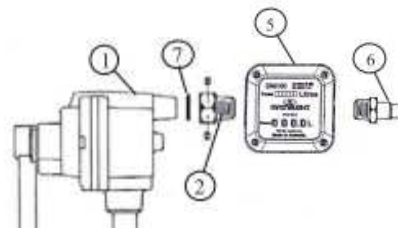
NOTE: DG-01 suitable only for old model GP-01

(incl. items 2, 4, 6 and 7) Refer to Fig 1 and Fig 2.



(GP Fuel Pump / Filter / DM100 Meter)

- 1) Apply Loctite Pipe Sealant to all male threads.
 - 2) Fit the adaptor (2) to the "IN" side on the filter housing and the nipple (4) to the "OUT" side of the filter housing.
 - 3) Screw the remaining end of the nipple (4) to the "IN" side of the meter (5).
- Note:** Ensure the meter is installed so the flow of the liquid is in the direction of the arrows embossed on the meter body.
- 4) Fit the Hose tail (6) to the "OUT" side of the meter.
 - 5) Push the filter firmly onto the outlet of the pump. Tighten the grub screws.
 - 6) Fit the pump hose to the hose tail (6) located on the "OUT" side of the meter.



(GP Fuel Pump / DM100 Meter)

- 1) Apply Loctite Pipe Sealant to all male threads.
 - 2) Fit the adaptor (2) to the "IN" side of the meter.
- Note:** Ensure the meter is installed so the flow of the liquid is in the direction of the arrows embossed on the meter body.
- 3) Fit the Hose tail (6) to the "OUT" side of the meter.
 - 4) Push the meter firmly onto the outlet of the pump. Tighten the grub screws.
 - 5) Fit the pump hose to the hose tail (6) located on the "OUT" side of the meter.

DG CONNECTOR KIT			ORDER FOR REPLACEMENT		
ITEM	PART No.	No. off	PART/SET No	KIT. REF	DESCRIPTION
1	GP	1			PUMP
2	GM32	1	GM32s (incl screws)		ADAPTOR
3	HA 1S-01	1			FILTER ASSY
4	PB19	1	PB19S		ADAPTOR
5	DM100	1			METER
6	HA 12	1	HA 12s		HOSE TAIL
7	BS215	1	BS215s		O'RING

For Warranty Terms and Conditions see macnaught.com.au
For a list of Australian Service Centres see macnaught.com.au