

WARRANTY



WARRANTY INFORMATION

We warrant that this product will be free from defects in materials or workmanship for a period of 12 months from the date of purchase. The benefits conferred by this warranty are in addition to all rights and remedies which you may be entitled to under the Australian Consumer Law, and any other statutory rights you may have under other applicable laws. This warranty does not exclude, restrict or modify any such rights or remedies.

Any claim under this warranty must be made within 12 months of the date of purchase of the product. To make a claim under the warranty, take the product (with proof of purchase) to the store where you purchased the product. Fanmaster Pty Ltd will pay your reasonable, direct expenses of claiming under this warranty. You may submit details and proof of your expense claim to Fanmaster Pty Ltd for consideration.

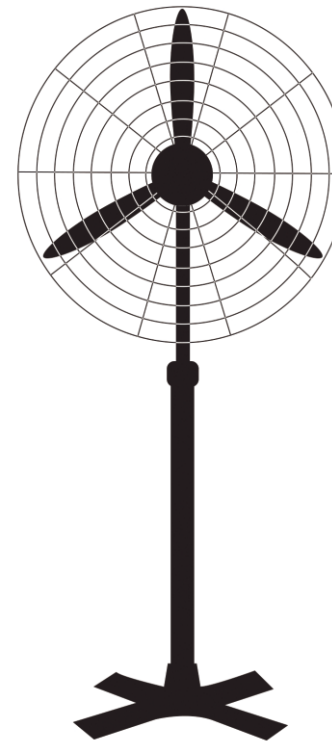
This warranty is given by
Fanmaster Pty Ltd
ABN: 45 353 934 457
Unit 1/6-8 Yalgar Rd, KIRRAWEE NSW 2232
P: 1300 900 345
Email: sales@fanmaster.com.au

This warranty is provided in addition to other rights and remedies you have under law: Our goods come with guarantees which cannot be excluded under the Australian Consumer Law. You are entitled to replacement or refund for a major failure and to compensation for other reasonably foreseeable loss or damage. You are also entitled to have the goods repaired or replaced if the goods fail to be of acceptable quality and the failure does not amount to a major failure.

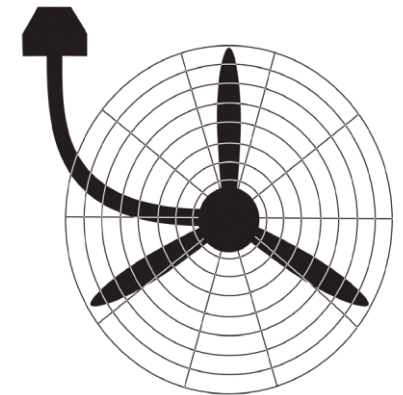
Warranty exclusions:

Any defects caused by an accident, misuse, abuse, improper installation or operation, lack of reasonable care, unauthorized modification, loss of parts, tampering or attempted repair by a person not authorized by the distributor. Any product that has not been installed, operated or maintained to a satisfactory level. Any damage caused by improper power input or improper cable connection.

PEDESTAL FAN & WALL FAN Instruction Manual



Model No. NFPD75



Model No. NFWL75

SAFETY INSTRUCTIONS

This product is intended for indoor use only.

Always operate the product from a power source of the same voltage, frequency and rating as indicated on the product identification plate.

To reduce the risk of electric shock, do not use this fan with any solid state speed control device.

This appliance is not intended for use by persons (including children) with reduced physical, sensory or mental capabilities, or lack of experience and knowledge, unless they have been given supervision or instruction concerning use of the appliance by a person responsible for their safety.

Do not insert fingers or any other foreign object through the front and rear guard and into the blade.

Close supervision is necessary when any product is used by or near children or infirm persons. Do not allow children to use it as a toy.

Do not operate any product with a damaged cord or plug, after the product malfunctions, is dropped or appears damaged in any way. Return the complete product to the place of purchase for inspection, repair or replacement.

To reduce the risk of electric shock, do not immerse or expose the product or flexible cord to rain, moisture or any liquid.

This product should not be used in the immediate vicinity of water, such as sinks, bathtub, washbowls, swimming pool etc. where the likelihood of immersion or splashing could occur.

Switch off and unplug from outlet when not in use, before assembling or disassembling parts and before cleaning. Fully assemble the fan before switching on.

Avoid contact with moving parts. Do not insert any object through the grill when the fan is operating.

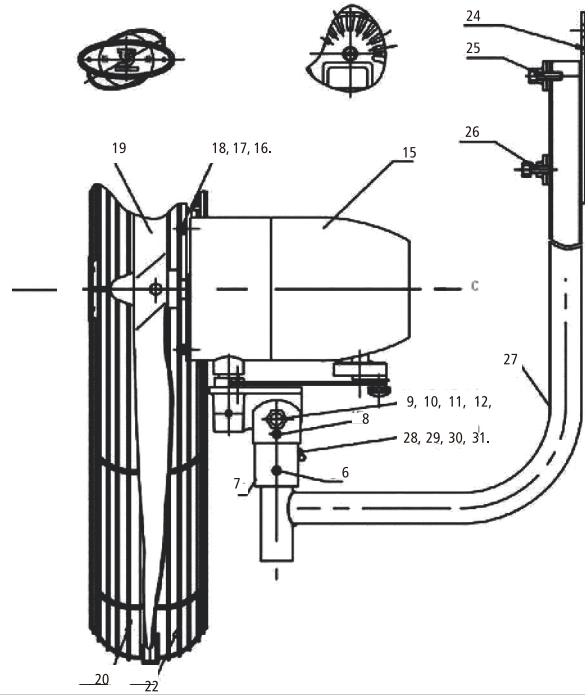
Do not cover the grill, or operate in close proximity to curtains, etc.

Always disconnect the fan when moving it from one location to another.

The use of attachments or accessories not recommended or sold by the product distributor may cause personal or property hazards or injuries.

Never attempt to make any modifications to or repair the product yourself. Have it repaired by a qualified person only.

EXPLOSION VIEW & PARTS BREAKDOWN



Serial No.	Item No.	Des.	QTY	Spec./Material	Remark
6	GB818-85	Cross screw	1	M6X12	Plate color zinc
7	FB,FB-65-040-040-000	Under connector	1	HT-100	Spray coating
8	GB818-85	Cross screw	1	M6X20	Plate color zinc
9	GB95-85	Washer	1	φ12	Plate color zinc
10	GB593-85	Spring washer	1	φ12	Plate color zinc
11	GB52-76	Hex nut	1	M12X40	Plate color zinc
12	GB30-76	Hex bolt	1	M12X40	Plate color zinc
15	FB,FB-65-011-000-010	Motor assembled indication	1		2M Cord
16	FS,FB-65-011-070-000	Fit washer	4	D15 d6,5 h1,5	Plate color zinc
17	GB593-85	Spring washer	4	φ6	Plate color zinc
18	GB818-85	Cross screw	4	M6X16	Plate color zinc
19	FS,FB-65-030-000-000	Fan blade	1		Spray coating
20	FS,FB-65-020-020-000	Front net	1		Spray coating
21	FS,FB-65-020-010-000	Back net	1		Spray coating
23	FS,FB-65-070-020-000	Rating label	1	Label	
24	FB-65-061-000-000	Hanger wall combination	1		Spray coating
25	GB30-76	Hex bolt	1	M8X25	Plate color zinc
26	GB30-76	Hex bolt	1	M8X20	Plate color zinc
27	FB-65-060-030-000	Hanger wall and elbow combination	1	§=1,2Xφ32/A3 High frequency tube	Spray coating
28	KDDT-360	Cable clamp	1	φ6/NYLON1010	
29	GB95-85	Washer	1	φ4	Plate color zinc
30	GB593-85	Spring washer	1	φ4	Plate color zinc
31	GB70-76	Semicircular screw	1	M4X8	Plate color zinc

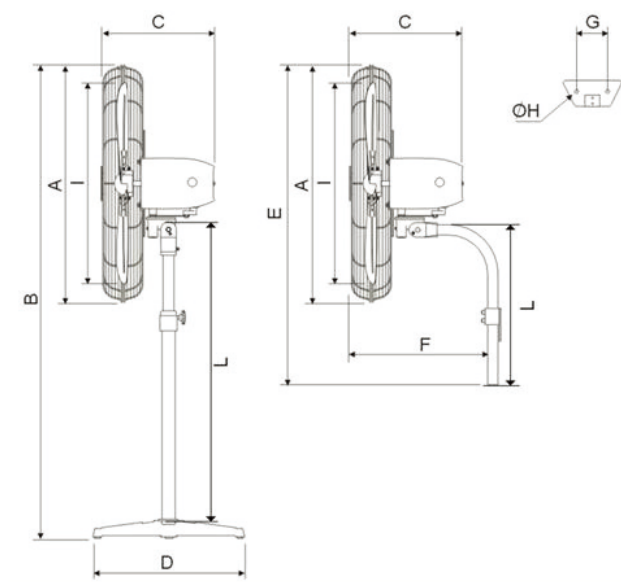
SAFETY INSTRUCTIONS (CONTINUED)

Place the appliance on a flat and dry surface.

Manufacturer takes no responsibility for any damage caused by incorrect use.

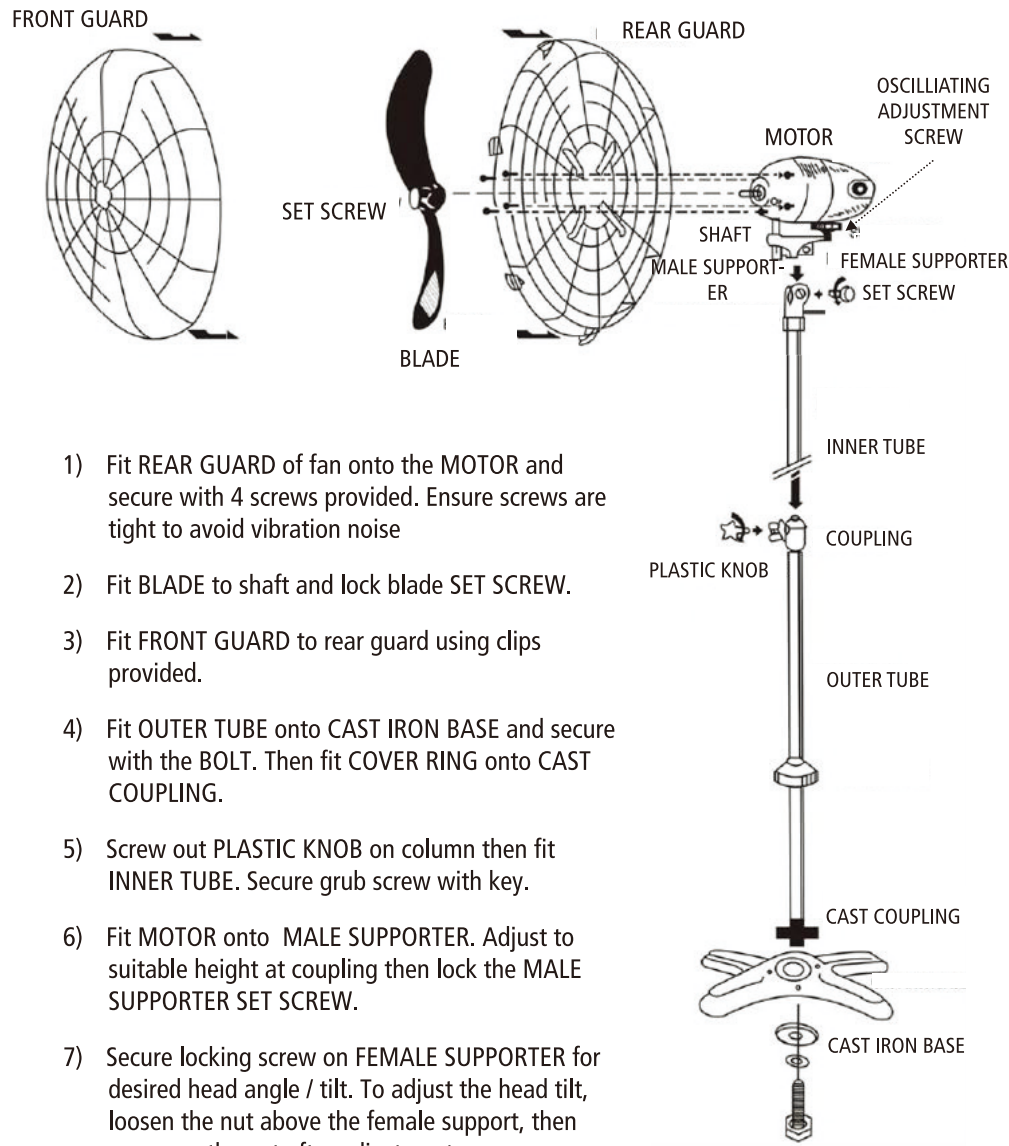
Precautions must be taken to avoid the back-flow of gases into the room from the open flow of gas or other fuel-burning appliances.

FAN DIMENSIONS



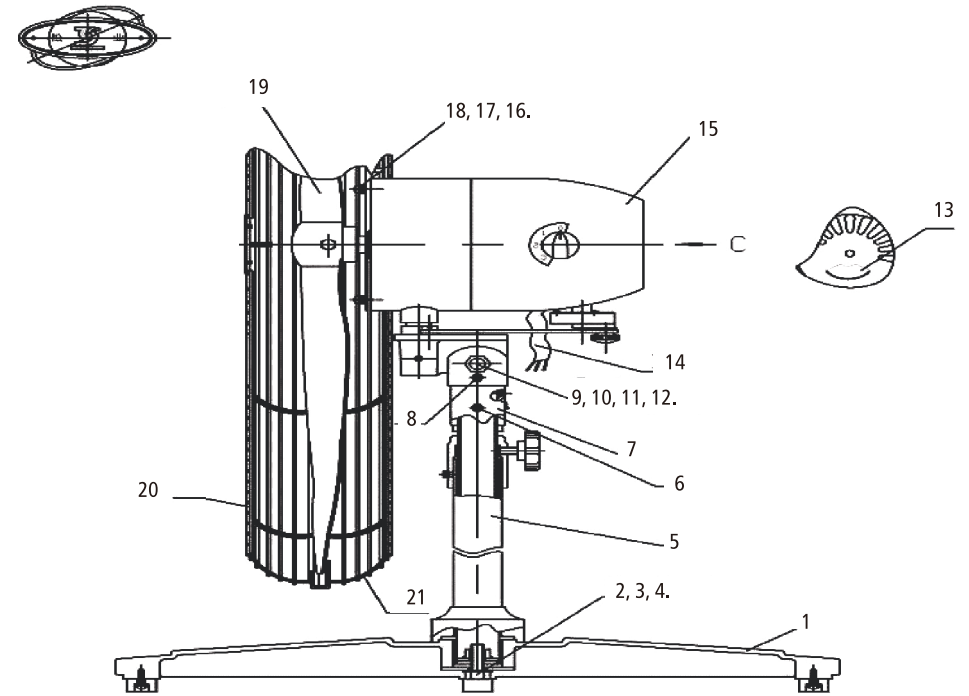
Item Model	A	B		C	E	F	G	H	L
		min	max						
NFPD75	810	1500	1900	305					1250
NFWL75	810			305	850	500	125	12.5	400

PEDESTAL FAN ASSEMBLY



- 1) Fit REAR GUARD of fan onto the MOTOR and secure with 4 screws provided. Ensure screws are tight to avoid vibration noise
- 2) Fit BLADE to shaft and lock blade SET SCREW.
- 3) Fit FRONT GUARD to rear guard using clips provided.
- 4) Fit OUTER TUBE onto CAST IRON BASE and secure with the BOLT. Then fit COVER RING onto CAST COUPLING.
- 5) Screw out PLASTIC KNOB on column then fit INNER TUBE. Secure grub screw with key.
- 6) Fit MOTOR onto MALE SUPPORTER. Adjust to suitable height at coupling then lock the MALE SUPPORTER SET SCREW.
- 7) Secure locking screw on FEMALE SUPPORTER for desired head angle / tilt. To adjust the head tilt, loosen the nut above the female support, then re-secure the nut after adjustment.

EXPLOSION VIEW & PARTS BREAKDOWN



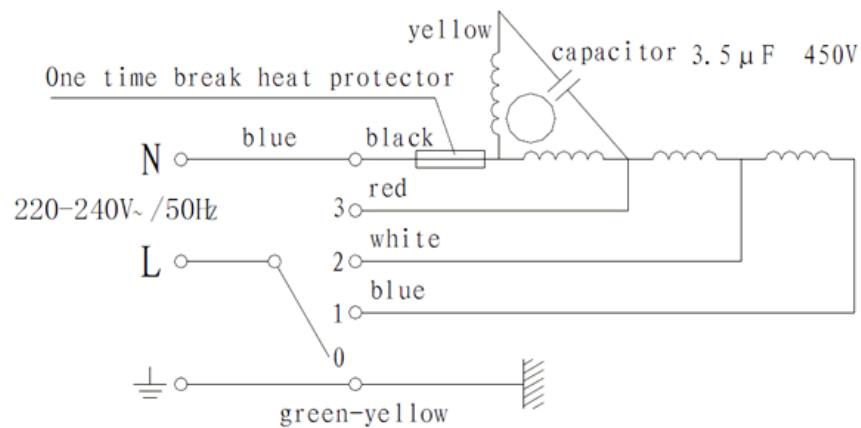
Serial No.	Item No.	Des.	QTY	Spec./Material	Remark
1	FS-75-050-000-000	Cross base	1	600/HT100	Spray coating
2	FS-75-040-030-000	Washer	1	D60 d12.5 S3	Plate color zinc
3	GB593-85	Spring washer	1	φ12	Plate color zinc
4	GB5780-86	Hex bolt	1	M12X40	Spray coating
5	FS-75-040-000-000	Supporting tube	1		Plate color zinc
6	GB818-85	Cross screw	1	M6X12	Spray coating
7	FS,FB-75-040-040-000	Under connector	1	HT-100	
8	GB818-85	Cross screw	1	M6X12	Plate color zinc
9	GB95-85	Washer	1	φ12	Plate color zinc
10	GB593-85	Spring washer	1	φ12	Plate color zinc
11	GB52-76	Hex nut	1	M12	Plate color zinc
12	GB30-76	Hex bolt	1	φ12X40	Plate color zinc
13	FS,FB-75-070-020-000	Rating label	1	Label	Plate color zinc
14		Power outlet	1	RVV 2X0.75+0.75M ²	Plate color zinc
15	FS,FB-75-011-000-010	Motor assembled indication	1		Plate color zinc
16	FS,FB-75-011-070-000	Fit washer	4	D15 d6.5 h1.5	2M Cord
17	GB593-85	Spring washer	4	φ6	Plate color zinc
18	GB818-85	Cross screw	4	M6X16	Plate color zinc
19	FS,FB-75-030-000-000	Fan blade	1	Aluminum	Plate color zinc
20	FS,FB-75-020-020-000	Front net	1		Spray coating
21	FS,FB-75-020-010-000	Back net	1		Spray coating
22	FS,FB-75-070-040-000	Net label	1	Aluminum	Spray coating

SPECIFICATIONS

Model	Description	Size (mm)	Volt (V~)	Freq (Hz)	Watts (W)	Air Flow (m ³ /min)
NFPD75	Pedestal Fan	750	220-240	50	280	290
NFWL75	Wall Fan	750	220-240	50	280	290

The data above is for reference only and may change without notice

ELECTRICAL DIAGRAM



WALL FAN ASSEMBLY

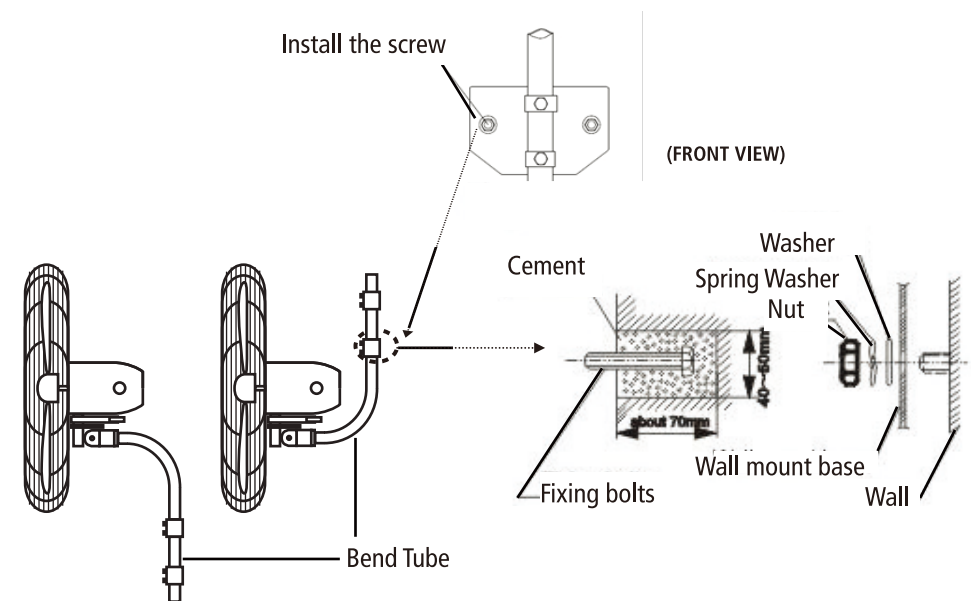
- 1) Complete points 1-3 on page 4.
- 2) Attach the wall mount base to the wall by drilling two holes with a M10*80 drill bit. Secure with the two M12 screws provided.

NOTE: Installation height should be a minimum of 2.5 metres from the ground.

IMPORTANT: Check wall is suitable for mounting and supporting the wall fan.

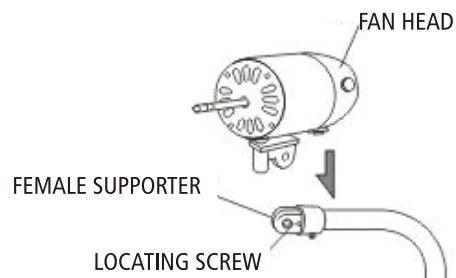
- 3) Insert the BEND TUBE through the two "U" shape slots provided in the wall mount base & lock them into position using the two screws provided.

NOTE: The Bend tube can be positioned either upwards or downwards. You must orient female support upward by removing the screw, repositioning & resecuring. Never attach the fan so it is hanging below the female supporter.



WALL FAN ASSEMBLY CONTINUED

- 4) Insert the motor into the female support and secure with the screw.



- 5) Secure locking screw on FEMALE SUPPORTER for desired head angle / tilt. To adjust the head tilt, loosen the nut above the female support, then re-secure the nut after adjustment.

WARNING! Make sure all parts are assembled correctly and connections are tight. **WARNING!** If supply cable is too tight the oscillating motion can cause damage - ensure sufficient section of cable to avoid damage.

ENVIRONMENT OF USE

- 1) The max relative humidity is 90%(when in 25°C);
- 2) Below 1000 metres altitude.

OPERATION

- 1) Make sure the Fans voltage is in accordance with local voltage before use.
- 2) The fan is recommended for use in ordinary indoor situations, but not at high humidity.
- 3) To turn on select the desired speed setting
 - 0 - Off
 - 1 - Slow
 - 2 - Medium
 - 3 - Fast
- 4) For fixed air flow ensure the swing arm is not connected to the fan motor
- 5) For oscillating air flow ensure the swing arm is connected to the fan motor by rotating the oscillating adjustment screw in an anti-clockwise direction.
- 6) Unplug the fan when not in use.

SWING ARM



FIG 1 – The fan switch on the OFF position



FIG 2 – The fan head in the FIXED air flow position



FIG 3 – For an OSCILLATING fan head, turn the OSCILLATING ADJUSTMENT screw anticlockwise to attach SWING ARM to fan head



FIG 4 – The fan head in the OSCILLATION position. Oscillation is 0-90°.

MAINTENANCE

- 3) To ensure prolonged safe use ensure you have this unit inspected, cleaned & moving parts lubricated by a qualified person after every 1000 hours of use.
- 4) Regularly inspect the cord & plug & do not use if damaged. A licensed electrician is required to repair or replace the cord & plug.
- 5) Any other repairs or maintenance must be performed by a qualified person.