



MODEL PREL

MAG MxF Brass Pressure Relief Valve Installation Guide

INSTALLATION INSTRUCTIONS :

1. Ensure the pipe work is free of pressure and any debris.
2. Apply thread sealing tape to the mounting thread.
3. Make sure that the thread tape does not cover the inlet orifice.
4. Screw the relief valve into the pipe work with a suitable spanner. The thread is BSP.
5. Start the process and check for leaks.

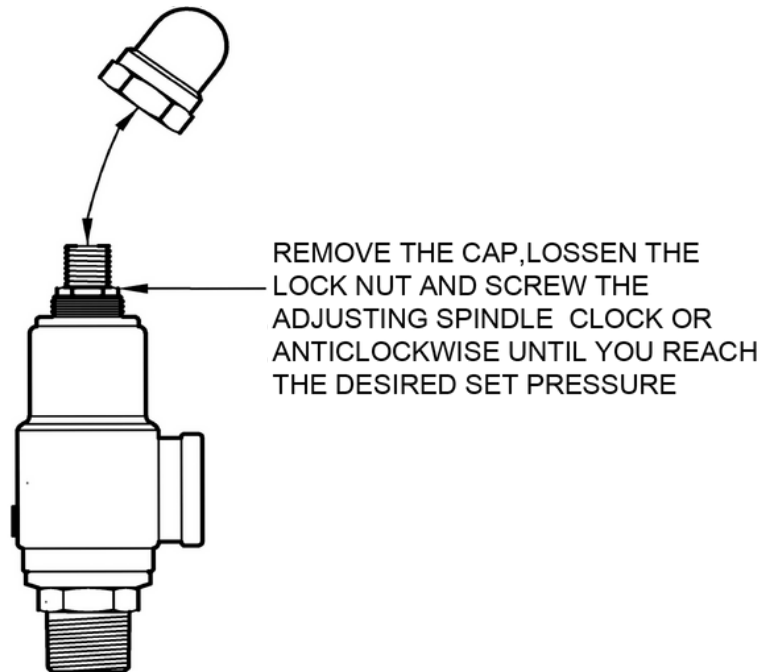
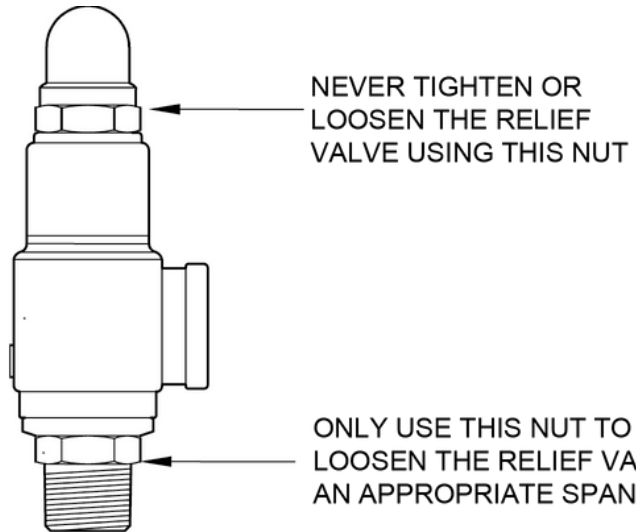
TO ADJUST THE PRESSURE SETTING:

1. The relief valve has a factory set pressure, please refer to the data sheet.
2. Before doing any adjustment, ensure that the inlet pressure is less than 15% of the desired set pressure..
3. Remove the top cover to expose the adjusting spindle and locking nut.
4. Loosen the locking nut.
5. Screw the adjusting spindle clock or anticlockwise until the desired set pressure is achieved.
6. Make sure the outlet of the relief valve is facing away from you when doing any adjustments.
7. Always use a pressure gauge to indicate the set pressure.
8. Tighten the locknut when the desired pressure is achieved.

MAINTENANCE INSTRUCTIONS:

Before removing the relief valve, ensure the pressure has been removed from the pipework. Unscrew the relief valve using an appropriate spanner on the lower nut. Remove the top cap and mark the location of the adjusting spindle. Loosen the locking nut and unscrew the spindle. Check the plunger and the valve seat for and damage or debris. Remove the debris by washing in clean water or using compressed air to clean out the valve. Reassemble in reverse and then test the relief valve.

NOTICE: Annual inspection and maintenance is required of all plumbing system components. To ensure proper performance and maximum life, this product must be subject to regular inspection, testing and cleaning.



CAUTION: Anytime a relief valve is adjusted, a pressure gauge must be used to verify the correct pressure setting. Tighten the locking nut when the desired pressure is achieved. Always adjust the relief valve with the outlet facing away from you. Never remove the relief valve when the pipe work is under pressure.