

# Product Information

Mirror Type	Face Type	Order Code	Description	Fixing	Bracket Type	Distance Guide*
-------------	-----------	------------	-------------	--------	--------------	-----------------

## Premium Indoor

800	Acrylic	6180	800mm Round	Wall or 60mm post	5	To 25m
600	Acrylic	6170	600mm Round	Wall or 60mm post	5	To 20m
450	Acrylic	6160	450mm Round	Wall or 60mm post	4	To 15m
300	Acrylic	6150	300mm Round	Wall or 60mm post	3	To 8m

## Standard Indoor

760	Acrylic	6270	760mm Round	Wall or Ceiling	2	Over 12m
600	Acrylic	6260	600mm Round	Wall or Ceiling	2	To 12m
450	Acrylic	6250	450mm Round	Wall or Ceiling	2	To 8m
300	Acrylic	6245	300mm Round	Wall or Ceiling	2	To 6m

## Economy Indoor

760	Acrylic	6373	760mm Round	Wall or Ceiling	1	Over 12m
600	Acrylic	6370	600mm Round	Wall or Ceiling	1	To 12m
450	Acrylic	6372	450mm Round	Wall or Ceiling	1	To 8m
300	Acrylic	6374	300mm Round	Wall or Ceiling	1	To 6m
305	Acrylic	6375	300 x 500mm Rectangular	Wall or Ceiling	1	To 8m

## Domes Indoor

Viewing distance measured viewer to mirror only.

D-900	Acrylic	6398	Full Dome 900mm	Ceiling	Direct to ceiling	To 10m
D-600	Acrylic	6397	Full Dome 600mm	Ceiling	Direct to ceiling	To 5m
D-450	Acrylic	6393	Half Dome 900 x 450mm	Wall	Direct to wall	To 10m
D-360	Acrylic	6392	Half Dome 600 x 300mm	Wall	Direct to wall	To 5m
D450BK	Acrylic	6393BK	Half Dome 900 x 450mm	Wall or Pallet racking	1	To 10m
D-270	Acrylic	6394	Corner Dome 450 x 450 mm	Corner	Direct to corner	To 10m
D-180	Acrylic	6395	Corner Dome 300 x 300mm	Corner	Direct to corner	To 5m

## Premium Outdoor

SS-1000	Stainless Steel	6424P	1060mm Round with Visor	50, 60 or 76mm Post	7 or opt. 6	See note 1.
SS-800	Stainless Steel	6422P	840mm Round with Visor	50, 60 or 76mm Post	7 or opt. 6	See note 1.
SS-600	Stainless Steel	6421P	630mm Round with Visor	50, 60 or 76mm Post	7 or opt. 6	See note 1.
SS-655	Stainless Steel	6423P	650 x 500mm Rectangular	50, 60 or 76mm Post	7 or opt. 6	See note 1.
SS-450	Stainless Steel	6418	470mm Round	Wall or 60mm Post	4	To 20m
SS-300	Stainless Steel	6419	310mm Round	Wall or 60mm Post	3	To 15m
SS-23	Stainless Steel	6420	230 x 320mm Rectangular	Wall or 60mm Post	3	To 12m

## Standard Outdoor

X-1000	Acrylic	6495P	1000mm Round with Visor	50, 60 or 76mm Post	7 or opt. 6	See note 1.
X-800	Acrylic	6490P	800mm Round with Visor	50, 60 or 76mm Post	7 or opt. 6	See note 1.
X-600	Acrylic	6485P	600mm Round with Visor	50, 60 or 76mm Post	7 or opt. 6	See note 1.

## Economy Outdoor

B-1000	Acrylic	6360W	1000mm Round	Wall	6 or 7 at extra cost	Over 25m
B-800	Acrylic	6355W	800mm Round	Wall	6 or 7 at extra cost	To 25m
B-600	Acrylic	6350W	600mm Round	Wall	6 or 7 at extra cost	To 20m
B-655	Acrylic	6365W	650 x 500mm Rectangular	Wall	6 or 7 at extra cost	To 20m
B-450	Acrylic	6340	450mm Round	Wall	6 or 7 at extra cost	To 15m
B-300	Acrylic	6330	300mm Round	Wall	2	To 8m

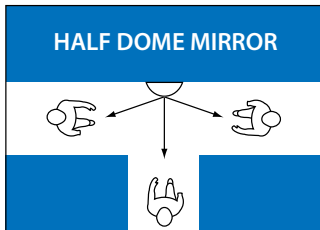
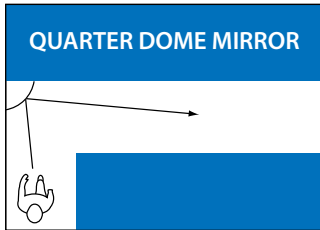
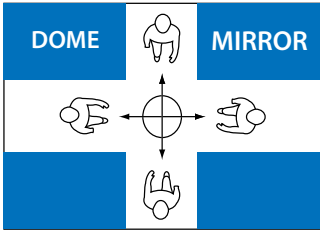
Specifications subject to change without notice

<b>Best Distance*</b>	Measured by adding the distance from viewer to mirror, and mirror to subject being viewed. Distances are an indication only – most mirrors provide satisfactory service well beyond this range.
<b>Note 1</b>	Distance guide for traffic mirrors depends on the need to be noticed, area coverage required and the speed of the traffic. A larger mirror helps reduce reaction time.
<b>Domes</b>	Measured viewer to mirror only.

# Dome Mirrors

## Dome Mirrors

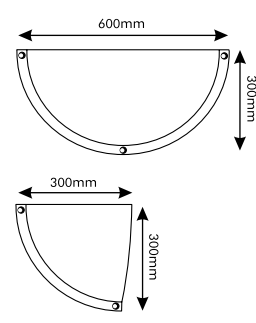
Dome Mirrors are highly versatile, lightweight alternative mirrors for indoor applications, where general surveillance of a specific area is required, or when central observation is preferred. Domes provide a broader coverage than standard mirrors and are suited for applications at corners, four-way intersections or t-intersections.



**04 Full Dome**  
Full domes may be suspended on chains or fastened to ceiling and provide a 360° view.



**04 Half & Corner Domes**  
Half domes provide a 180° view and corner domes a 90° view.



# Safety Security Surveillance

**SAFE-T-VIEW**  
CONVEX MIRRORS



# Indoor Mirrors

## Indoor Mirrors

Valuable goods shielded from view by partitions and shelving become an easy target. Convex mirrors help to stop theft and prevent vandalism. Their presence alone is a powerful deterrent. Your field of vision is extended to a much broader area.

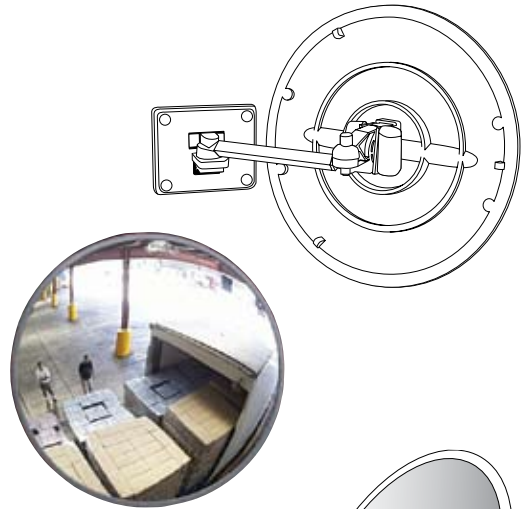
### You are in Control.

At blind corners and corridor intersections, in hospitals, schools, factories and offices, wherever busy people come and go – there is a risk of collision and injury. Convex mirrors help prevent accidents. They let you see around corners and over obstacles. You check the way is clear and proceed with confidence. SAFE-T-VIEW Indoor Convex Mirrors are inexpensive, lightweight and easy to install. As an aid to safety or as a security device, a convex mirror will protect property and people effectively and economically.

- impact resistant, long life acrylic face.
- Simple fixing in minutes.
- Easy adjustment at any time.
- No maintenance required.
- Single outlay, long term benefit.

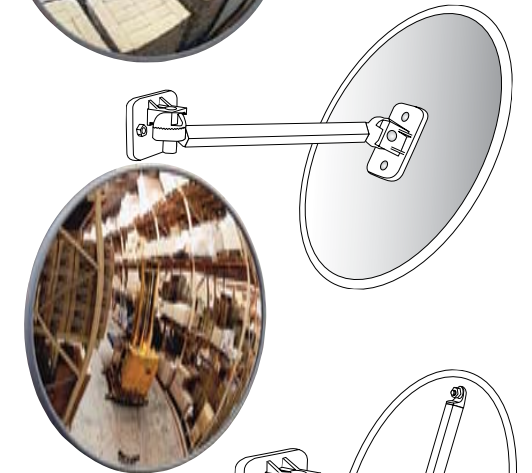
### 01 Premium Indoor

A strong, wide-angle mirror with impact-resistant acrylic face and weather proof back. The 3 pivot bracket system is ideally suited for rolladour and layflat applications, previously difficult to achieve. Security caps cover fixings. Supplied with fixings for masonry and 60mm post.



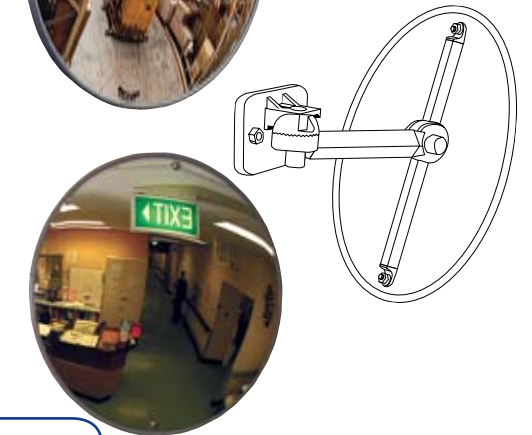
### 02 Standard Indoor

A robust, lightweight mirror with acrylic face, fully covered back and 2 pivot bracket is the obvious choice for retail, commercial and light industrial applications. Easy to install and adjust with non-slip joints.



### 03 Economy Indoor

A lightweight indoor mirror for commercial, retail and institutional use. 2 pivot and sliding bracket design combine functionality and lowest cost.



## Safety Security Surveillance

**SAFE-T-VIEW**  
CONVEX MIRRORS



# Outdoor Mirrors

## Outdoor Mirrors

Improve safety and protect your property with industrial quality Safe-T-View Convex Mirrors. At intersections with poor visibility, sharp bends, obscured entry-exit locations, carparks and where heavy trucks or forklifts are in operation, the risk of property damage or serious personal injury is heightened. Convex mirrors help prevent accidents by extending the field of vision of drivers and pedestrians. SAFE-T-VIEW outdoor mirrors are widely accepted by municipal councils, railways, mining companies and heavy industry. Less convex than indoor mirrors to provide a larger image, essential for road and traffic safety (Premium and Standard outdoor).

- Orange visor and surround calls attention to the mirror (Premium and Standard outdoor)
- Convex shape prevents dazzling glare.
- Extremely durable, weatherproof construction.
- Low-cost, no-maintenance solution to improved safety.

### 05 Premium Outdoor

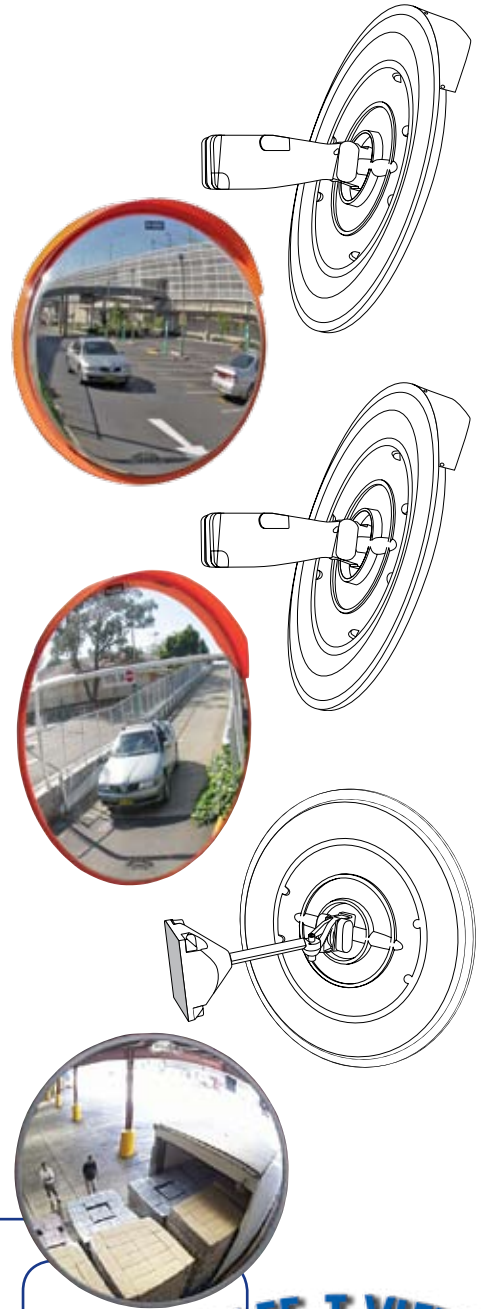
With a mirror polished stainless steel face and high visibility orange visor, mounted with extremely robust post bracket, this almost unbreakable, all weather mirror is suitable for road and rail safety, mining applications and isolated locations where vandalism may be a problem. Security caps cover fixings. Supplied with fixings.

### 06 Standard Outdoor

An extremely durable all weather mirror suitable for road and pedestrian traffic applications, distribution depots and parking areas. Impact resistant acrylic face with high visibility orange visor and extremely robust post bracket. Security caps over fixings.

### 07 Economy Outdoor

Strong industrial wide-angle mirror with impact resistant acrylic face, weatherproof back, wall mounted with security capped fixings. Ideal for factories, warehouses and carparks.

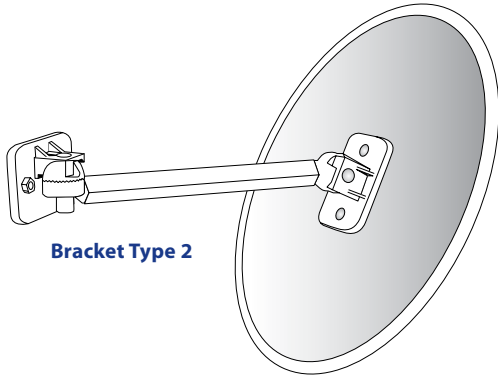


## Safety Security Surveillance

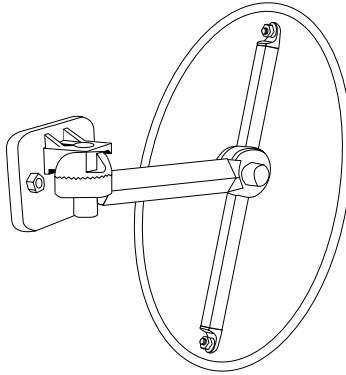
**SAFE-T-VIEW**  
CONVEX MIRRORS



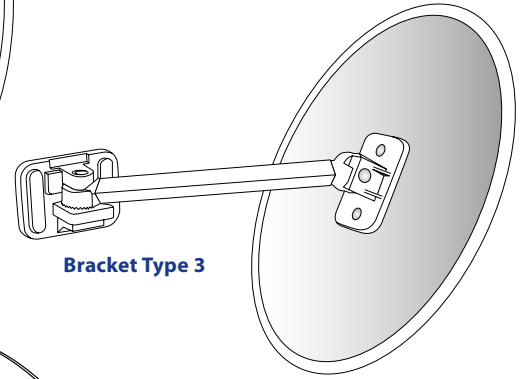
# Bracket Configurations



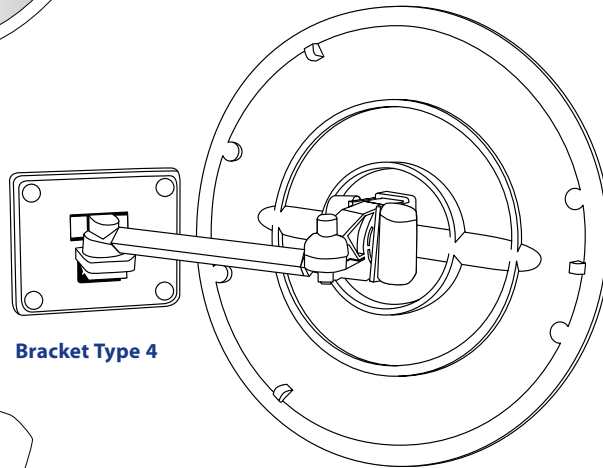
Bracket Type 2



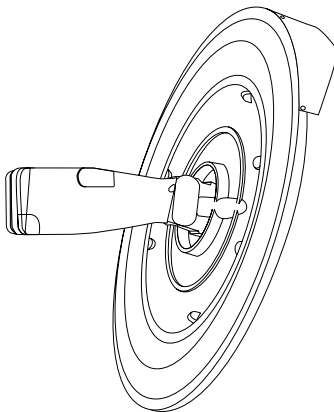
Bracket Type 1



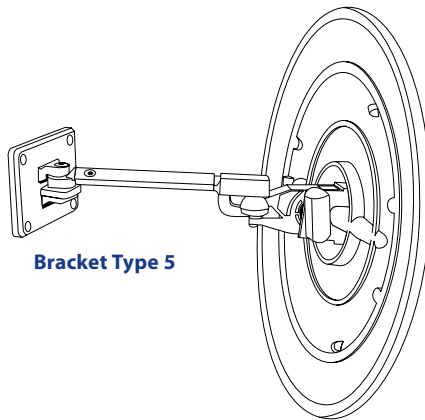
Bracket Type 3



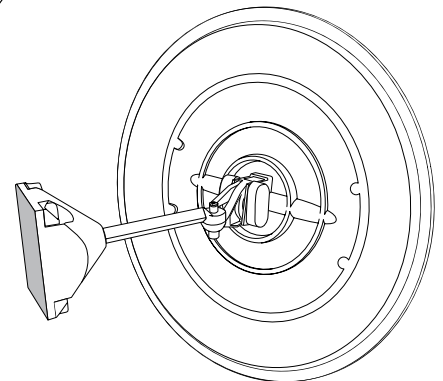
Bracket Type 4



Bracket Type 7



Bracket Type 5



Bracket Type 6

**SAFE-T-VIEW**  
**CONVEX MIRRORS**

Freecall 1800 222 999

Phone: 61 2 9905 5199 Fax: 61 2 9905 0211

Email: [sales@safe-t-view.com.au](mailto:sales@safe-t-view.com.au) Web: [www.safe-t-view.com.au](http://www.safe-t-view.com.au)

R. E Mandl + Co Pty Ltd ABN 61 000 426 871