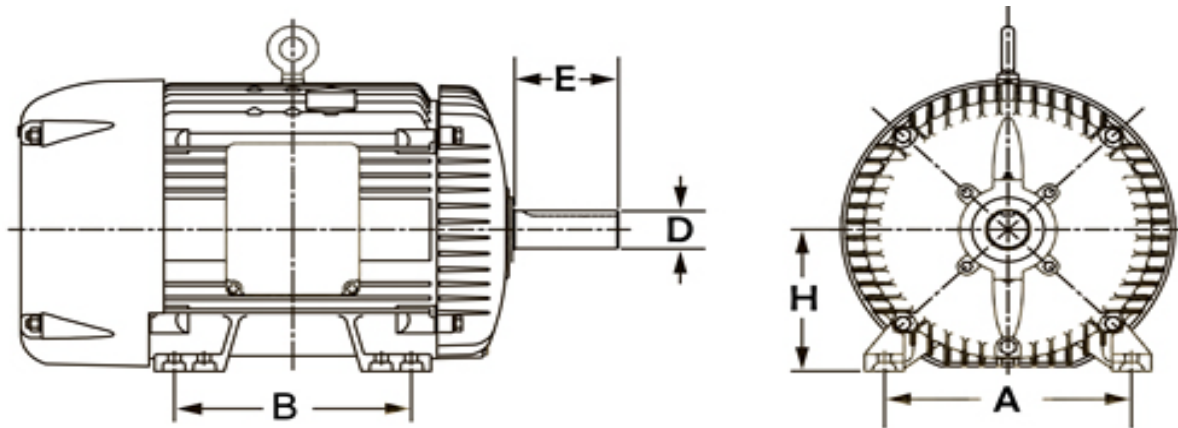


IEC MOTOR FRAME CHART



Frame Size	A	B	H	D	E
63	100 mm	80 mm	63 mm	11 mm	23 mm
71	112 mm	90 mm	71 mm	14 mm	30 mm
80	125 mm	100 mm	80 mm	19 mm	40 mm
90S 90L	140 mm	100 mm 125 mm	90 mm	24 mm	50 mm
100S 100L	160 mm	112 mm 140 mm	100 mm	28 mm	60 mm
112S 112M	190 mm	114 mm 140 mm	112 mm	28 mm	60 mm
132S 132M	216 mm	140 mm 178 mm	132 mm	38 mm	80 mm
160M 160L	254 mm	210 mm 254 mm	160 mm	42 mm	110 mm
180M 180L	279 mm	241 mm 279 mm	180 mm	48 mm	110 mm
200L 200M	318 mm	267 mm 305 mm	200 mm	55 mm	110 mm
225S 225M	356 mm	286 mm 311 mm	225 mm	60 mm	140 mm
250S 250M	406 mm	311 mm 349 mm	250 mm	70 mm	140 mm
280S 280M	457 mm	368 mm 419 mm	280 mm	80 mm	170 mm
315S 315M	508 mm	406 mm 457 mm	315 mm	85 mm	170 mm
355S 355L	610 mm	500 mm 630 mm	355 mm	85 mm	170 mm