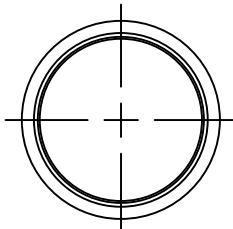
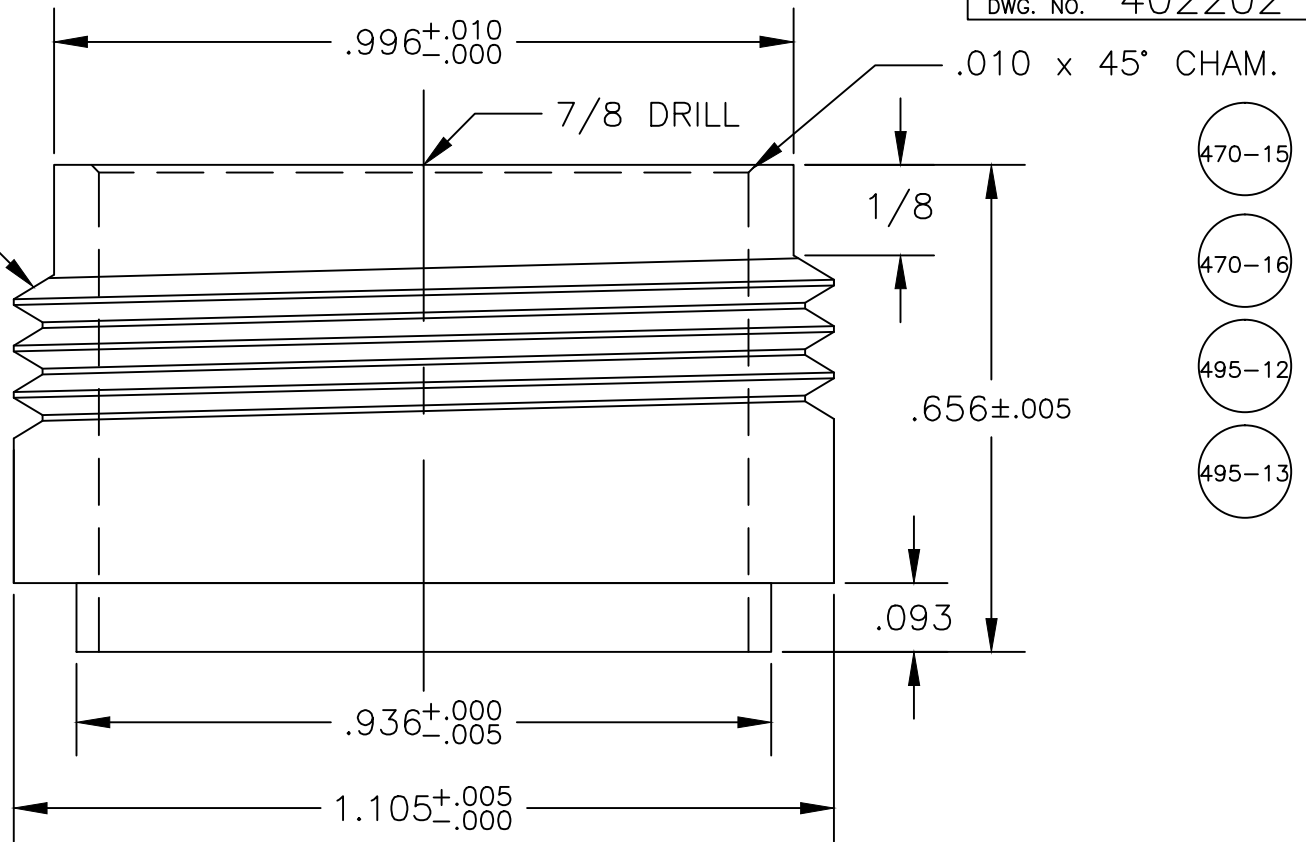


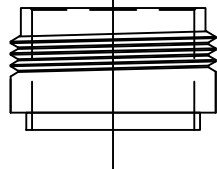
DWG. NO. 402202

1 1/8-12 N.F.
3 FULL TURNS
MIN. ON GO GAGE.

PD 1.0709
1.0653



ACTUAL SIZE



THIS DRAWING, INCLUDING ALL INFORMATION THEREON, IS THE PROPERTY OF THE DUTTON-LAINSON COMPANY. IT IS PROVIDED CONFIDENTIALLY AND MUST BE RETURNED ON REQUEST. ANY UNAUTHORIZED USE, COPYING BY ANY MEANS, OR DISCLOSURE IS EXPRESSLY PROHIBITED WITHOUT THE PRIOR WRITTEN CONSENT OF THE DUTTON-LAINSON COMPANY.

LET	CHANGE	DATE	BY	SCALE 4 x SIZE	LIMITS ON DIMENSIONS UNLESS OTHERWISE SHOWN.
L	REDRAWN IN AUTOCAD.	11-8 07	NR	DR. NLR CK.	FRACTIONAL $\pm 1/64$, DECIMAL $\pm .005$ ANGULAR $\pm 1/2^\circ$
M	REMOVED NOTE 1, & REVISED MAT'L SPEC'S.	9-10 08	NR	DUTTON-LAINSON COMPANY-MFG. DIV. HASTINGS, NEBRASKA ©2007	
				ATTACHMENT HOOP	
				MATERIAL 1 1/8" OD RND. 2011-T3 ALUM BAR	
				DATE 1-15-64	DWG. NO. 402202
					LATEST CH. M