

# Bearings – JAK/IJK



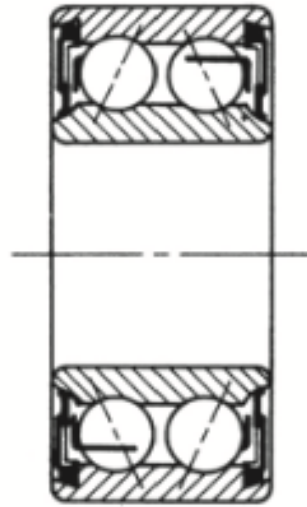




## JAF & IJK Bearings

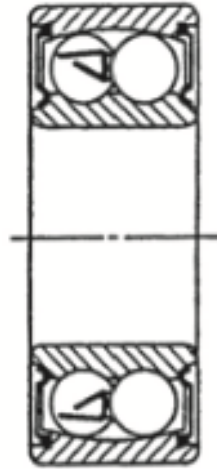
JAF Angular Contact Bearings 5200 - 5300 Series .....	8.3.4
JAF Angular Contact Bearings 2200 Series.....	8.3.5
IJK Angular Contact Bearings 5200 Series .....	8.3.6
IJK Self Aligning Bearings 1200 - 1300 Series.....	8.3.7
IJK Self Aligning Bearings 2200 - 2300 Series .....	8.3.8

# JAF Angular Contact Bearings 5200 - 5300 Series

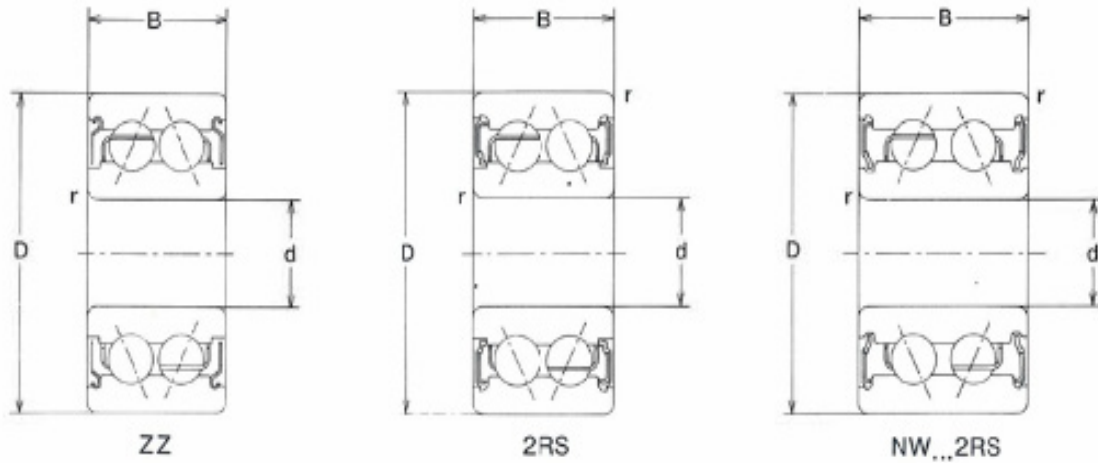


Bearing number	Dimensions				Limiting speed(r.p.m)	Load rating(kgf)		Weight (kg)
	Bore	O.D	Width	Chamfer		Cr	Cor	
5207-2RS	35	72	27	2	5500	3100	2400	0.43
5208-2RS	40	80	30.2	2	5000	3600	2880	0.57
5209-2RS	45	85	30.2	2	4500	4100	3300	0.62
5210-2RS	50	90	30.2	2	4100	4300	3800	0.67
5211-2RS	55	100	33.3	2.5	3800	5500	4600	0.97
5302-2RS	15	42	19	1.5	10000	1300	830	0.155
5303-2RS	17	47	22.2	1.5	9000	1900	1250	0.19
5304-2RS	20	52	22.2	2	8000	2000	1260	0.21
5305-2RS	25	62	25.4	2	6600	2700	1800	0.35
5306-2RS	30	72	30.2	2	5500	4000	2800	0.55
5307-2RS	35	80	34.9	2.5	5000	5100	3500	0.71
5308-2RS	40	90	36.5	2.5	4400	5700	4200	1.05

Bearing number	Dimensions				Limiting speed(r.p.m)	Load rating(kgf)		Weight (kg)
	Bore	O.D	Width	Chamfer		Cr	Cor	
5207ZZ	35	1.3780	72	2.8346	27.0	1-1/16	2.0	0.57
5208ZZ	40	1.5748	80	3.1496	30.2	1-3/16	2.0	0.57
5209ZZ	45	1.7717	85	3.3465	30.2	1-3/16	2.0	0.62
5211ZZ	55	2.1654	100	3.9370	33.3	1-5/16	2.5	0.87
5306ZZ	30	1.1811	80	2.8346	34.9	1-3/8	2.5	0.79
5307ZZ	35	1.3780	90	3.1496	36.5	1-7/16	2.5	1.05



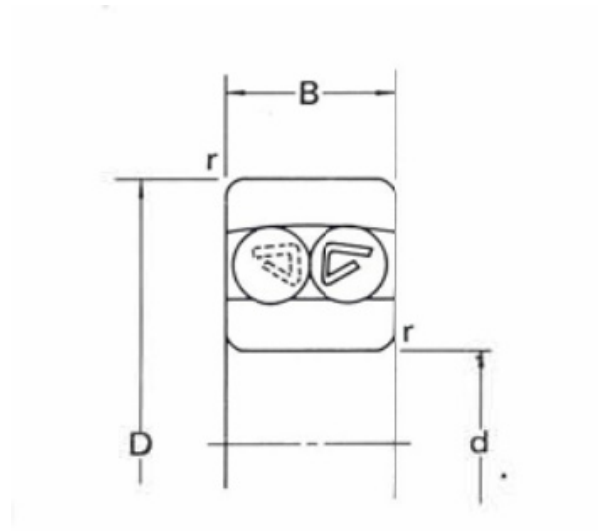
Bearing number	Dimensions				Limiting speed(r.p.m)	Load rating(kgf)		Weight (kg)
	Bore	O.D	Width	Chamfer		Cr	Cor	
2200-2RS	10	30	14	1	14,000	540	120	0.050
2201-2RS	12	32	14	1	13,000	560	130	0.055
2202-2RS	15	35	14	1	11,000	750	180	0.060
2203-2RS	17	40	16	1	10,500	800	200	0.098
2204-2RS	20	47	18	1.5	9,000	1,000	265	0.145
2205-2RS	25	52	18	1.5	7,700	1,220	330	0.165
2206-2RS	30	62	20	1.5	6,400	1,560	475	0.265
2207-2RS	35	72	23	2	5,500	1,600	525	0.420
2208-2RS	40	80	23	2	5,000	1,950	660	0.510
2209-2RS	45	85	23	2	4,600	2,200	740	0.550
2305-2RS	25	62	24	2	6,500	1,800	500	0.330
2306-2RS	30	72	27	2	5,600	2,150	640	0.500



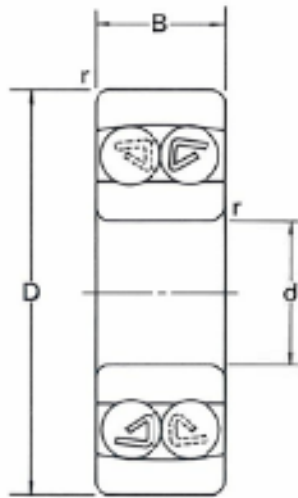
BEARING NUMBER	Bore	O.D	WIDTH	CHAMFER	BALLS		LOAD RATING	
	d	D	B	r(min)	NO.	SIZE	DYNAMIC	STATIC
							C(kgf)/(ibf)	CO(kgf)/(ibf)
5200	10	30	14.3	0.6	14	4.762	730	400
5201	12	32	15.9	0.6	14	5.953	1070	590
5202	15	35	15.9	0.6	14	5.953	1190	715
5202	15	35	15.9	0.6	14	5.953	1190	715
5203	17	40	17.5	0.6	18	5.55	1170	765
5203	17	40	17.5	0.6	18	5.55	1170	765
5204	20	47	20.6	1	16	7.9	2000	1270
5204	20	47	20.6	1	16	7.9	2000	1270
5205	25	52	20.6	1	18	7.9	2170	1500
5205	25	52	20.6	1	18	7.9	2170	1500
5206	30	62	23.8	1	18	9.5	3000	2150
5206	30	62	23.8	1	18	9.5	3000	2150

Stocked in both 2RS and ZZ

ALSO STOCKING
5302ZZ
5303ZZ
5304
5304ZZ
5305
5305ZZ



BEARING NUMBER	Bore	O.D	WIDTH	CHAMFER	BALLS		LOAD RATING	
	d	D	B	r(min)	NO.	SIZE	DYNAMIC	STATIC
							C(kgf)/(ibf)	CO(kgf)/(ibf)
1200	10	30	9	0.6	18	4.762	570	121
1201	12	32	10	0.6	20	4.7	580	130
1202	15	35	11	0.6	20	5.55	775	179
1203	17	40	12	0.6	24	5.55	815	205
1204	20	47	14	1	24	6.35	1020	266
1205	25	52	15	1	24	7.14	1250	335
1205	25	52	15	1	24	7.14	1250	335
1303	17	47	14	1	22	7.44	1300	325
1304	20	52	15	1	24	7.44	1280	340



BEARING NUMBER	Bore	O.D	WIDTH	CHAMFER	BALLS		LOAD RATING	
	d	D	B	r(min)	NO.	SIZE	DYNAMIC	STATIC
							C(kgf)/(ibf)	CO(kgf)/(ibf)
2200-2RS	10	30	14	0.6	18	5.55	760	162
2201-2RS	12	32	14	0.6	20	5.55	790	177
2202-2RS	15	35	14	0.6	22	5.55	795	188
2203-2RS	17	40	16	0.6	22	6.35	1010	247
2204-2RS	20	47	18	1.1	24	7.44	1310	340
2204-2RS	20	47	18	1.1	24	7.44	1310	340
2205-2RS	25	52	18	1	26	7.144	1270	350
2205-2RS	25	52	18	1	26	7.144	1270	350
2206-2RS	30	62	20	1	28	7.938	1560	460
2300-2RS	10	35	17	0.6	18	6.35	953	205
2301-2RS	12	37	17	1	18	7.144	1240	278
2302-2RS	15	42	17	1.1	20	7.144	1250	296
2303-2RS	17	47	19	1.1	20	7.93	1500	365
2304-2RS	20	52	21	1.1	22	8.73	1880	480
2305-2RS	25	62	24	1.5	22	10.31	2520	675